

American Standard

Product Catalogue 2023



American Standard

LIFE.LOVE.HOME



Contents

Introduction

LIFE.LOVE.HOME	5
Our Heritage	6
Our Brand Pillars	8
Brand Values	11
Signature Elements	12
Our Awards	14
Key Technologies	16
New Products	20
Style Segmentations	22

Bathroom Collections

City	24
Acacia SupaSleek	28
Acacia Evolution	34
KASTELLO	50
Signature	60
Milano	68
Concept Nuovo	78
Flexio	98
Neo Modern	104
Compact Codie	112
Cadet	122
Winston	130

Product Categories

EasyFlow	138
Loven	140
Toilets	142
Spalet	142
Wash Basins	166
Thermostat & Showers	184
Bathtubs	198
Accessories	204
Commercial	209
Kitchen Faucets	225
Project References	228



LIFE.LOVE.HOME

We are passionate about improving the standard of living in ways big and small. We care about every moment, every detail, to transform your living space to make **life** better.

It all starts with understanding those who will use our products. We empathize with them, then we craft around them. We want people to appreciate the small moments and enjoy the time they spend with those they care about most.

We've been improving **homes** around the world, designing purposeful bathroom and kitchen products for over a century. We want to inspire people to create a **home** they will **love** every day.

American Standard. **Life. Love. Home.**

Our heritage

1875

"Standard"
PLUMBING FIXTURES

James Arnott and Francis Torrance start Standard Manufacturing.

1934

**AMERICAN
RADIATOR**
&
**Standard
Sanitary
CORPORATION**

American Radiator & Standard Sanitary Corporation merge.

1950



Name shortened to American Standard.

2016



HygieneClean™ System utilises multiple technologies, to ensure ultimate hygiene protection.

2018/19

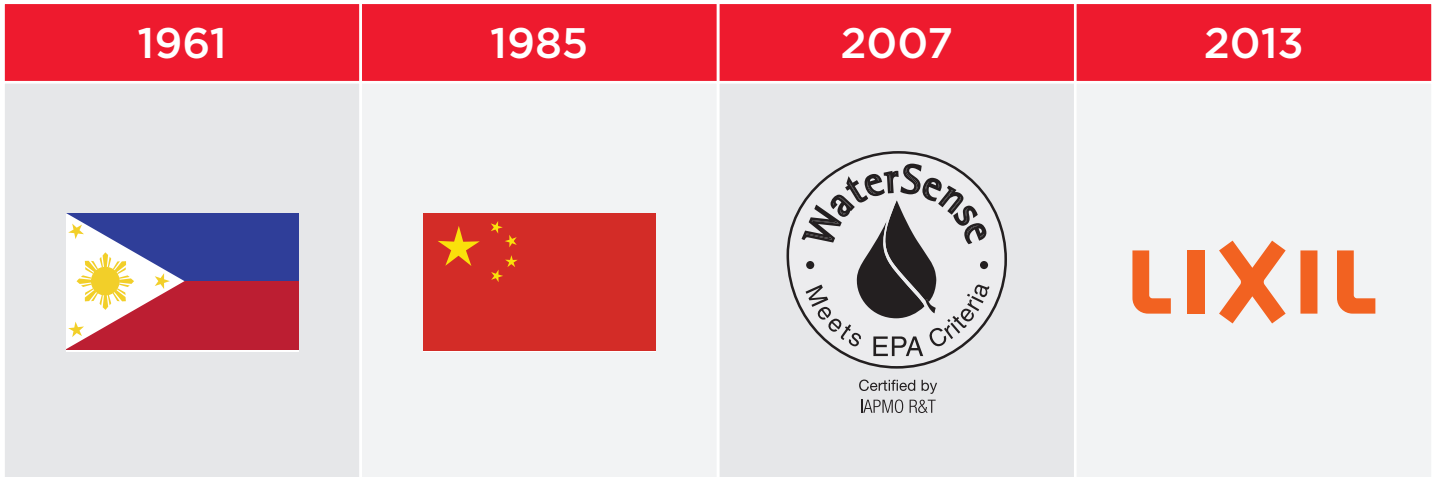


GENIE™ is a specially engineered pressure-boosting hand shower that delivers a strong water pressure that is also gentle on the skin.

2019



EasySET™ Exposed Auto Temperature Mixer allows you to enjoy an uninterrupted shower experience at the right temperature and water volume with just a push of a button and a turn of the dial.



Entry to Asia Pacific Market: 1st American Standard Factory in Philippines.

American Standard establishes its first factory in China as one of the first sanitary ware brands to enter the market.

All faucets are lead-free, and WaterSense certified.

LIXIL Group purchases American Standard Brands.



Purposefully designed with an easy push on/off button, the EasyFLO™ Collection is especially handy when needing to turn water on with dirty or soapy hands!

American Standard launches the Reference Line, introducing the brand's signature elements.

DuoSTiX™ Hygiene Spray is a multipurpose spray that is both gentle on the skin and thorough on bathroom stains.

American Standard reveals its unified brand identity, bringing global consistency to its brand expression.

Our brand pillars



Trusted

A heritage of quality and experience consumers depend on.

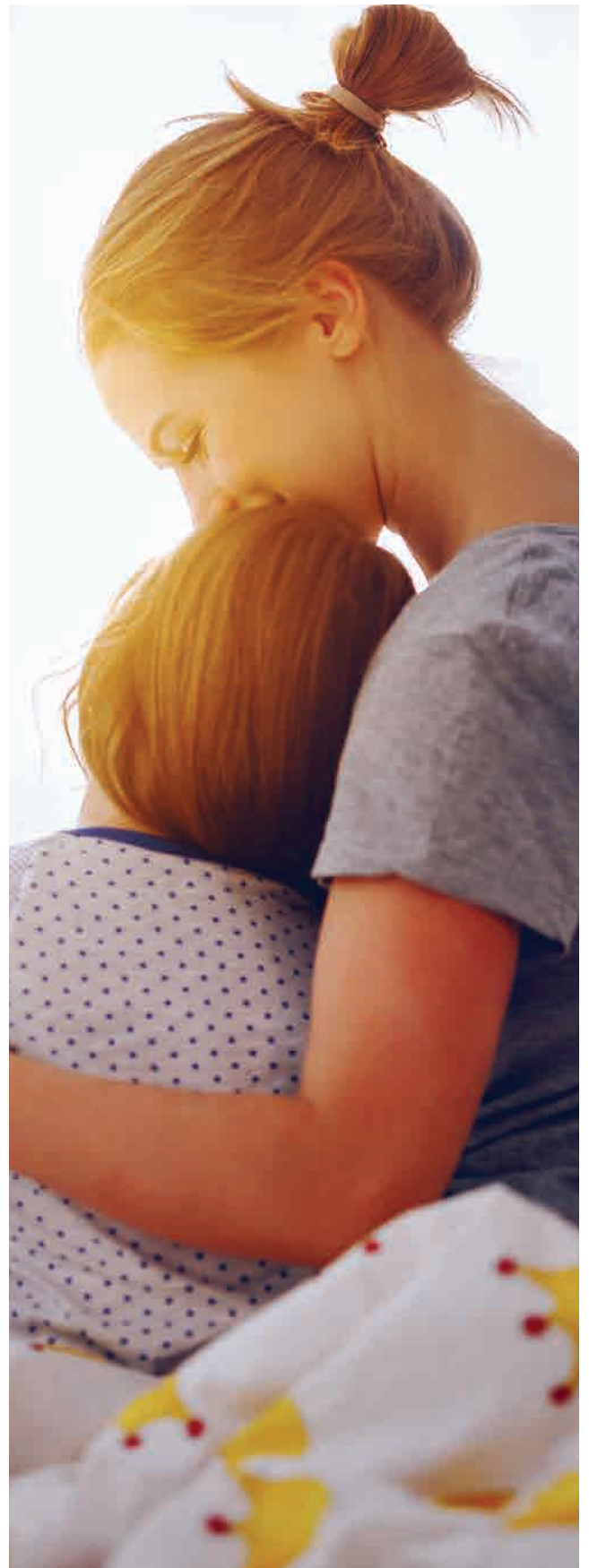
Progressive

A connection to the American spirit of building for better.



User-centric

A relentless focus on making things simple for people.



Caring

A mindfulness for our craft, and our planet.



INVITING STYLE

We believe every function deserves a well-designed form. Our products offer style that is personal, approachable and satisfying. It's style that fits perfectly into your life.



PURPOSEFUL FUNCTION

Our products are designed to make life healthier, safer, easier and more beautiful, while contributing to the efficient use of water and the sustainable development of society.



SUPERIOR PERFORMANCE

For the past 140 years, American Standard has set and reset the standard for products that work and how. We build worry-free performance into every product we make.



BUILT TO LAST

From the materials we use to the care we put into building them, our products are made to stand the test of time. It's quality you can depend on today and be confident in for a lifetime.

Industry
recognition





GOOD DESIGN AWARD 2019 ASIA DESIGN PRIZE 2020 WINNER

EasyFLO™ Faucet



ASIA DESIGN PRIZE 2020 WINNER

Signature™ Fittings



GOOD DESIGN AWARD 2019 BEST 100 reddot design award winner 2018 SINGAPORE GOOD DESIGN 2019 PLATINUM WINNER

GENIE™ Hand Shower



ASIA DESIGN PRIZE 2019 WINNER MERRIT AWARD 2017

EasySET™ Concealed



reddot design award winner 2019 ASIA DESIGN PRIZE 2020 WINNER

EasySET™ Exposed Auto Temperature Mixer



ASIA DESIGN PRIZE 2021 GOLD WINNER

Neo Modern L-Bend Mixer



ASIA DESIGN PRIZE 2021 GOLD WINNER

Acacia Supasleek Square Wall Hung Toilet



ASIA DESIGN PRIZE 2021 GOLD WINNER

City Toilet Wall-Hung



ASIA DESIGN PRIZE 2019 WINNER

Slim Smart Washer 3



reddot winner 2022 ASIA DESIGN PRIZE 2022 GOLD WINNER

DuoSTiX™ Hygiene Spray



ASIA DESIGN PRIZE 2019 WINNER SINGAPORE GOOD DESIGN 2019

City Best Vanity Set



ASIA DESIGN PRIZE 2021 GOLD WINNER

SpaceMaster

Key technologies



Everything we do stem from our desire to deliver real everyday solutions that improve living in and around the bathroom and bring value to both consumers and commercial partners.

Toilet Technologies

HygieneClean System



DOUBLE VORTEX

Maximum flushing performance, minimum water usage.



POWER RIM

Combined with our advanced flushing technology, this rim design eliminates hard-to-reach surfaces for an effective removal of dirt and stains.



AQUA CERAMIC

Super hydrophilic technology prevents dirt and dark ring stains from sticking to ceramic surface.



SIPHONMAX

Dynamic vacuum mechanism with side water jets create a powerful swirl to evacuate both heavy and light waste.



HYGIENE RIM

Truly rimless, cleaned in just one swipe.



COMFORTCLEAN

Effectively kills E.coli bacteria according to tests done with IMSL.

Spalet Technologies

Advanced Cleansing



DUAL NOZZLES

Equipped with dedicated front and rear cleansing nozzles.



POSTERIOR CLEANSING

Offers a strong, direct spray for a thorough cleanse.



FEMININE AIR BUBBLE SOFT CLEANSING

A gentle flow of warm aerated water provides a soothing shower that is gentle enough for a woman's delicate areas.



ONE-TOUCH CLEANSING

Suitable for both elderly and children, one-touch cleansing activates the posterior/feminine cleansing & dryer functions consecutively at a touch of a button.

Comfort



INSTANT HEATING SYSTEM

Instant heating system offers instant and constant warm water for comfort.



HEATED SEAT

Temperature can be easily adjusted for comfort.



DRYER

Temperature can be easily adjusted for comfort. Computer-memorized settings allow one to keep the same settings as the previous user's.

Anti-Bacterial Protection



ANTIBACTERIAL PROTECTION

Uses antibacterial resin on seat, cover, nozzle and remote control. Certified to SIAA ISO 22196 standard for antibacterial efficacy (seat only).



Anti-bacterial protection is certified to SIAA ISO 22196 standard.

Fittings Technologies

Safety



THERMOSAFE

Safety temperature control up to 49°C, with an auto shut-off function when cold water supply fails.



COOLSHIELD

Body of faucet stays cool and prevents scalding shocks.

Comfort



COMFORTMOVE

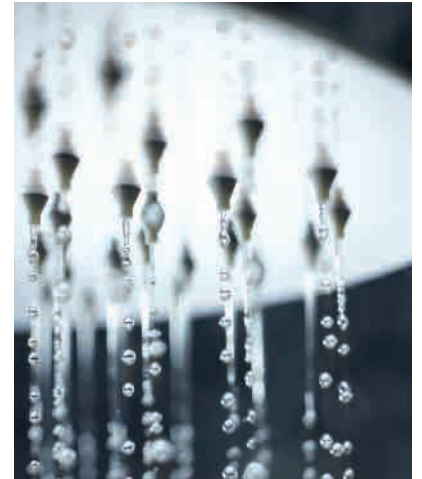
Smooth handle performance for optimal precision and comfort.



THERMOCOMFORT

Provides a constant and comfortable temperature.

Sustainability



LINE SENSOR

Unmatched sensor precision compared to a conventional sensor faucet.



CLICKMOVE

Provides 40% water savings with ease of control.



ECOSTART

Provides up to 30% energy savings.



AIRNERGIZE

Air-infused water provides a luxurious shower experience while using lesser water.

New products



| DuoStix Hygiene Spray

A dual cleanse spray that is both gentle on the skin and thorough on bathroom stains. Personal cleansing is all about gentle comfort. But when it comes to tough toilet stains, trust a stronger jet to do an all-out clean.

One hygienic spray for a gentle cleanse and a thorough clean.



Lifestyle segmentations





Classic

Classic users appreciate products that combine the aesthetics of the past with present day technology.

This nostalgic link to former periods brings with it an insinuation of quality and bespoke hand-crafted luxury. 'Real materials' with ornate detailing radiate an intricate and rich aesthetic, yet performance and elegance are important to this segment.



Transitional

Transitional users value established quality and styling that maintains both a nod to the past and a firm look to the future. With a preference for harmonious soft flowing lines and conventional aesthetics, they select materials for their honesty and rational performance.

This profile tends towards an informal, casual attitude with an appetite for purposeful comfort and balanced appearance.



Contemporary

Contemporary users are confident and positive about the future. They desire the latest technology and are fearless in exploring modern aesthetic trends. With a preference for sensual simplicity, they expect their products to balance design and functionality. A reduced expression of form allows emphasis of the material, quality, texture and detail.

Trends are often born within this segment, which tends to stretch the imagination.

City™



Transforming bathrooms into living spaces

Inspired by space constraints, City™ Collection is specially conceptualized for space maximization and effortless cleaning - perfect for your urban living lifestyle. Now, you can create more smart living spaces with multi-function storage compartments and transform your apartment into a cozy, comfortable, uncluttered and stylish home.

Modern



City
Wall hung toilet with
Concealed Tank
CL3119B-6DACTPY



City
Wall Hung Vanity 600mm
with Integrated Wash Basin
CVASCV60-SH1G801CO



City
Deck Mounted
Pull-Out Basin Mixer
FFAS4801-101500BCO



City

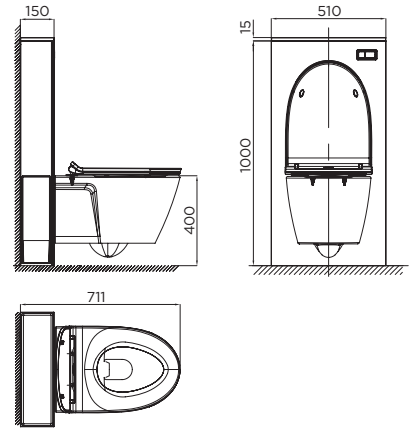
TOILETS



City
3/4.5lpf Double Vortex
Wall hung toilet

CL3119B-6DACTPTY (Bowl)
CL6151M-6D (CrystaSleek Seat Cover)
CCAS4119-0205010CO (Cistern)

L711 x W510 x H1000mm
Double Vortex with Power Rim
3/4.5 L Dual Flush
190mm, P-Trap
Elongated Bowl

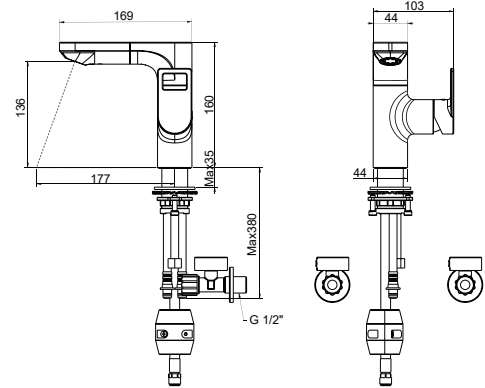


BASIN FAUCETS



City
Deck Mounted Pull-Out
Basin Mixer

FFAS4801-101500BC0



Acacia Supasleek™



Best of design and technology.
Just got sleeker.

Embodying the best of design and technology, Acacia Evolution™ is now Acacia Supasleek™. Now with thinner edges and sleeker lines, this collection elevates modern bathrooms into new heights of luxury.

Acacia Supasleek

Modern



**Acacia SupaSleek
Wall Hung toilet**

CL3119B-6DACTPT



**Acacia Supasleek
Vessel With Deck**

CCASF420-1010411FO



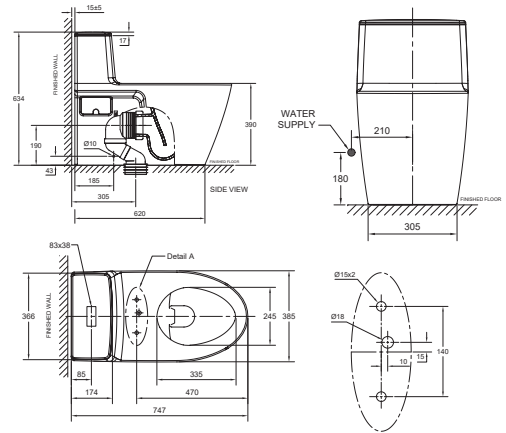
TOILETS



Acacia SupaSleek One-Piece Toilet

CL20075-6DACTCBT

L747 x W385 x H634 mm
 Double Vortex with Power Rim
 2.6/4L Dual Flush
 305 mm, S-Trap
 190 mm, P-Trap
 Elongated Bowl



Compatible with:
 Concealed Cisterns



Concealed Flush Valve



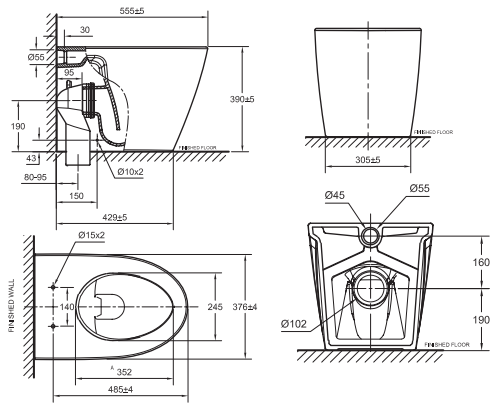
Acacia SupaSleek Back To Wall Toilet

**CL3229B-6DACTCB (Bowl)
 CL6151M-6D (CrystaSleek
 Seat Cover)**

L555 x W376 x H390mm
 Double Vortex with Power Rim
 3/4.5 L Dual Flush
 80-95 mm, S-Trap
 190 mm, P-Trap
 Elongated Bowl



(S Trap M11453 set to be ordered separately)



Compatible with:
 Concealed Cisterns



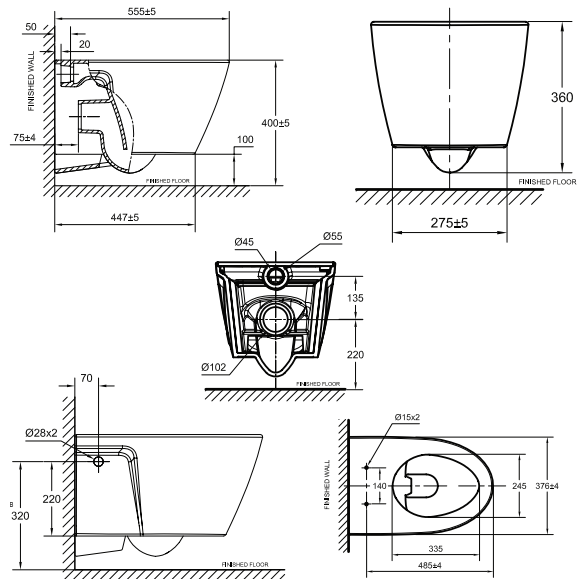
Concealed Flush Valve



Acacia SupaSleek Wall Hung Toilet

**CL3119B-6DACTPT (Bowl)
 CL6151M-6D (CrystaSleek
 Seat Cover)**

L555 x W376 x H360mm
 Double Vortex with Power Rim
 3/4.5L Dual Flush
 220mm, P-Trap
 Elongated Bowl



TOILETS

Compatible with:
Concealed Cisterns

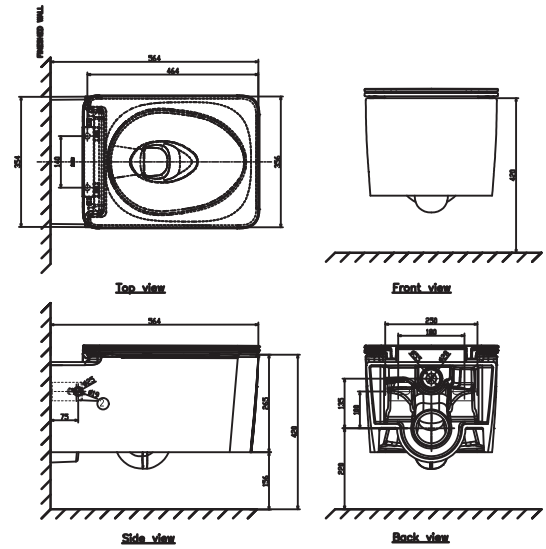
Concealed Flush Valve



Acacia SupaSleek Square Wall Hung Toilet

CCAS3120-5W20410F0 (Bowl)
CCASC120-U200410F0 (Seat & Cover)

L564 x W356 x H310 mm
Double Vortex, 3/4.5L
220m, P-Trap, Elongated bowl

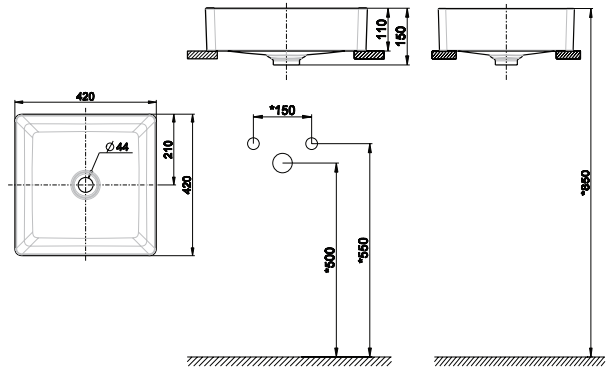


BASINS

Acacia SupaSleek 420mm Square Vessel

CCASF411-1000410F0

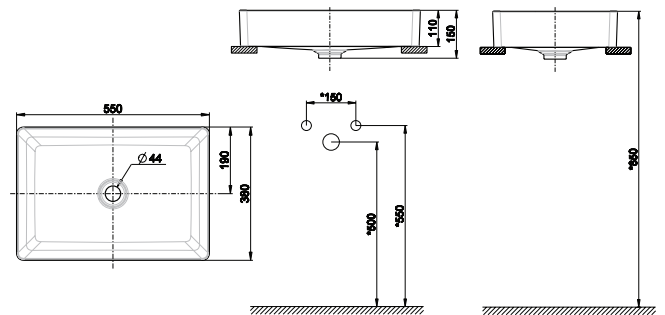
L420 x W420 x H110 mm



Acacia SupaSleek 550mm Vessel

CCASF412-1000410F0

L380 x W550 x H110 mm



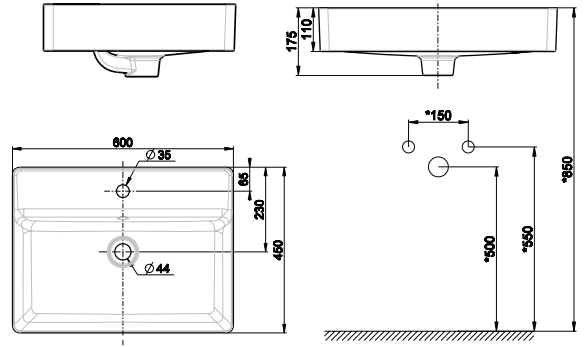
BASINS



Acacia SupaSleek
Vessel with Deck

CCASF420-1010411FO

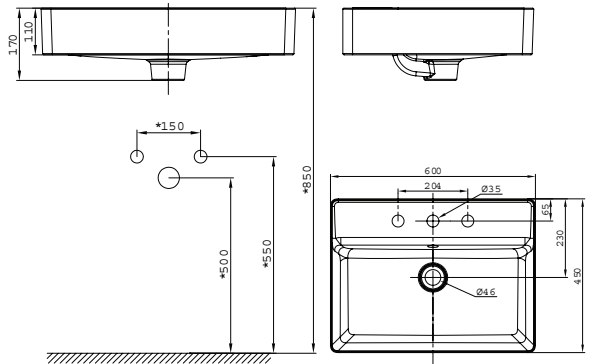
L450 x W600 x H110 mm



Acacia SupaSleek
Vessel with Deck
(3-Hole)

CCASF420-1080411FO

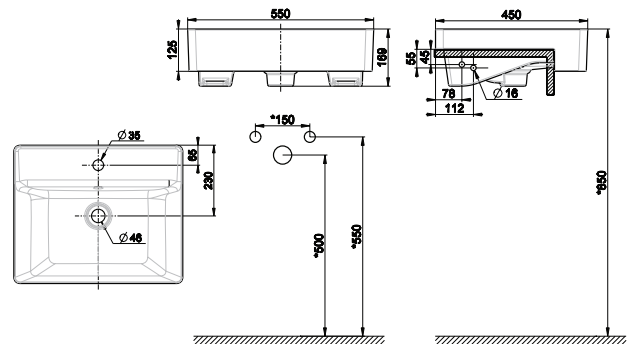
L450 x W600 x H110 mm



Acacia SupaSleek
Semi Counter Basin

CCASF419-1010411FO

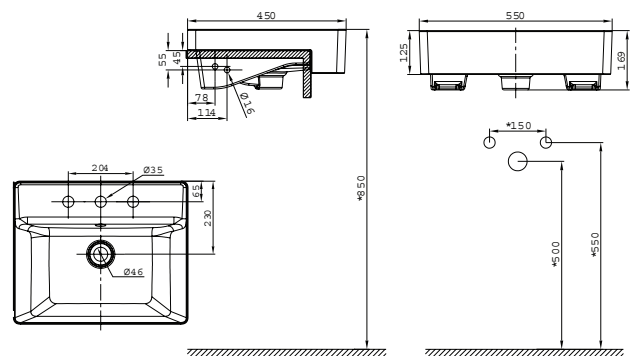
L380 x W550 x H125 mm



Acacia SupaSleek
Semi Counter Basin
(3 Hole)

CCASF419-1080411FO

L450 x W600 x H110 mm



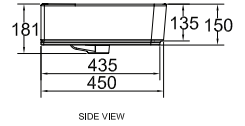
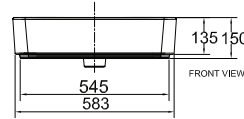
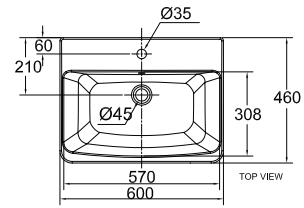
BASINS



Acacia SupaSleek
Wall Hung Basin

CCASF421-1010411FO

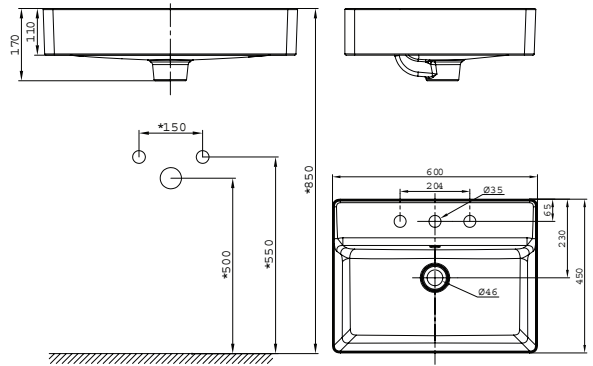
L600 x W450 x H110



Acacia SupaSleek
Wall Hung Basin
(3-Hole)

CCASF421-1080411FO

L450 x W600 x H110 mm



Acacia Evolution™



The best of design and technology

For the urban trendsetter who strives for modern and innovative lifestyle. The modern design of Acacia Evolution™ features geometric shapes and the latest technology that delivers a powerful flushing with minimum water usage. In a time where technology defines the way we interact, work and live, Acacia Evolution™ is designed to meet modern lifestyle needs. Where technology is deeply embedded into design, delivering both form and function.

Acacia Evolution

Modern



**Acacia Evolution
One-Piece Toilet**
CL23075-6DACTCB



**Acacia Evolution
Extended Basin Mixer**
FFAS1302-102500BFO



**Acacia Evolution
Vessel Wash Basin**
CL05091-6DACTLA

Acacia Evolution

SPALETS

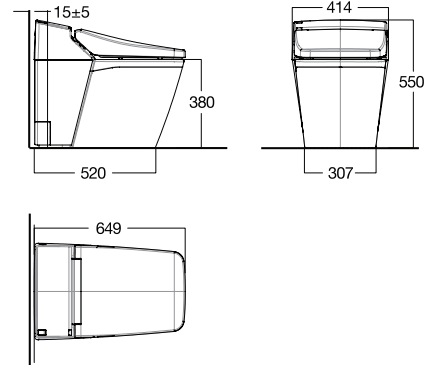


Acacia Evolution Shower Toilet (Auto Seat & Cover)

CEAS5006-0000424CO

L649 x W415 x H550 mm

Siphon Jet
3.5/5 L Dual Flush
305 mm, S-Trap
Square Bowl



TOILETS

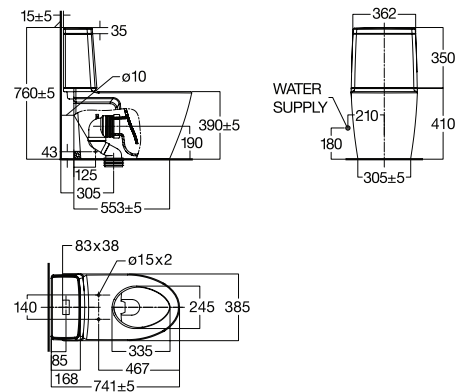


Acacia Evolution Close-Coupled Toilet

CL23075-6DACTCB

L740 x W385 x H760 mm

Double Vortex
2.6/4 L Dual Flush
305 mm, S-Trap
Elongated Bowl



Compatible with:
Concealed Cisterns

Concealed Flush Valve



Acacia Evolution Back-to-Wall Toilet

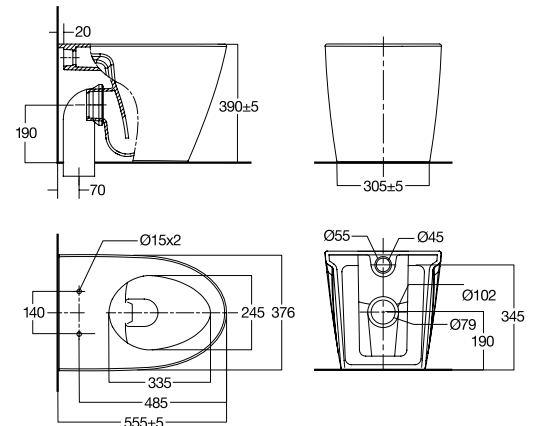
**CL3229B-6DACTCB (Bowl)
CL6117M-6D (Seat Cover)**

L555 x W376 x H390 mm

Double Vortex
3/4.5 L Dual Flush
190 mm, P-Trap
80-95mm, S-Trap
Elongated Bowl



(S Trap M11453 set to be ordered separately)



TOILETS

Compatible with:
Concealed Cisterns



Concept Oblong
(Best Design Match)



Concept Pillow

Concealed Flush Valve



Concept Arc Dual FV

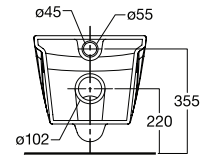
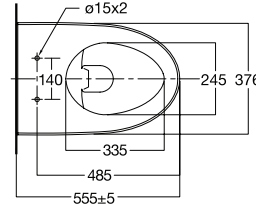
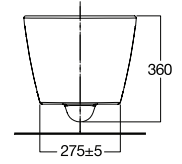
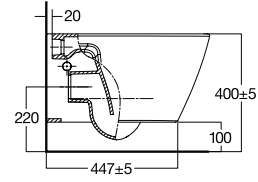


**Acacia Evolution
Wall Hung Toilet**

CL3119B-6DACTPT (Bowl)
CL6117M-6D (Seat Cover)

L555 x W376 x H360 mm

Double Vortex
3/4.5 L Dual Flush
230 mm, P-Trap
Elongated Bowl



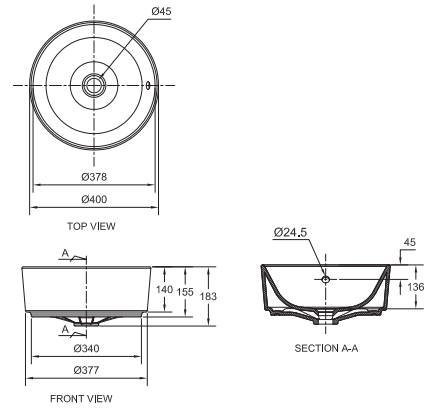
WASH BASINS



Acacia Evolution Round Vessel Wash Basin

CL0509I-6DACTLA

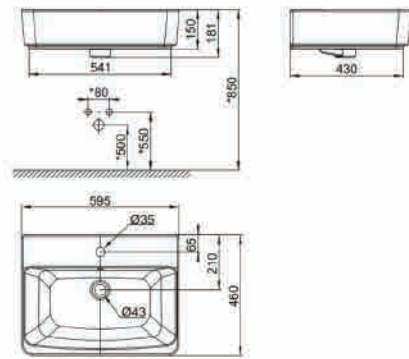
L400 x W400 x H181 mm



Acacia Evolution Vessel With Deck

CCAS0620-1010411AO

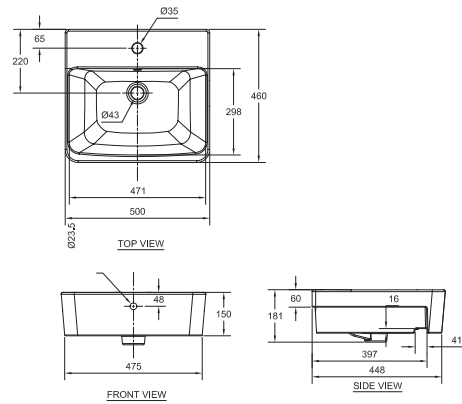
L600 x W460 x H181 mm



Acacia Evolution Semi-Counter Wash Basin

CL0519I-6DACTLS

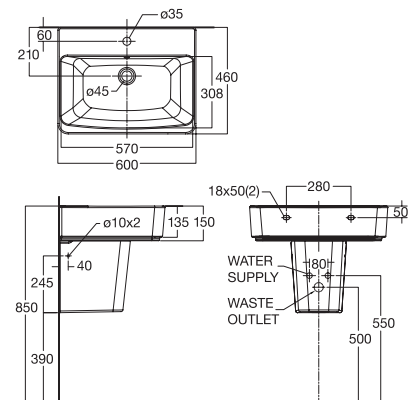
L500 x W460 x H180 mm



Acacia Evolution Semi Pedestal Wash Basin

**CL0507I-6DACTLWW/
CL0707S-6DACT**

L600 x W460 x H460 mm



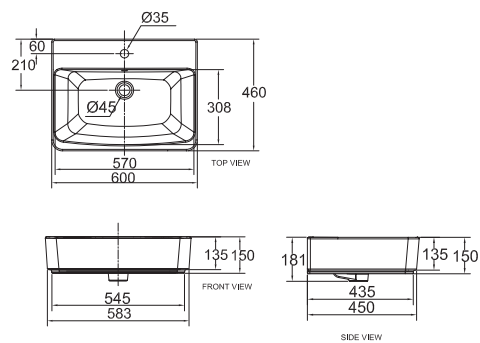
WASH BASINS



Acacia Evolution
Wall Hung Wash Basin

CL0507I-6DACTLWW

L600 x W460 x H181 mm

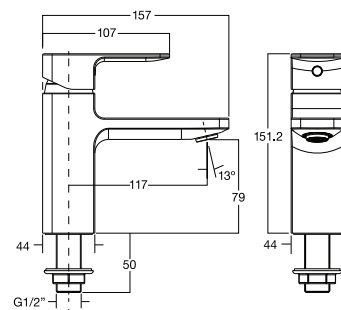


BASIN FAUCETS



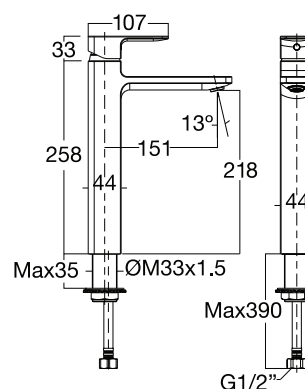
Acacia Evolution
Basin Mono

FFAS1306-101500BFO



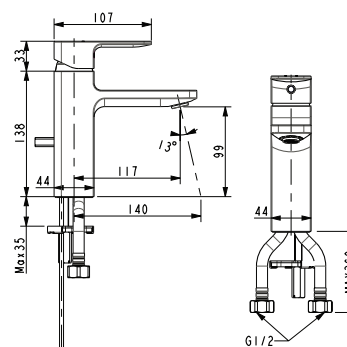
Acacia Evolution
Extended Basin Mono

FFAS1308-101500BFO



Acacia Evolution
Basin Mixer

FFAS1301-102500BFO

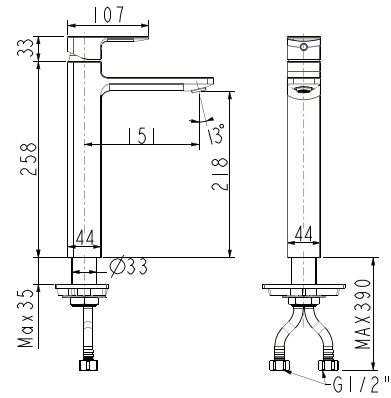


BASIN FAUCETS



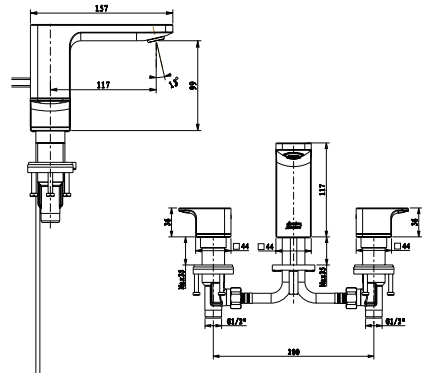
Acacia Evolution
Extended Basin Mixer

FFAS1302-102500BFO



Acacia Evolution
3-Hole Basin Mixer

FFAS1303-102500BFO

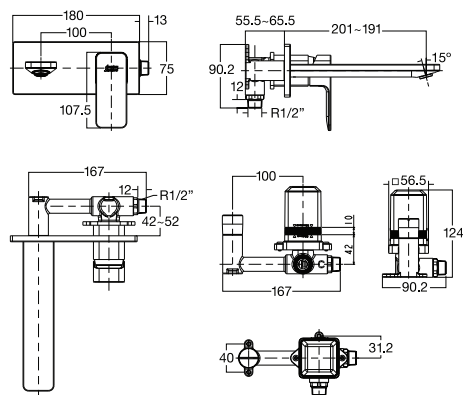


BASIN FAUCETS



Acacia Evolution
Wall Mount Basin Mixer

FFAS1304-102500BFO

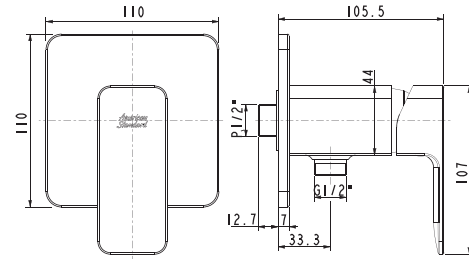


BATH & SHOWERS



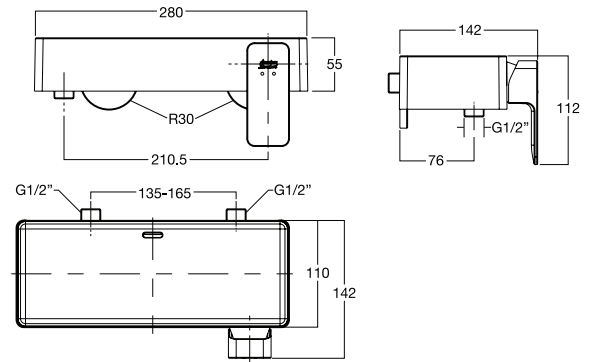
Acacia Evolution
Exposed Shower Mono

FFAS1326-701500BFO



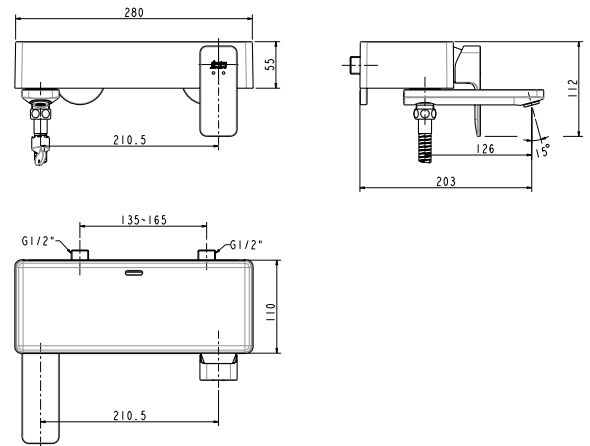
Acacia Evolution
Exposed Shower Mixer

FFAS1312-702500BFO



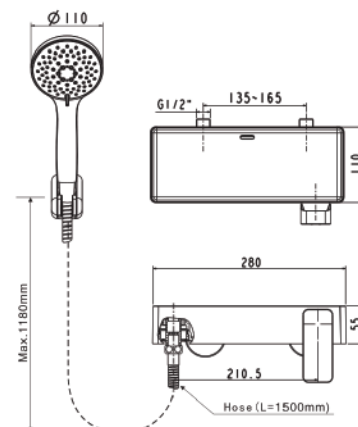
Acacia Evolution
Exposed Bath & Shower Mixer

FFAS1311-602500BFO



Acacia Evolution
Exposed Shower Mixer
with Shower Kit

FFAS1312-701500BFO

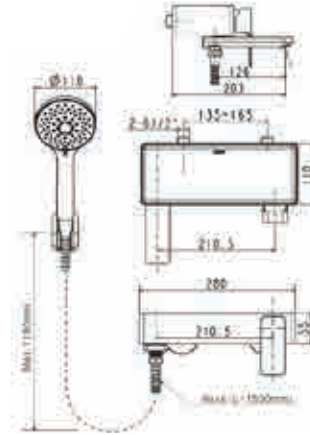


BATH & SHOWERS



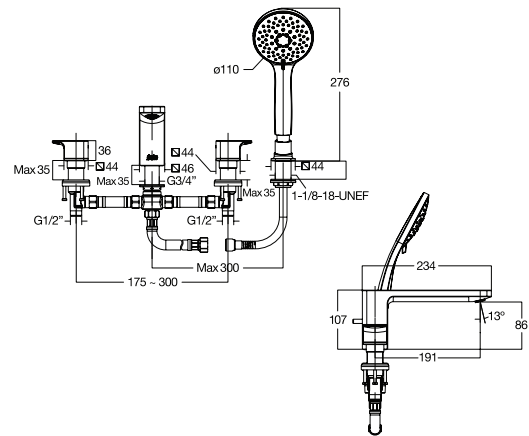
Acacia Evolution
Exposed Bath & Shower Mixer
with Shower Kit

FFAS1311-601500BCO



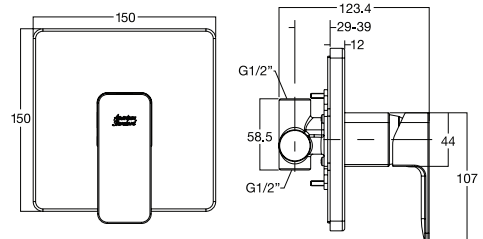
Acacia Evolution
Deck Mount Bath & Shower Mixer
with Shower Kit

FFAS1300-601500BFO



Acacia Evolution
Concealed Shower Mono

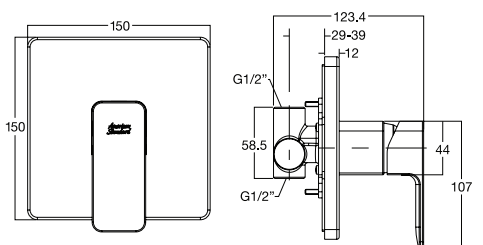
FFAS1336-709500BFO



Acacia Evolution
Concealed Shower Mixer

FFAS1322-708500BFO

Concealed to be ordered
separately
FFAS0625-000990BFO



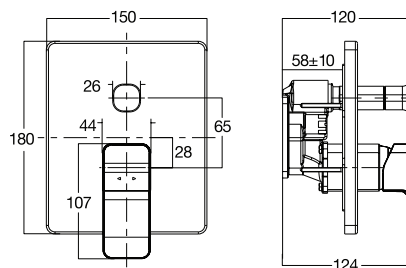
BATH & SHOWERS



Acacia Evolution
Concealed Bath & Shower Mixer

FFAS1321-608500BF0

Concealed to be ordered separately
FFAS0625-000990BF0



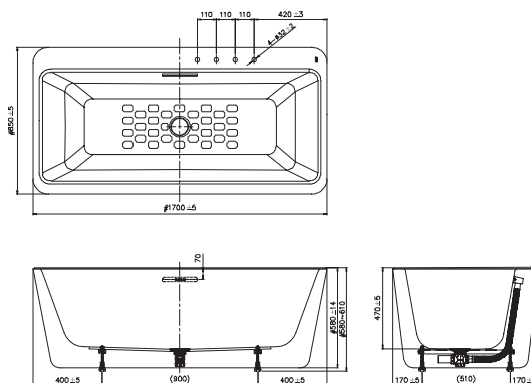
BATHTUBS



Acacia Evolution
1.7M Acrylic Seamless
Freestanding Tub

BTAS6719-032ASXJF0

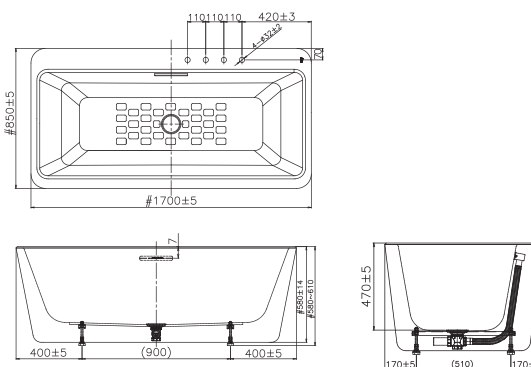
L1700 x W850 x H580 mm
Acrylic with E-Fibre
Reinforcement



Acacia Evolution
1.7M Acrylic Seamless
Freestanding Tub (with Faucet
Installation Holes)

BTAS6719-602ASXJF0

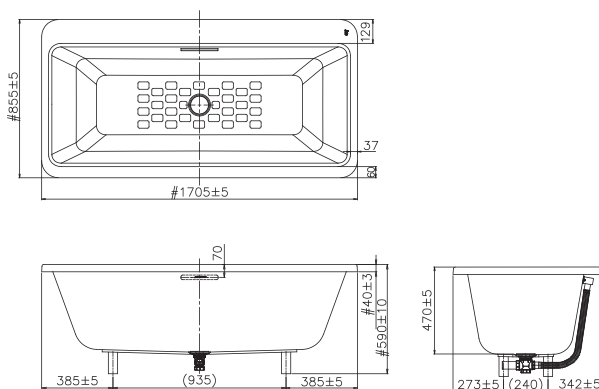
L1700 x W850 x H580 mm
Acrylic with E-Fibre
Reinforcement



Acacia Evolution
1.7M Acrylic Drop-In Tub

BTAS6719-002AS00C4

L1705 x W855 x H590 mm
Acrylic with E-Fibre
Reinforcement

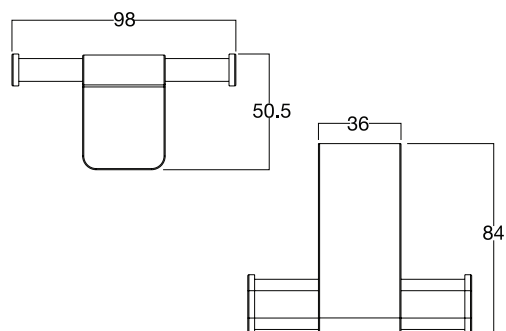


ACCESSORIES



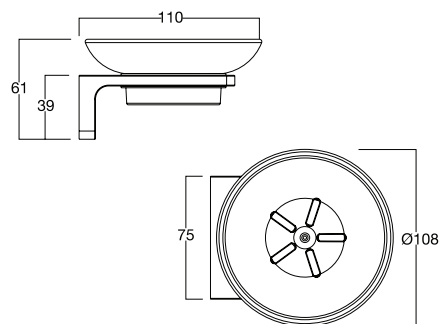
Acacia Evolution
Robe Hook

FFAS1381-908500BCO



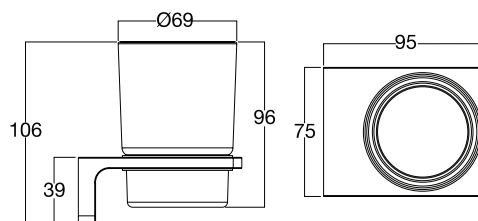
Acacia Evolution
Soap Dish

FFAS1382-908500BCO



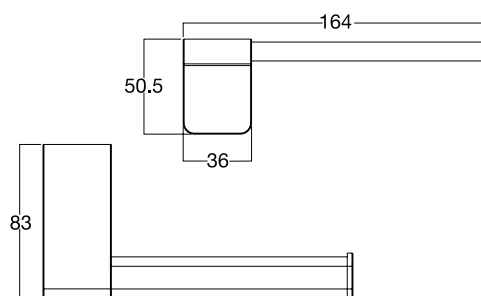
Acacia Evolution
Glass Holder

FFAS1384-908500BCO



Acacia Evolution
Paper Holder

FFAS1387-908500BCO

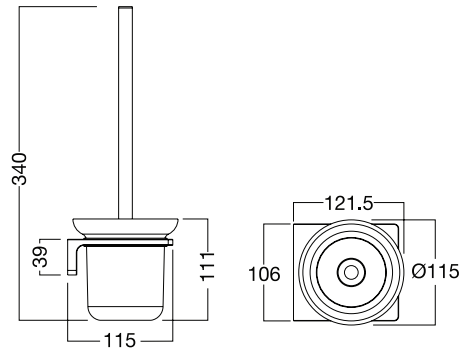


ACCESSORIES



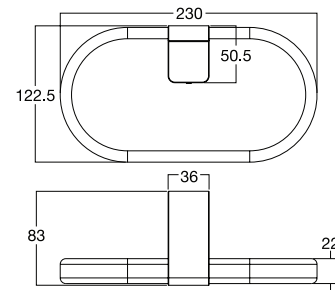
Acacia Evolution
Toilet Brush

FFAS1386-908500BCO



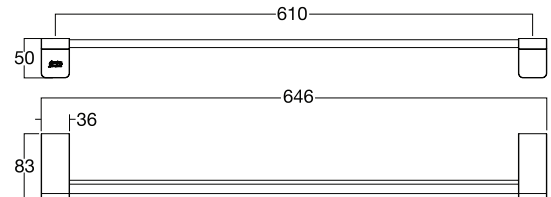
Acacia Evolution
Towel Ring

FFAS1390-908500BCO



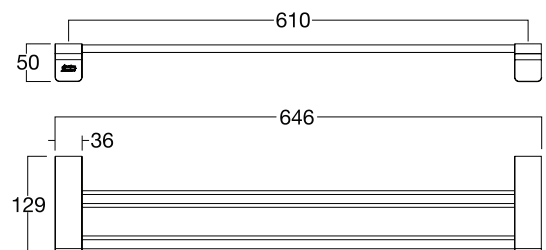
Acacia Evolution
Towel Bar

FFAS1393-908500BCO



Acacia Evolution
Double Towel Bar

FFAS1394-908500BCO

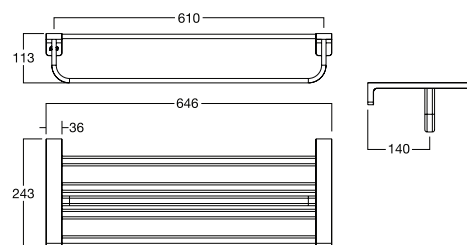


ACCESSORIES



Acacia Evolution
Towel Shelf

FFAS1395-908500BC0





Kastello™



Like. No. Other.

A collection designed for people who appreciate established aesthetics, quality and authenticity. With a refined combination of squarish geometries, flaring out shapes and crafted details, the Kastello™ Collection is a modern interpretation of a classic style. Choose to dial up its modern or classic flair to create a bathroom of timeless elegance and sophistication.

Classic



Kastello
One-Piece Toilet
CCAS2025/2026



Kastello
3-Hole Basin Mixer
FFAS1603-101500BFO



Kastello
3-Hole Vessel Wash Basin
CCASF525-1080410FO

TOILETS

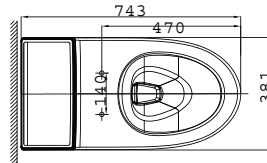
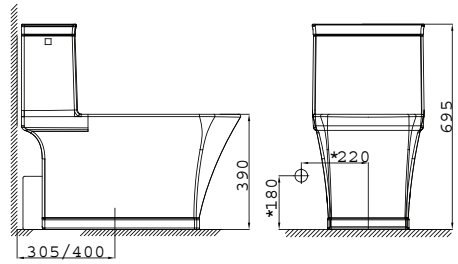


**KASTELLO
One-Piece Toilet**

CCAS2025-111A410C0

L743 W381 x H695 mm

SiphonMax with Power Rim
3.8 L Single Flush
305/400 mm, S-Trap
Elongated Bowl

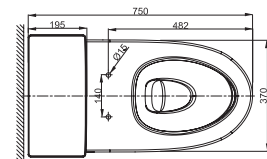
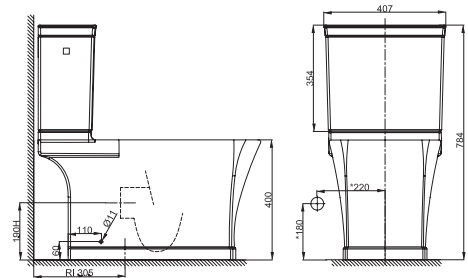


**KASTELLO
Close Coupled Toilet**

**C2781001-1MA21 (S-Trap)
C2781301-1MA21 (P-trap)**

L750 x W407 x H784 mm

Double Vortex
3/4.5 L Dual Flush
305 mm, S-Trap
190 mm, P-Trap
Elongated Bowl



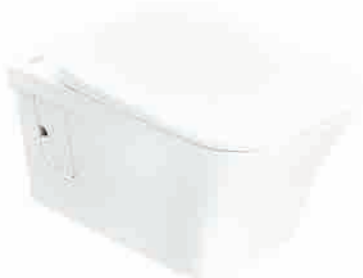
Compatible with:
Concealed Cisterns



Concept Oblong



Concept Pillow
(Best Design Match)

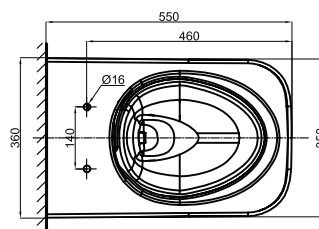
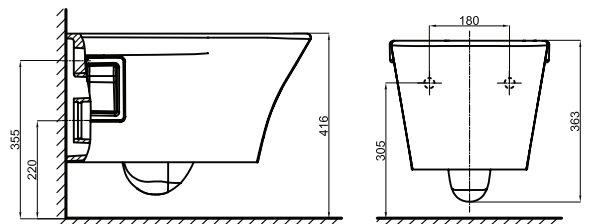


**KASTELLO
Square Wall Hung Toilet**

**CCAS3131-3W20400F0 (Bowl)
CCASC131-U200410F0 (Seat & Cover)**

L552 x W360 x H290

Double Vortex with Hygiene Rim
3/4.5L Dual Flush
220mm, P-Trap



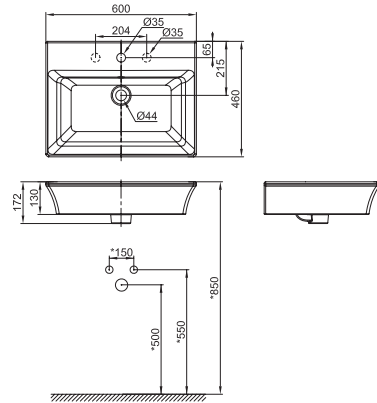
WASH BASINS



KASTELLO
600mm Vessel with Deck
Basin

CCASF525-1010410FO

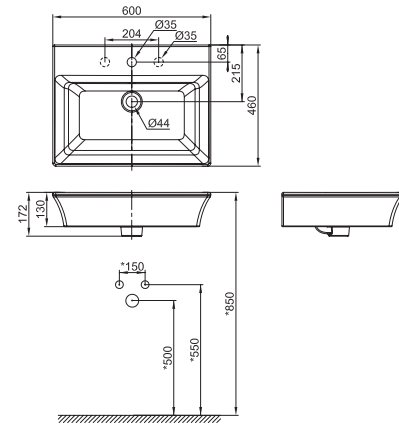
L600 x W460 x H172 mm



KASTELLO
600mm Vessel with Deck
Basin (3-Hole)

CCASF525-1080410FO

L600 x W460 x H172 mm

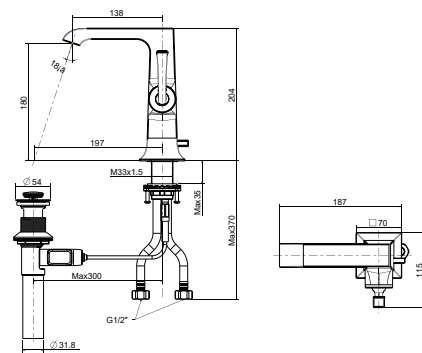


BASIN FAUCETS



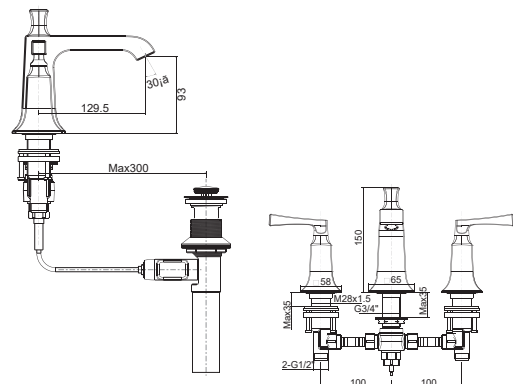
KASTELLO
Basin Mixer with Pop-Up Drain

FFAS1601-101500BFO



KASTELLO
3-Hole Basin Mixer with
Pop-Up Drain

FFAS1603-101500BFO

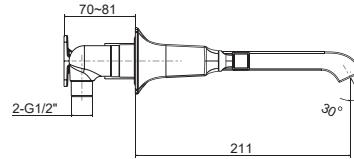
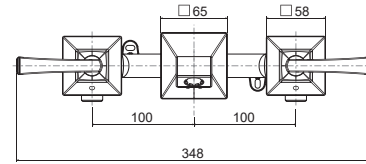


BASIN FAUCETS



KASTELLO
Wall Mounted Vessel Mixer

FFAS1604-101501BFO

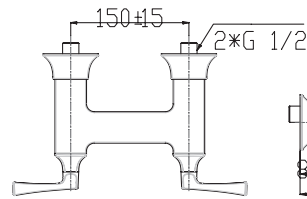
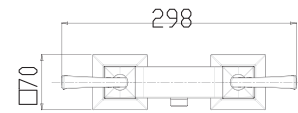


BATH & SHOWERS



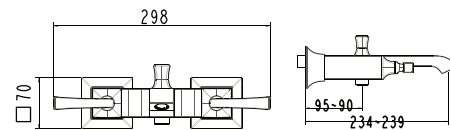
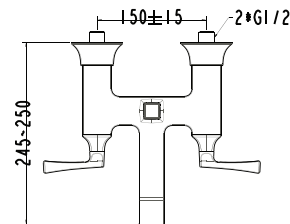
KASTELLO
Exposed Shower Mixer

FFAS1612-709500BFO



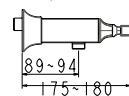
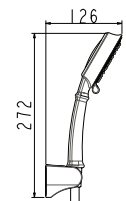
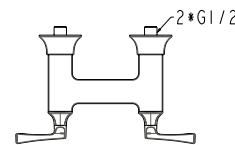
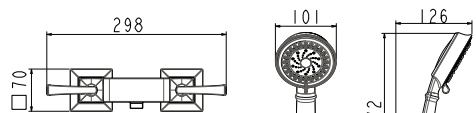
KASTELLO
Exposed Bath & Shower Mixer

FFAS1611-609500BFO



KASTELLO
Exposed Shower Mixer
with Shower Kit

FFAS1611-701500BFO

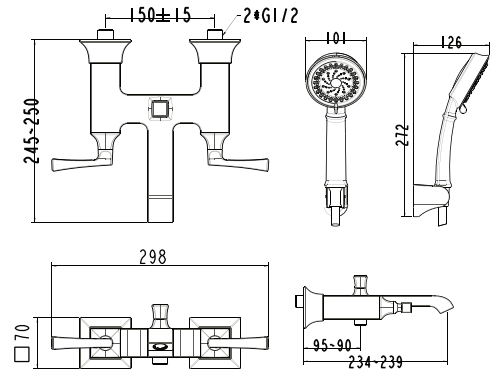


BATH & SHOWERS



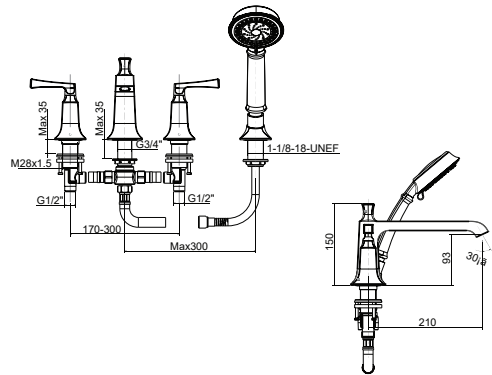
KASTELLO
Exposed Bath & Shower Mixer
with Shower Kit

FFAS1612-701500BFO



KASTELLO
Deck Mount Bath & Shower Mixer
with Shower Kit

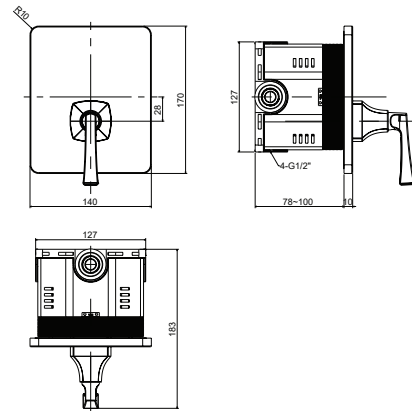
FFAS1600-601500BFO



KASTELLO
Concealed Shower Mixer

FFAS1622-708500ZFO

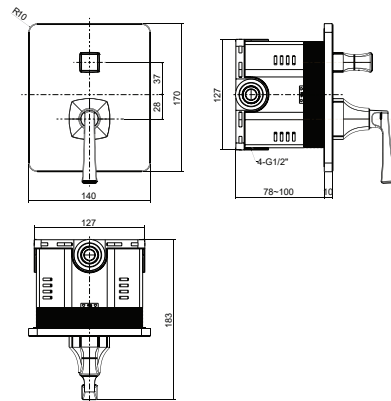
Universal Installation box
(FFAS0625-000990BFO)
to be ordered separately



KASTELLO
Concealed Bath and
Shower Mixer

FFAS1621-608500ZFO

Universal Installation box
(FFAS0625-000990BFO)
to be ordered separately

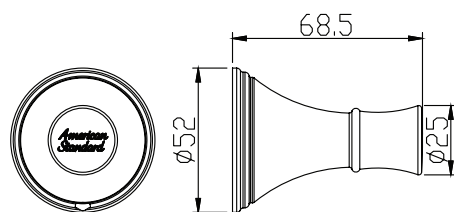


ACCESSORIES



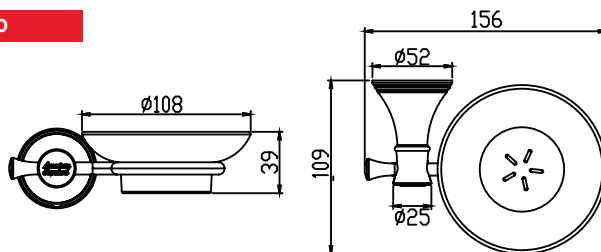
KASTELLO
Robe Hook

FFAS0281-908500BCO



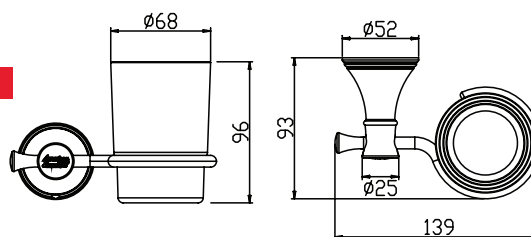
KASTELLO
Soap Dish

FFAS0282-908500BCO



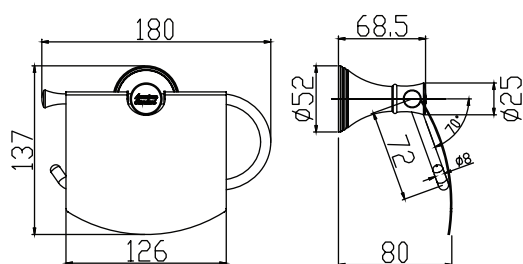
KASTELLO
Glass Holder

FFAS0284-908500BCO



KASTELLO
Paper Holder

FFAS0287-908500BCO

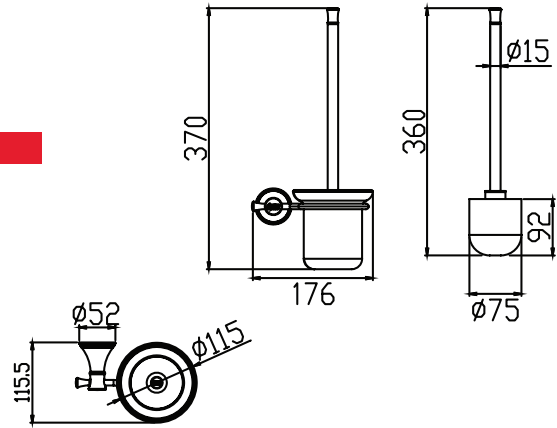


ACCESSORIES



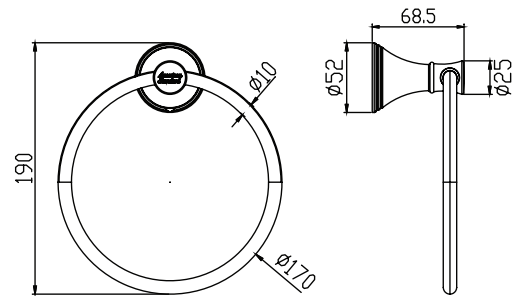
KASTELLO
Toilet Brush

FFAS0286-908500BC0



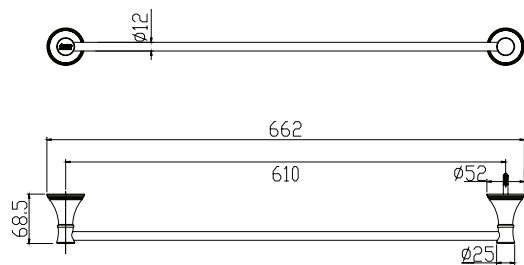
KASTELLO
Towel Ring

FFAS0290-908500BC0



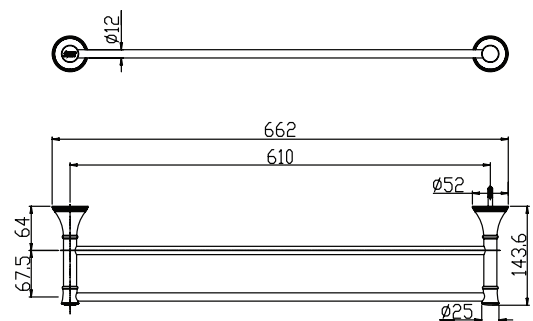
KASTELLO
Towel Bar

FFAS0293-908500BC0

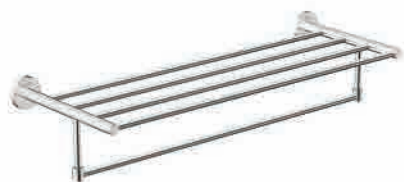


KASTELLO
Double Towel Bar

FFAS0294-908500BC0

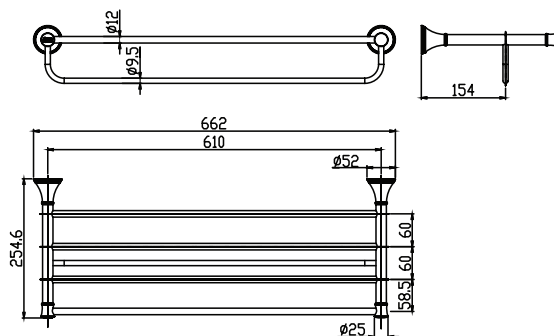


ACCESSORIES



KASTELLO
Towel Shelf

FFAS0295-908500BC0





Signature™



Heralding a new era

For minimalists who appreciate quality and design, the Signature™ Collection is crafted as an embodiment of American Standard™. The culmination of the Frame and Pillow forms the Superellipse, a geometric shape that is exclusive to this collection, revolving around the theme of soft minimalism that blends seamlessly into a modern bathroom architecture.

Signature

Modern



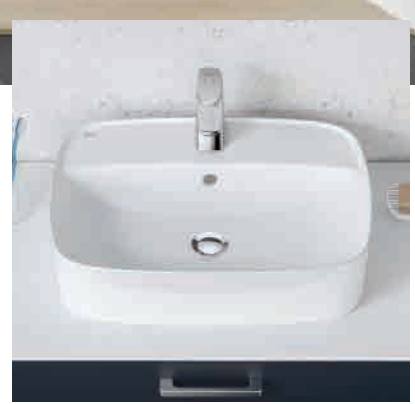
**Signature
Wall Hung Toilet**

CCAS3140-3W20400FO



**Signature Basin Mixer With
Pop-Up Drain**

FFAS1701-1015L0BCO



**Signature Vessel With Deck
(Single Hole)**

CCA0618-1010410FO

TOILETS

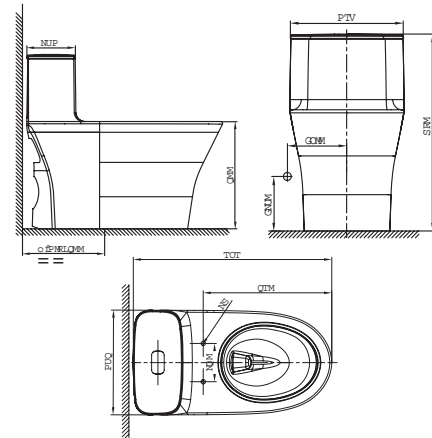


**Signature
One Piece Toilet**

CCAS1880-111A410FO

L727 x W384 x H650

SiphonMax with Power Rim
3.5/5 L Dual
305mm, S-Trap
Elongated Bowl

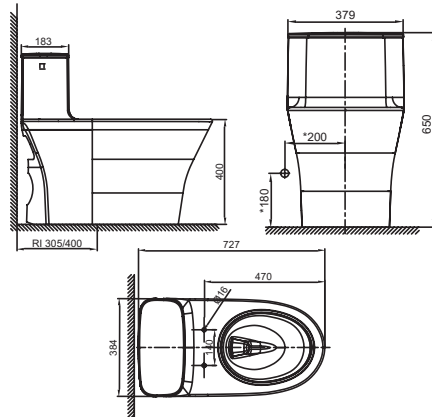


**Signature
One Piece Toilet with
Side Lever**

CCAS1882-111A410TO

L727 x W384 x H650

SiphonMax with Power Rim
4.8L Single Flush
305mm, S-Trap
Elongated Bowl

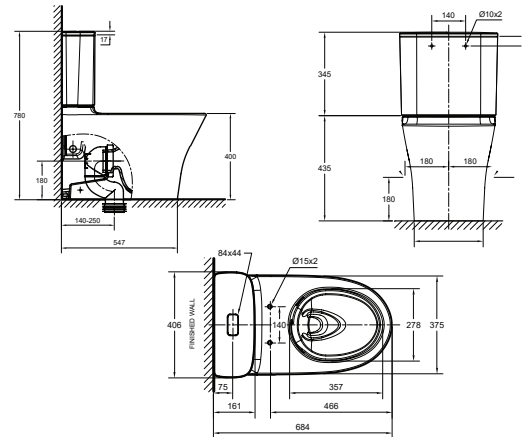


**Signature
Close Coupled Back To Wall
Toilet**

CL26225-6DACTCB

L684 x W406 x H780 mm

Double Vortex with
Hygiene Rim
3/4.5 L Dual
140-250mm, S-Trap (ANZ)
305mm S-trap (Asia)
180mm P-trap
Elongated Bowl



Compatible with:
Concealed Cisterns

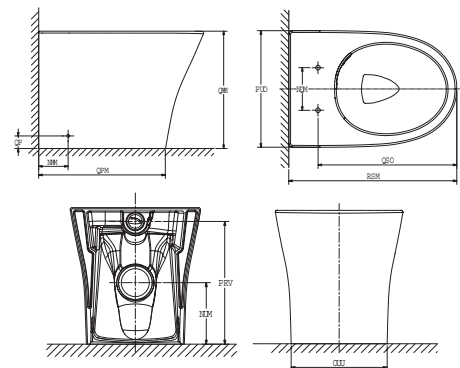


**Signature
Back To Wall Toilet**

**CCAS2141-0420400FO (S-Trap)
CCAS2141-0420401FO (P-Trap)**

L560 x W382 x H400 mm

Double Vortex with
Hygiene Rim
3/4.5L Single Flush
90-110mm, S Trap
180mm, P-trap
Elongated Bowl



TOILETS

Compatible with:
Concealed Cisterns



Concept Pillow
(Best Design Match)

Concept Oblong

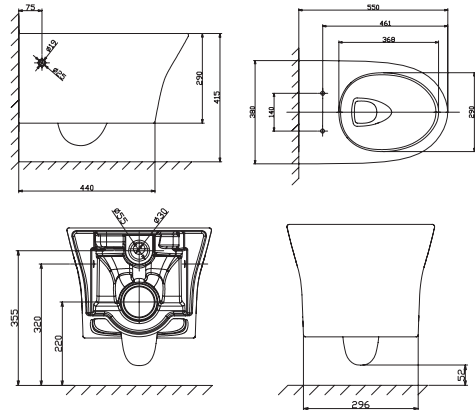


**Signature
Wall Hung Toilet**

**CCAS3140-3W20400FO (Bowl)
CCASC119-U20U420CO
(Crystasleek Seat & Cover)**

L550 X W382 x H290 mm

Double Vortex with
Hygiene Rim
3/ 4.5L, Dual Flush
220mm, P Trap
Elongated Bowl



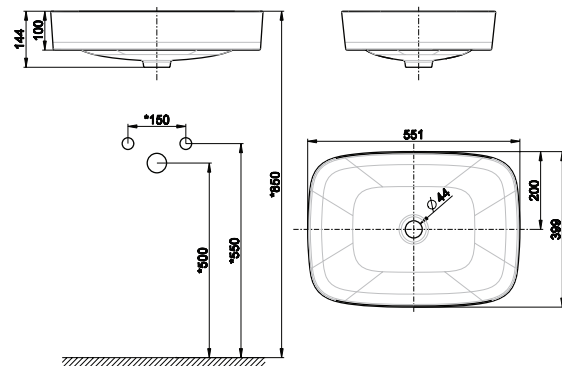
BASIN



**Signature
550mm Vessel**

CCAS0628-0000410FO

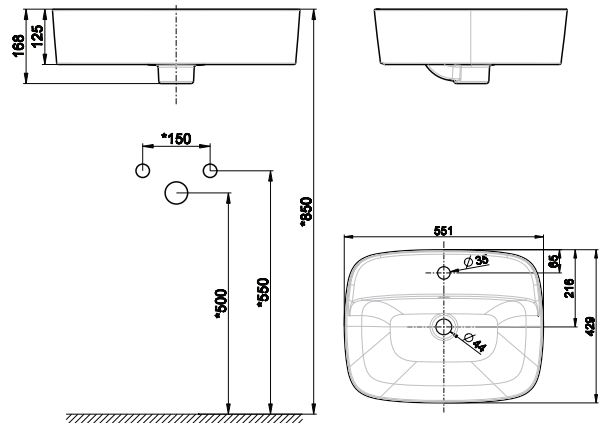
L551 x W399 x H100 mm



**Signature
550mm Vessel With Deck**

CCAS0618-1010410FO

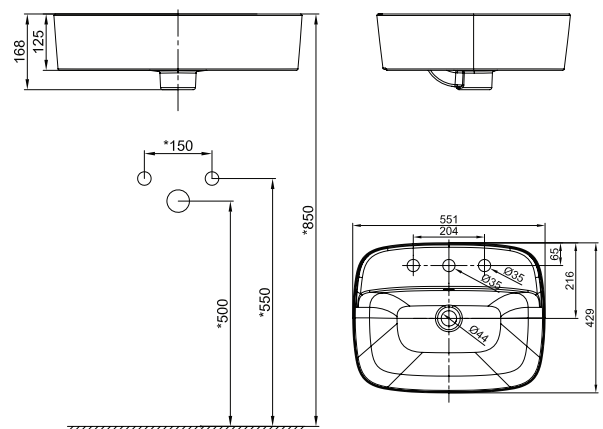
L551 x W429 x H125 mm



**Signature
550 mm Vessel With Deck
(3-Hole)**

CCAS0618-1080410FO

L551 x W429 x H125 mm



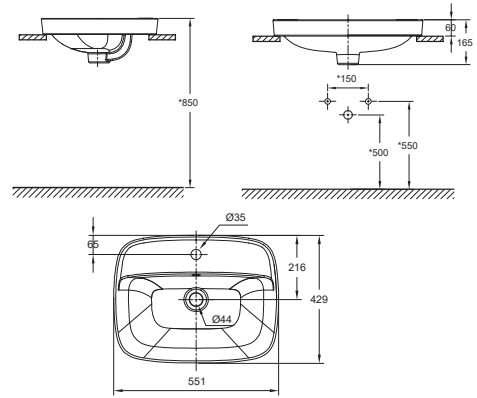
BASIN



Signature
550mm Countertop Basin

CCAS0420-1010410F0

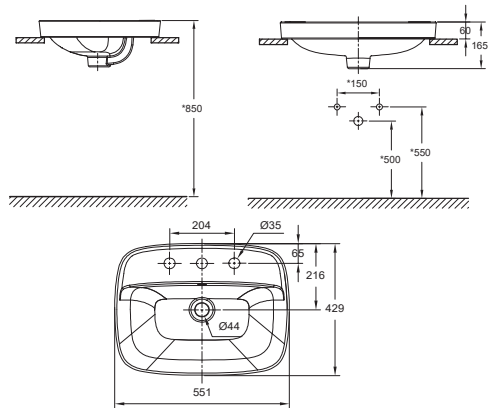
L551 x W429 x H165 mm



Signature
550mm Countertop Basin
(3-Hole)

CCAS0420-1080410F0

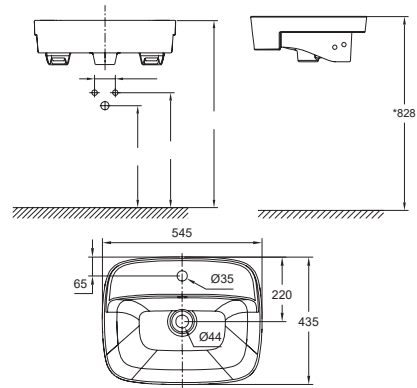
L551 x W429 x H165 mm



Signature
550mm Semi Counter Basin

CCAS0320-1010410F0

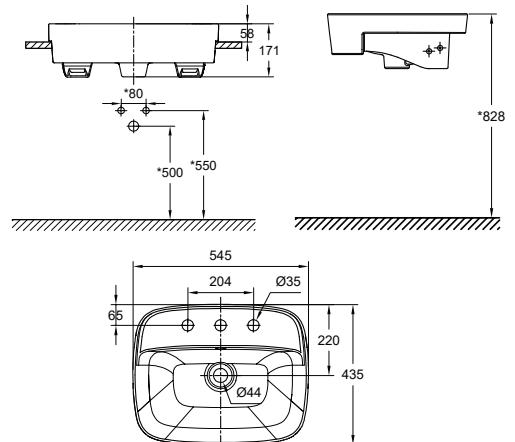
L545 x W435 x H171 mm



Signature
550mm Semi Counter Basin
(8 inch hole)

CCAS0320-1080410F0

L545 x W435 x H171 mm

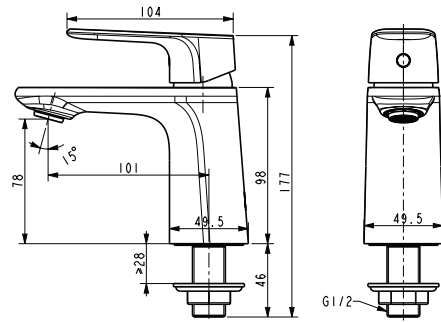


BASIN FAUCET



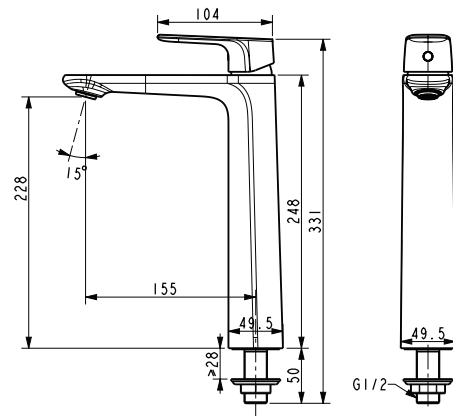
Signature
Basin Mono

FFAS1706-1015LOBAO



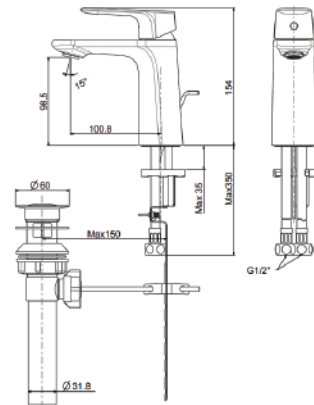
Signature
Extended Basin Mono

FFAS1707-1015LOBAO



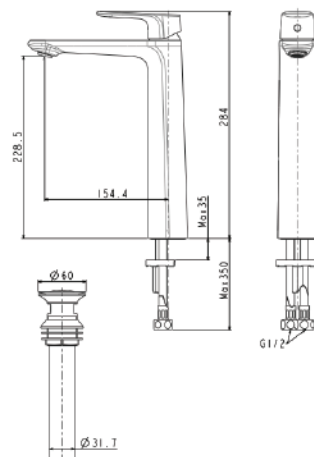
Signature
Basin Mixer With
Pop-Up Drain

FFAS1701-1015LOBCO



Signature
Extended Basin Mixer With
Pop-Up Drain

FFAS1702-1015LOBCO

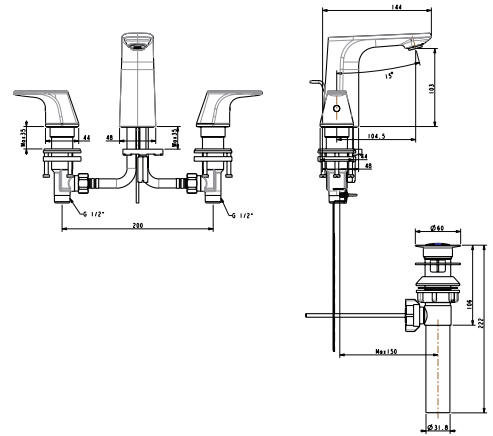


BASIN FAUCET



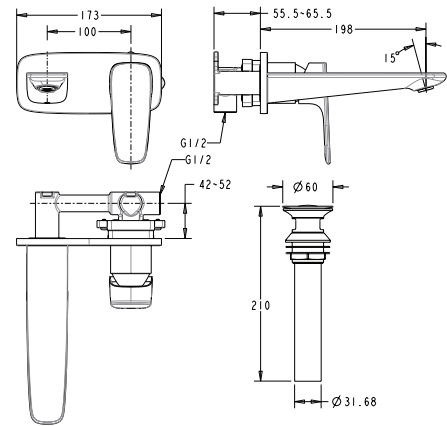
Signature
3-hole Basin Mixer With
Pop-Up Drain

FFAS1703-1015LOBCO



Signature
Wall Mount Basin Mixer
With Pop-Up Drain

FFAS1704-1015LOBCO

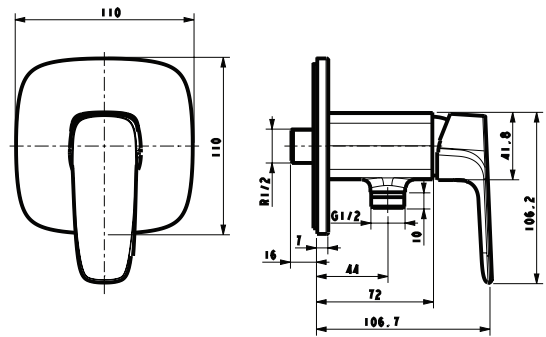


BATH & SHOWER



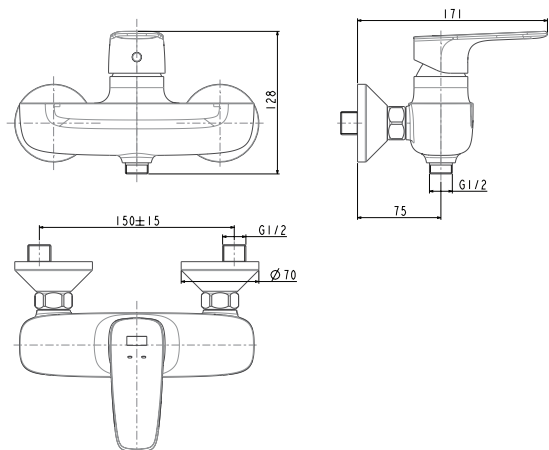
Signature
Exposed Shower Mono

FFAS1726-701500BAO

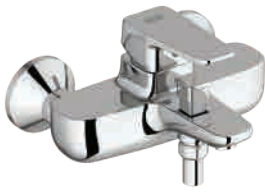


Signature
Exposed Shower Mixer

FFAS1712-709500BCO

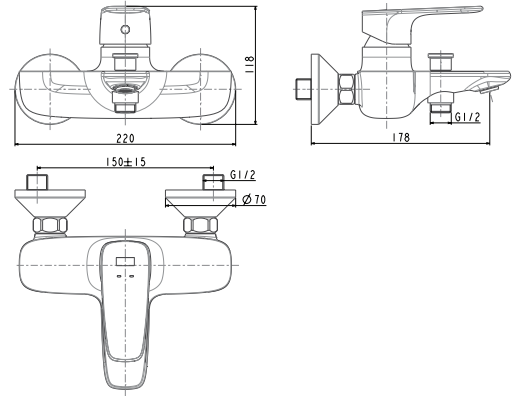


BATH & SHOWER



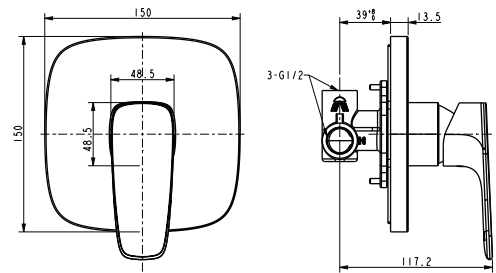
**Signature
Exposed Bath & Shower
Mixer**

FFAS1711-609500BCO



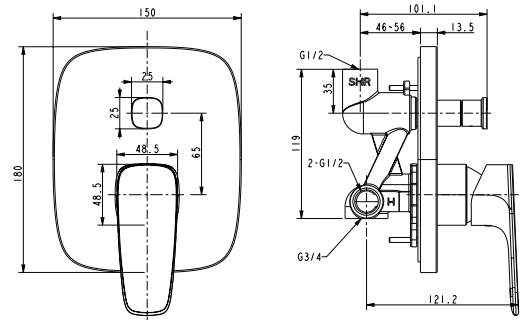
**Signature
Concealed Shower Mixer**

FFAS1722-709500BCO



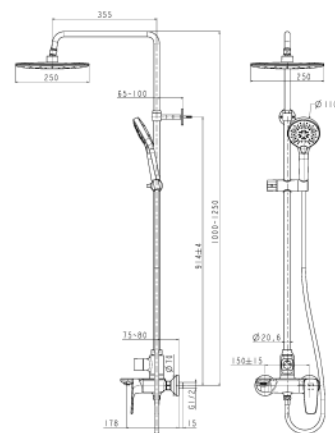
**Signature
Concealed Bath & Shower
Mixer**

FFAS1721-609500BCO



**Signature
Exposed Bath & Shower Mixer
With Rainshower Kit**

FFAS1772-701500BCO





Milano™

Italian design with comfort

A collection that encapsulates the essence of Milan's elegant designs. The precise and detailed architecture of this ancient city is deconstructed to convey sophistication and offer comfort through intrinsic details and soft curvatures of contemporary Milano™.

Contemporary



**Milano
One-Piece Toilet**
CCAS1860-112A410FO



**Milano
Extended Basin Mixer**
FFAS0902-102501BFO



**Milano
Vessel Wash Basin**
CCASF650-1000410FO

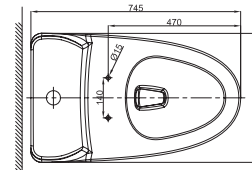
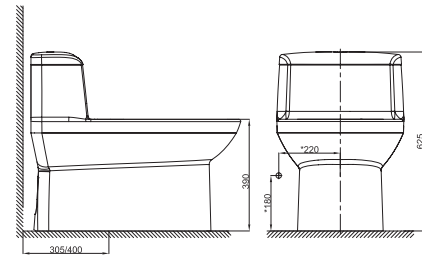
TOILETS



Milano
One-Piece Toilet

CCAS1860-112A410F0 (Bowl)
CCASC830-0200410C0 (Seat & Cover)

L744 x W450 x H710 mm
SiphonMax
3/4.8 L Dual Flush
305 mm, S-Trap
Elongated Bowl



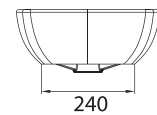
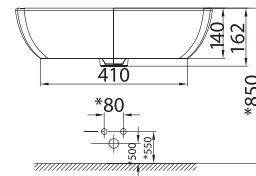
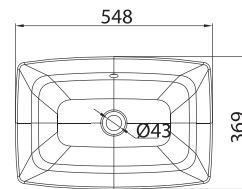
WASH BASINS



Milano
550mm Vessel Wash Basin

CCASF650-1000410F0

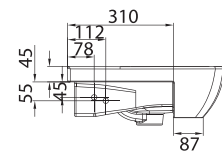
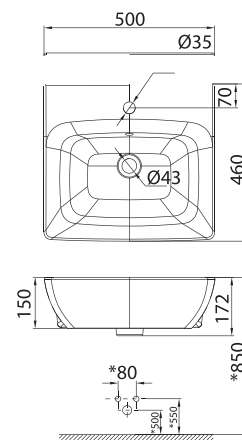
L550 x W369 x H140 mm



Milano
500mm Semi-Counter Wash Basin

CCASF301-1010410F0

L500 x W460 x H172 mm

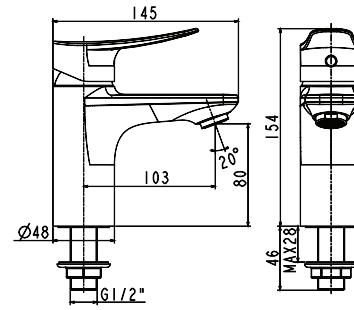


BASIN FAUCETS



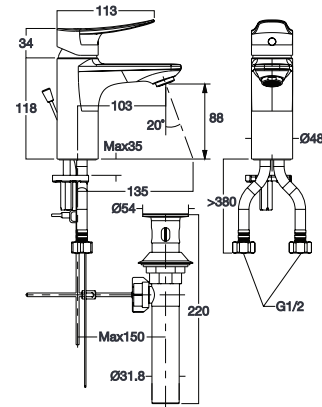
Milano
Basin Mono

FFAS0906-102500BFO



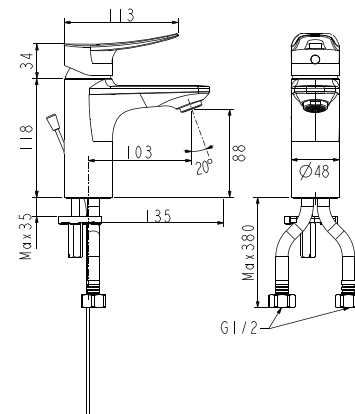
Milano
Basin Mixer with Pop-up Drain

FFAS0901-102500BFO



Milano
Basin Mixer

FFAS0901-102501BFO

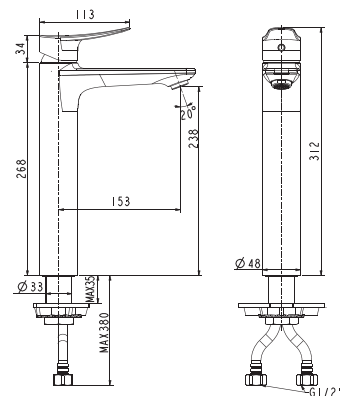


BASIN FAUCETS



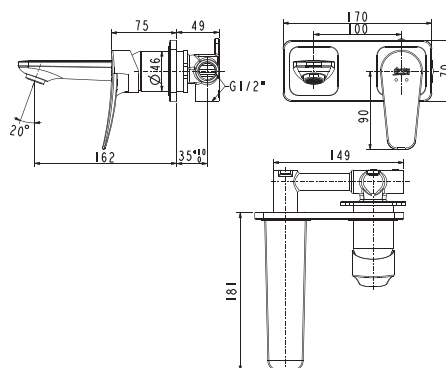
Milano
Extended Basin Mixer

FFAS0902-102501BF0



Milano
Wall Mount Basin Mixer

FFAS0904-102501BF0

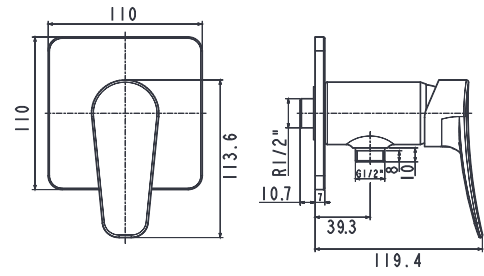


BATH & SHOWERS



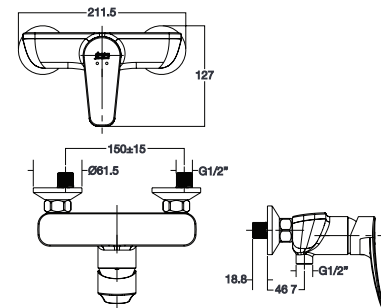
Milano
Exposed Shower Mono

FFAS0926-702500BFO



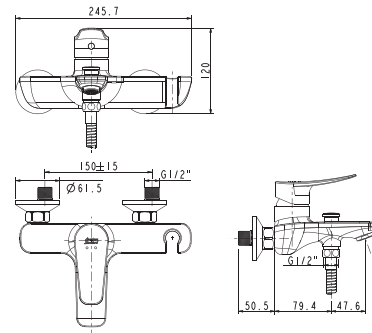
Milano
Exposed Shower Mixer

FFAS0912-729500BFO



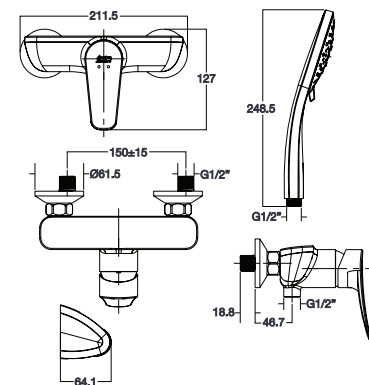
Milano
Exposed Bath & Shower Mixer

FFAS0911-602501BFO



Milano
Exposed Shower Mixer
with Shower Kit

FFAS0912-702500BFO

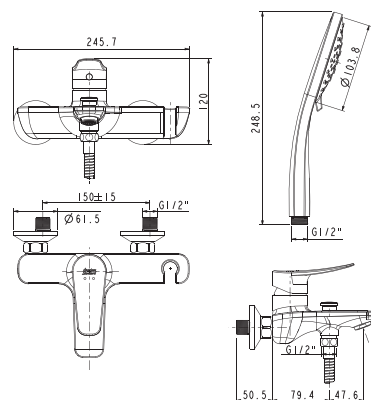


BATH & SHOWERS



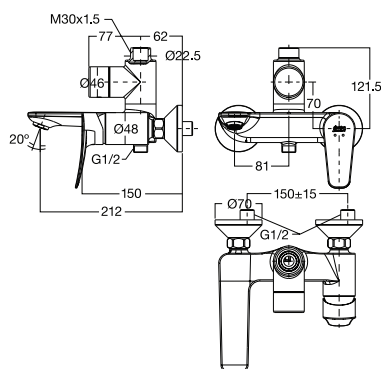
Milano
Exposed Bath & Shower Mixer
with Shower Kit

FFAS0911-602500BFO



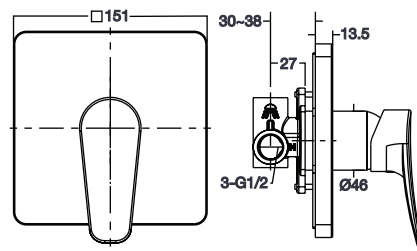
Milano
Exposed Bath & Shower Mixer
for Shower System

FFAS0972-702500BFO



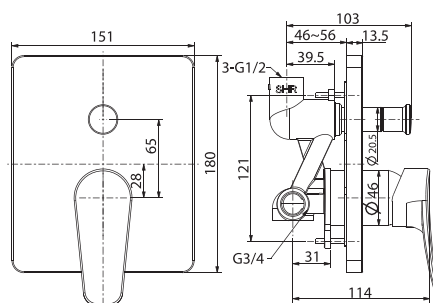
Milano
Concealed Shower Mixer

FFAS0922-709500BFO



Milano
Concealed Bath & Shower Mixer

FFAS0921-609500BFO

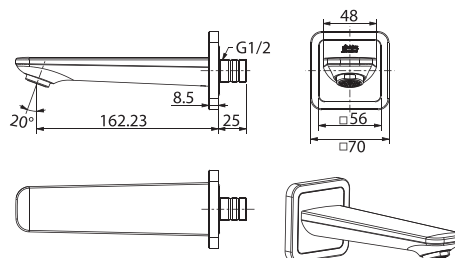


BATH SPOUT



Milano
Wall Mount Bath Spout

FFAS9714-000500BFO



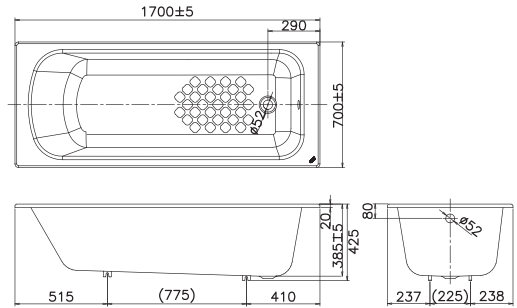
BATHTUBS



**Milano
1.7M Cast Iron Drop-in Tub**

BTAS2708-0520403C5

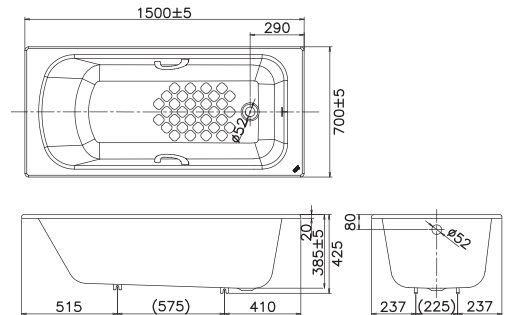
L1700 x W700 x H425 mm
Scratch & Wear Resistant
Cast Iron



**Milano
1.5M Cast Iron Drop-in Tub
(with Handles)**

BTAS2508-2520403C5

L1500 x W700 x H425 mm
Scratch & Wear Resistant
Cast Iron





Concept Nuovo™



Harmonious mix & match

A trendy and flexible collection that embraces the diversities in design and space. Designed to be adaptable, functional and modern, Concept Nuovo™ empowers you to boldly configure any bathroom just the way you want it. Be it round or square, this versatility translates into a seamless and fuss-free solution, delivering the ultimate promise in creating an architectural bathroom interior for all.

Contemporary



**Concept D-Shape
Close-Coupled Toilet**

CL27055-6DACTST



**Concept Round
Basin Mixer**

FFAS1401-101500BFO



**Concept D-Shape
Semi Pedestal
Wash Basin**

CL05531-6DACTLW

Concept Nuovo

TOILETS

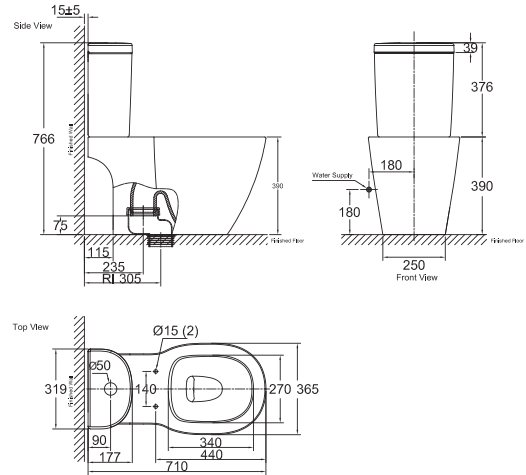


**Concept D-Shape
Close Coupled Toilet**

CL27055-6DACTST

L710 x W365 x H766 mm

Washdown
3/4.5 L Dual Flush
305 mm, S-Trap
U-Shape Bowl

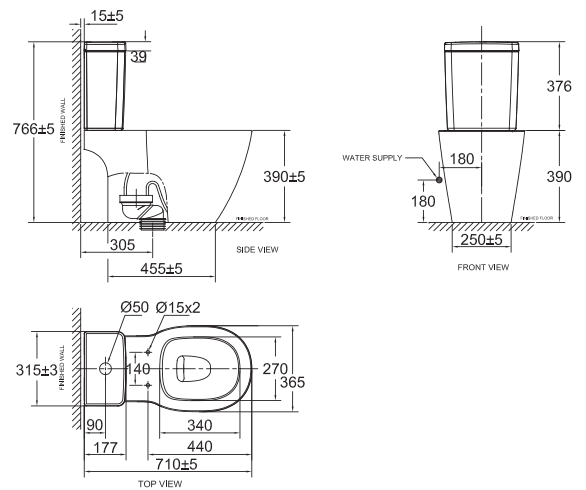


**Concept Square
Close Coupled Toilet**

CL27045-6DACTST

L710 x W365 x H766 mm

Washdown
3/4.5 L Dual Flush
305 mm, S-Trap
U-Shape Bowl



Compatible with:
Concealed Cisterns



Concept Oblong
(Best Design Match)



Concept Pillow

Concealed Flush Valve



Concept Arc Dual FV

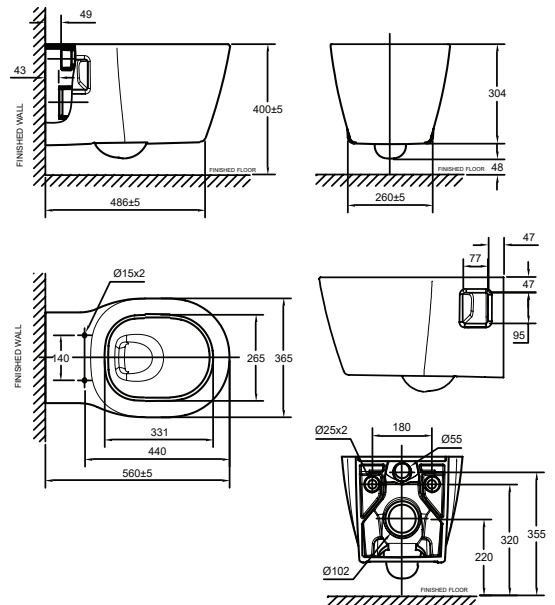


**Concept Nuovo
Wall Hung Toilet**

**CCAS3105-4W20410AO (Bowl)
CCASC105-0200410AO
(AmorLid Seat & Cover)**

L560 x W365 x H352 mm

Washdown
3/4.5 L Dual Flush
230 mm, P-Trap
Round Bowl



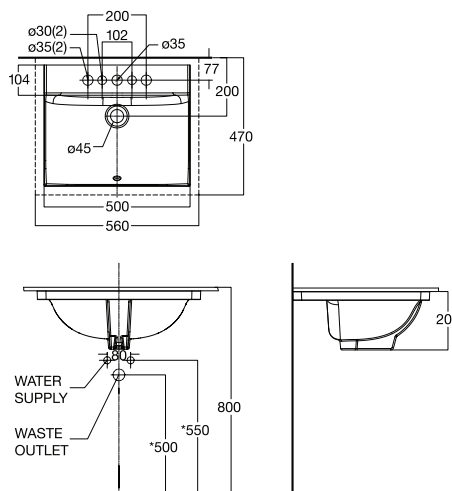
WASH BASINS



**Concept Square
560mm Undercounter
Wash Basin**

CL0451I-6DAWDLU

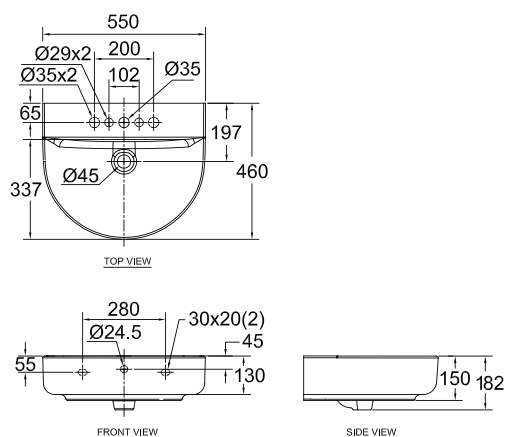
L560 x W470 x H200 mm



**Concept D-shape
550mm Wall Hung
Wash Basin**

CL0553I-6DACTLW

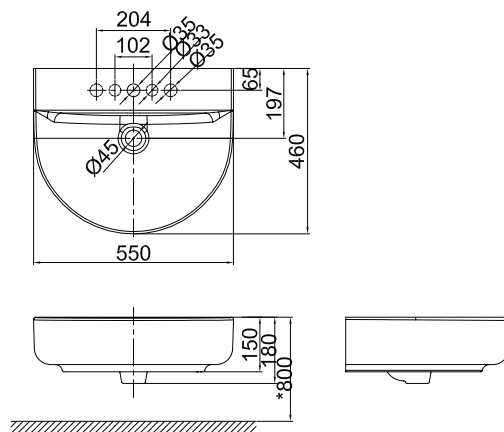
L550 x W460 x H150 mm



**Concept D-shape
550mm Wall Hung
Wash Basin**

CCAS155I-1040410K0

L550 x W460 x H180 mm
3-hole, 4"



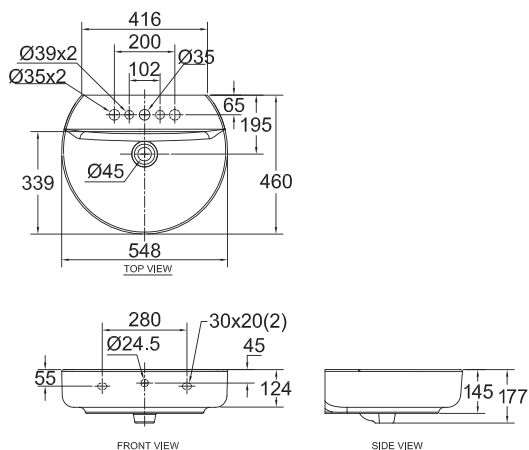
WASH BASINS



**Concept Round
Wall Hung Wash Basin**

CL0552I-6DACTLW

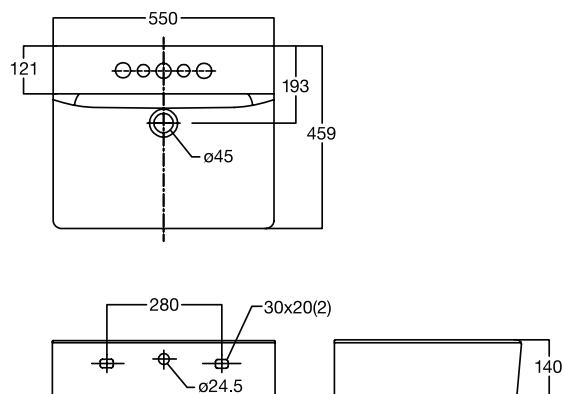
L548 x W460 x H145 mm



**Concept Square
550mm Wall Hung
Wash Basin**

CCASF550-1010410FO

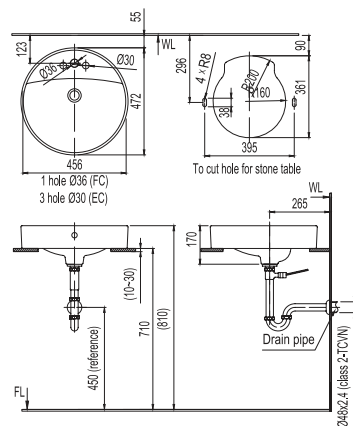
L549 x W459 x H140 mm



**Concept 500mm
Vessel Wash Basin**

CL0294F1-6DA10

L472 x W456 x H170 mm

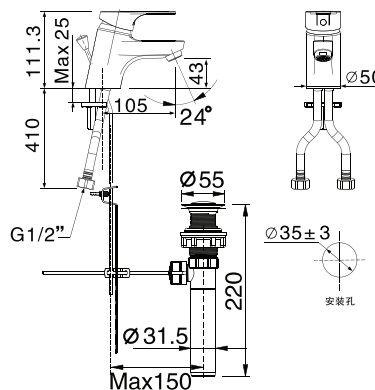


BASIN FAUCETS



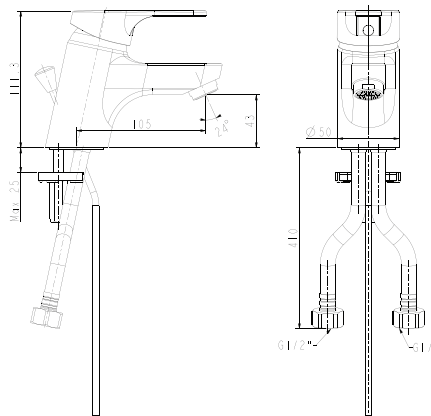
Concept Round Basin Mixer with Pop-up Drain

FFAS1401-101500BF0



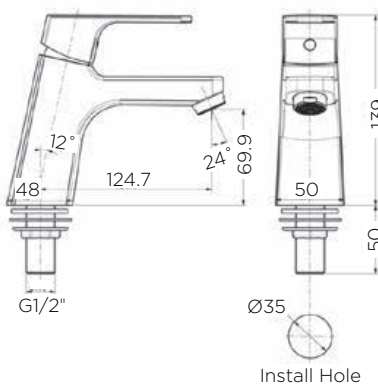
Concept Round Basin Mixer without Pop-up Drain

FFAS1401-101501BF0



Concept Square Basin Mono

FFAS0406-151500BA0

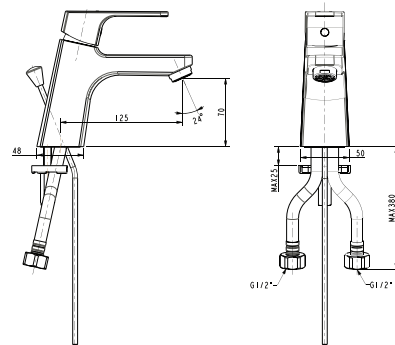


BASIN FAUCETS



Concept Square Basin Mixer

FFAS0401-151500BA0

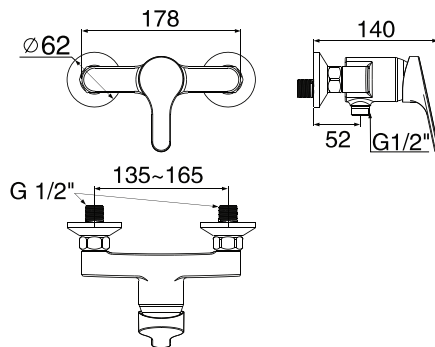


BATH & SHOWERS



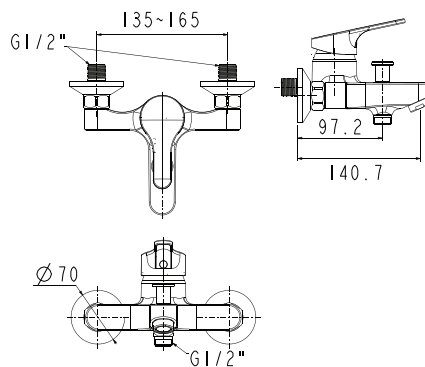
Concept Round Exposed Shower Mixer

FFAS1412-709500BFO



Concept Round Exposed Bath & Shower Mixer

FFAS1411-602500BFO

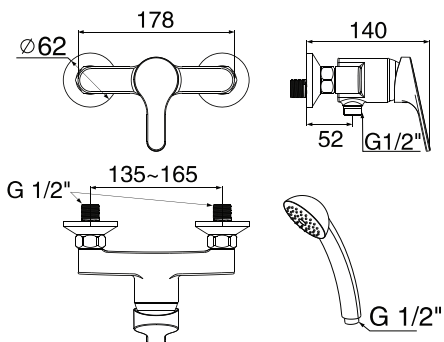


BATH & SHOWERS



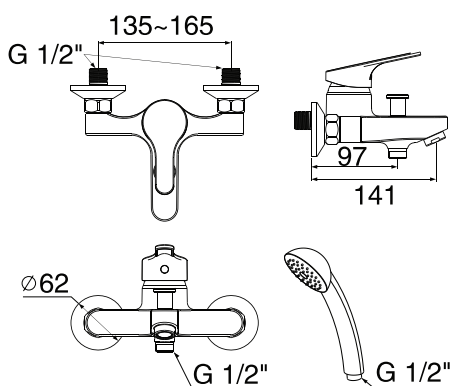
Concept Round Exposed Shower Mixer with Shower Kit

FFAS1412-701500BFO



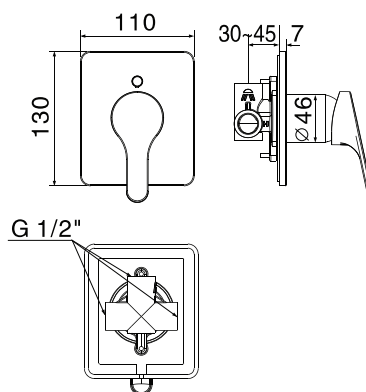
Concept Round Exposed Bath & Shower Mixer with Shower Kit

FFAS1411-601500BFO



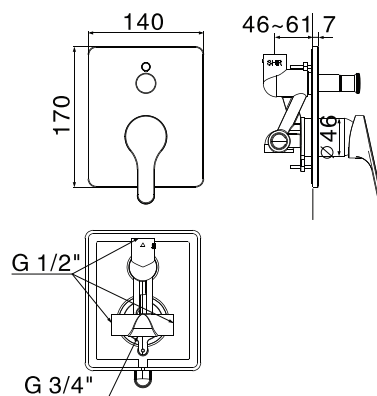
Concept Round Concealed Shower Mixer

FFAS1422-709500BFO



Concept Round Concealed Bath & Shower Mixer

FFAS1420-609500BFO

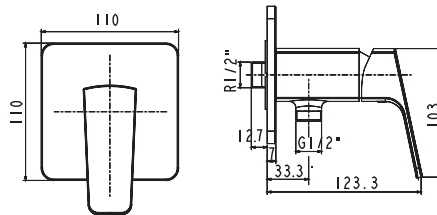


BATH & SHOWERS



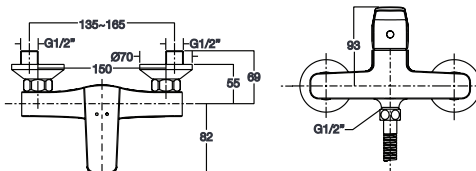
Concept Square
Exposed Shower Mono

FFAS0426-701500BFO



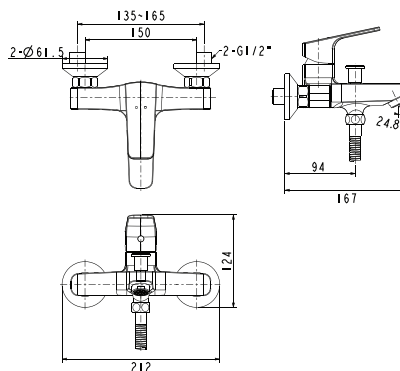
Concept Square
Exposed Shower Mixer

FFAS0412-709500BFO



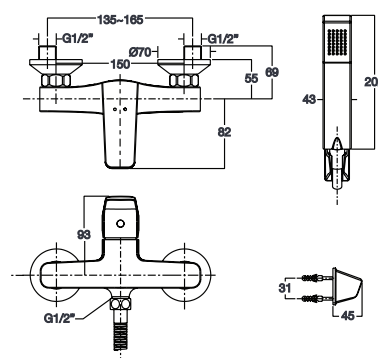
Concept Square
Exposed Bath & Shower Mixer

FFAS0411-609500BFO



Concept Square
Exposed Shower Mixer
with Shower Kit

FFAS0412-701500BFO

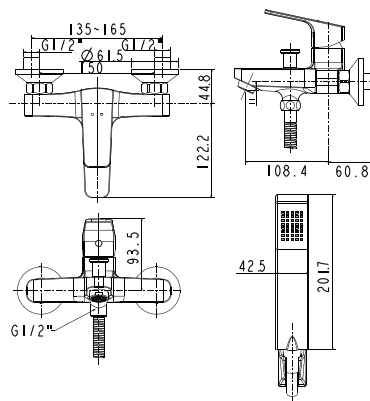


BATH & SHOWERS



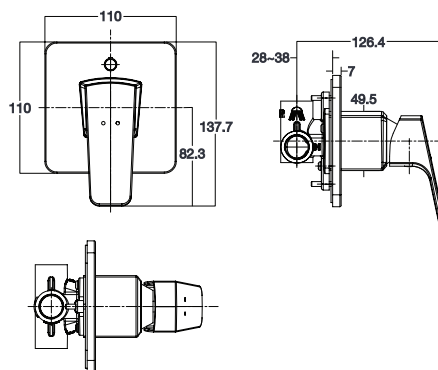
Concept Square
Exposed Bath & Shower Mixer
with Shower Kit

FFAS0411-601500BFO



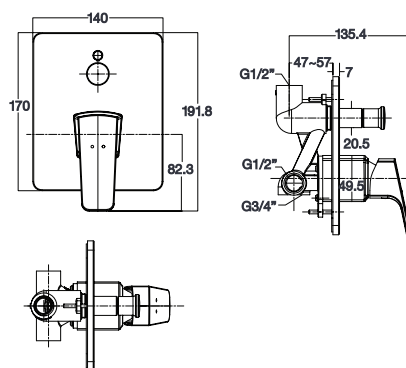
Concept Square
Concealed Shower Mixer

FFAS0422-709500BFO



Concept Square
Concealed Bath & Shower Mixer

FFAS0421-659500BA0



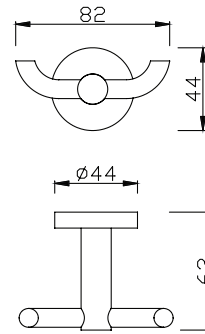
ACCESSORIES



Concept Round
Robe Hook

FFAS1481-908500BFO

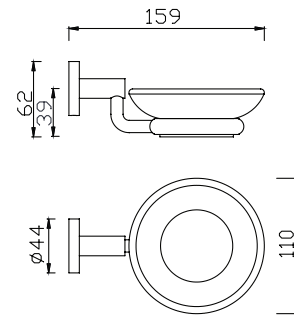
80-95mm, S-Trap



Concept Round
Soap Dish

FFAS1482-908500BFO

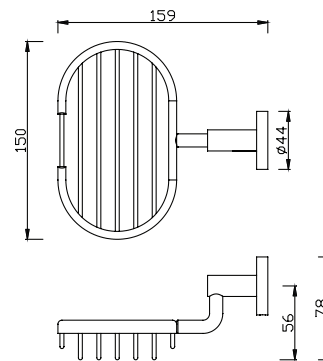
80-95mm, S-Trap



Concept Round
Grille Soap Dish

FFAS1483-908500BFO

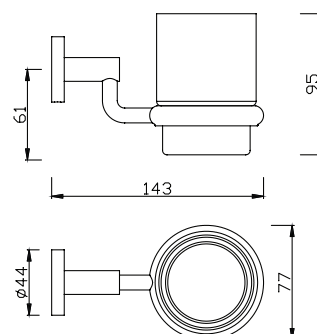
80-95mm, S-Trap



Concept Round
Glass Holder

FFAS1484-908500BFO

80-95mm, S-Trap



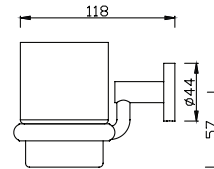
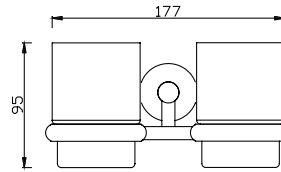
ACCESSORIES



Concept Round
Double Glass Holder

FFAS1485-908500BFO

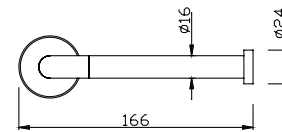
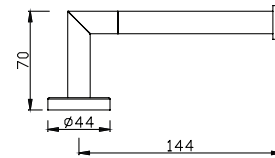
80-95mm, S-Trap



Concept Round
Paper Holder

FFAS1487-908500BFO

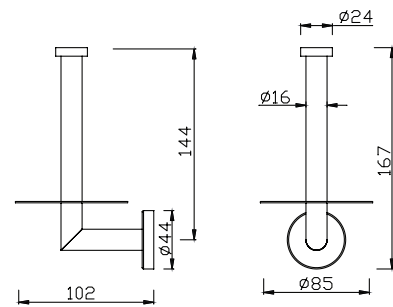
80-95mm, S-Trap



Concept Round
Vertical Paper Holder

FFAS1488-908500BFO

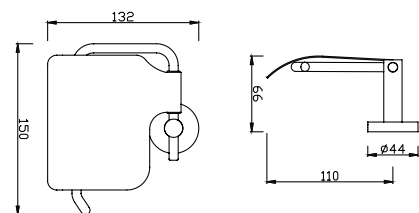
80-95mm, S-Trap



Concept Round
Paper Holder with Cover

FFAS1489-908500BFO

80-95mm, S-Trap

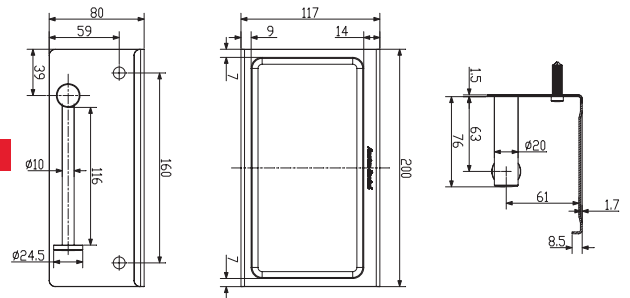


ACCESSORIES



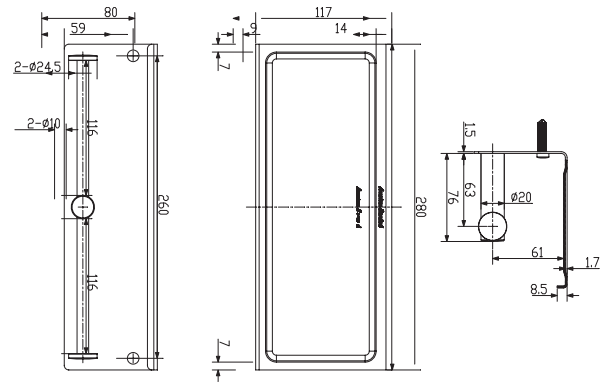
Concept Round
Single Tissue Holder
with Shelf

FFAS1498-908500BCO



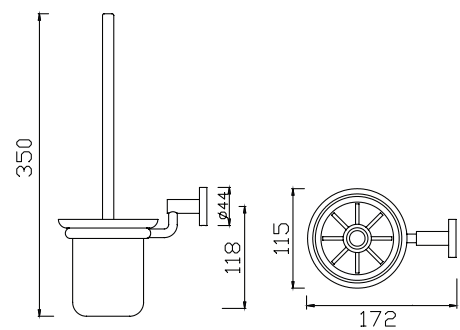
Concept Round
Double Tissue Holder
with Shelf

FFAS1499-908500BCO



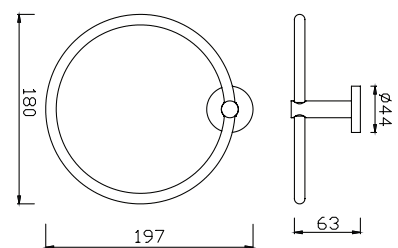
Concept Round
Toilet Brush

FFAS1486-908500BFO



Concept Round
Towel Ring

FFAS1490-908500BFO

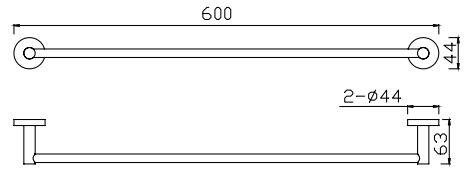


ACCESSORIES



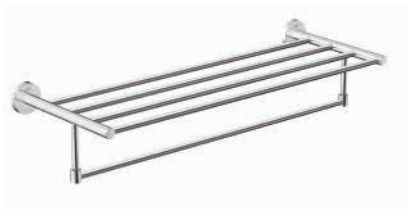
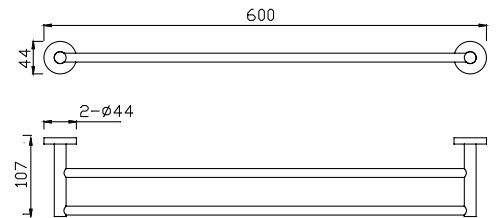
Concept Round
Towel Bar

FFAS1493-908500BFO



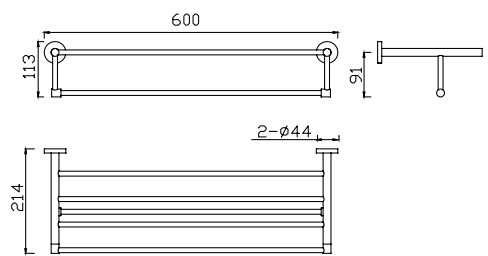
Concept Round
Double Towel Bar

FFAS1494-908500BFO



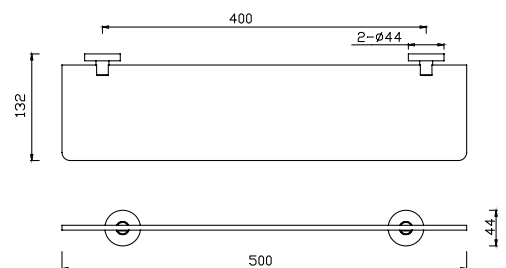
Concept Round
Towel Shelf

FFAS1495-908500BFO



Concept Round
Glass Shelf

FFAS1491-908500BFO



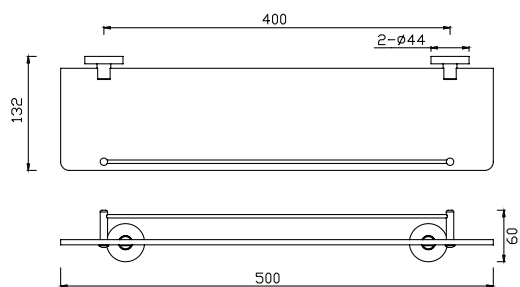
ACCESSORIES



Concept Round
Glass Shelf with Guard

FFAS1492-908500BFO

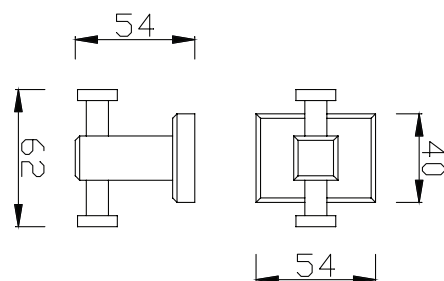
80-95mm, S-Trap



Concept Square Robe Hook

FFAS0481-908500BFO

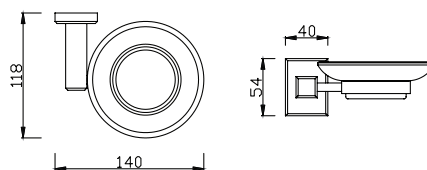
80-95mm, S-Trap



Concept Square
Soap Dish

FFAS0482-908500BFO

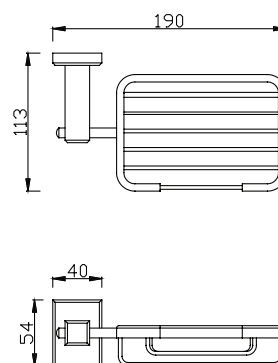
80-95mm, S-Trap



Concept Square
Grille Soap Dish

FFAS0483-908500BFO

80-95mm, S-Trap



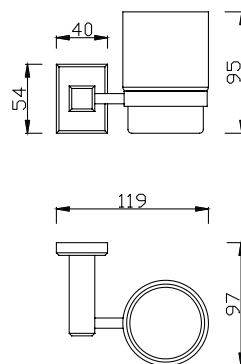
ACCESSORIES



**Concept Square
Glass Holder**

FFAS0484-908500BFO

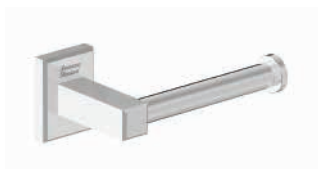
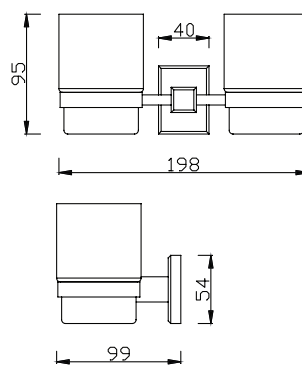
80-95mm, S-Trap



**Concept Square
Double Glass Holders**

FFAS0485-908500BFO

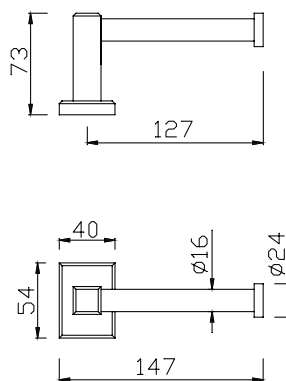
80-95mm, S-Trap



**Concept Square
Paper Holder**

FFAS0487-908500BFO

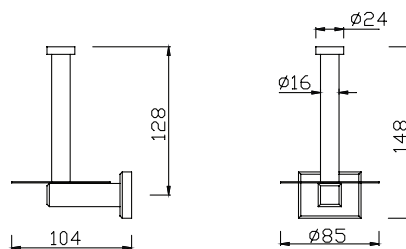
80-95mm, S-Trap



**Concept Square
Vertical Paper Holder**

FFAS0488-908500BFO

80-95mm, S-Trap

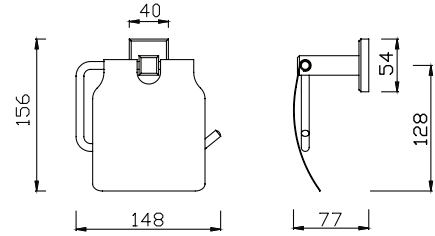


ACCESSORIES



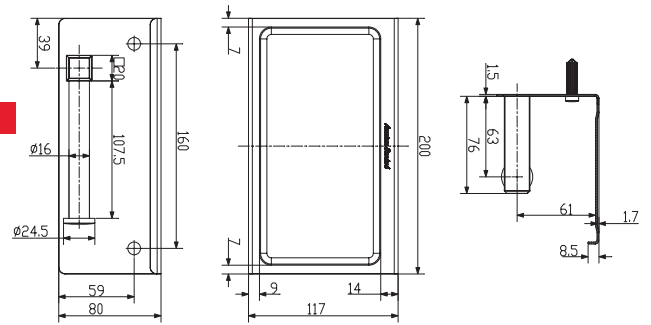
Concept Square
Paper Holder with Cover

FFAS0489-908500BFO



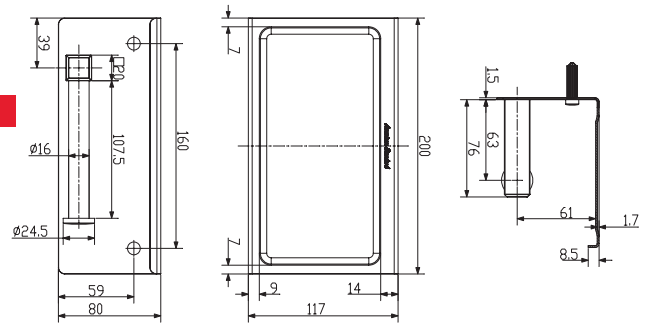
Concept Square
Single Tissue Holder
with Shelf

FFAS0498-908500BCO



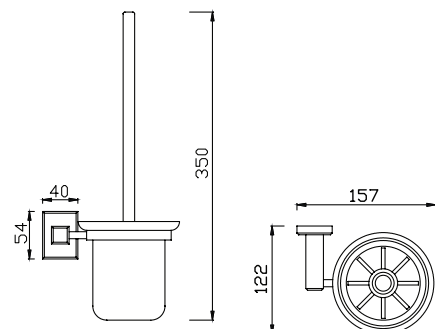
Concept Square
Double Tissue Holder
with Shelf

FFAS0499-908500BCO



Concept Square
Toilet Brush

FFAS0486-908500BFO

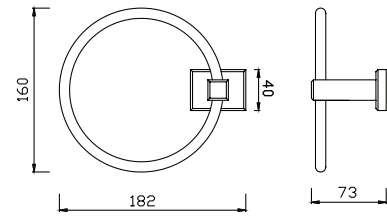


ACCESSORIES



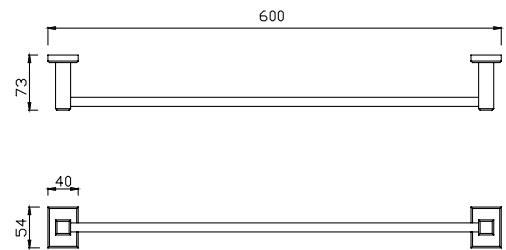
Concept Square
Towel Ring

FFAS0490-908500BFO



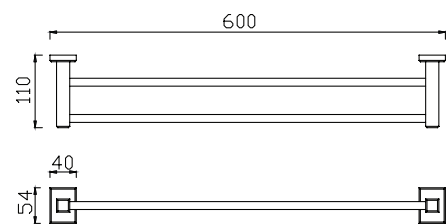
Concept Square
Towel Bar

FFAS0493-908500BFO



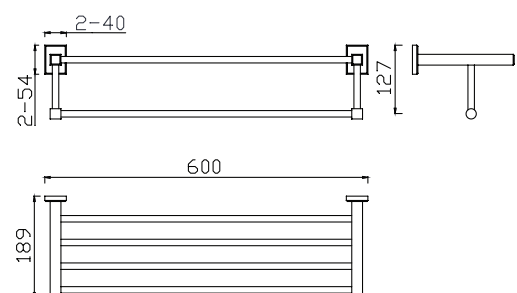
Concept Square
Double Towel Bar

FFAS0494-908500BFO



Concept Square
Towel Shelf

FFAS0495-908500BFO

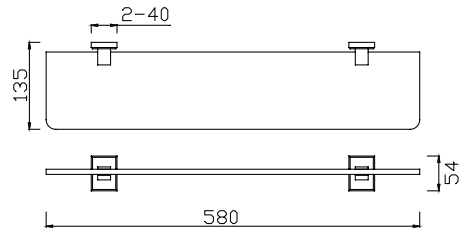


ACCESSORIES



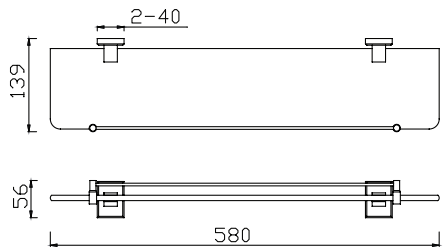
Concept Square
Glass Shelf

FFAS0491-908500BFO



Concept Square
Glass Shelf with Guard

FFAS0492-908500BFO



BATHTUBS



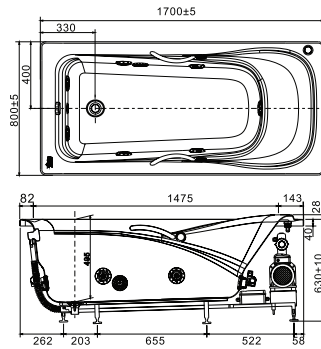
**Concept
Drop-In Tub
(Whirlpool with Handles)**

BTAS6716-2650403C5

L1700 x W800 x H640 mm

Acrylic with E-Fibre
Reinforcement

- Ozone
- Chromatherapy

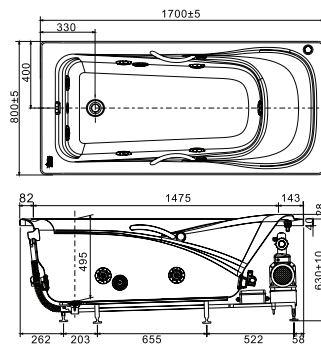


**Concept
Drop-In Tub (Whirlpool with Foot
& Lumber Massage; with
Handles)**

BTAS6716-2350403C5

L1700 x W800 x H640 mm

Acrylic with E-Fibre
Reinforcement

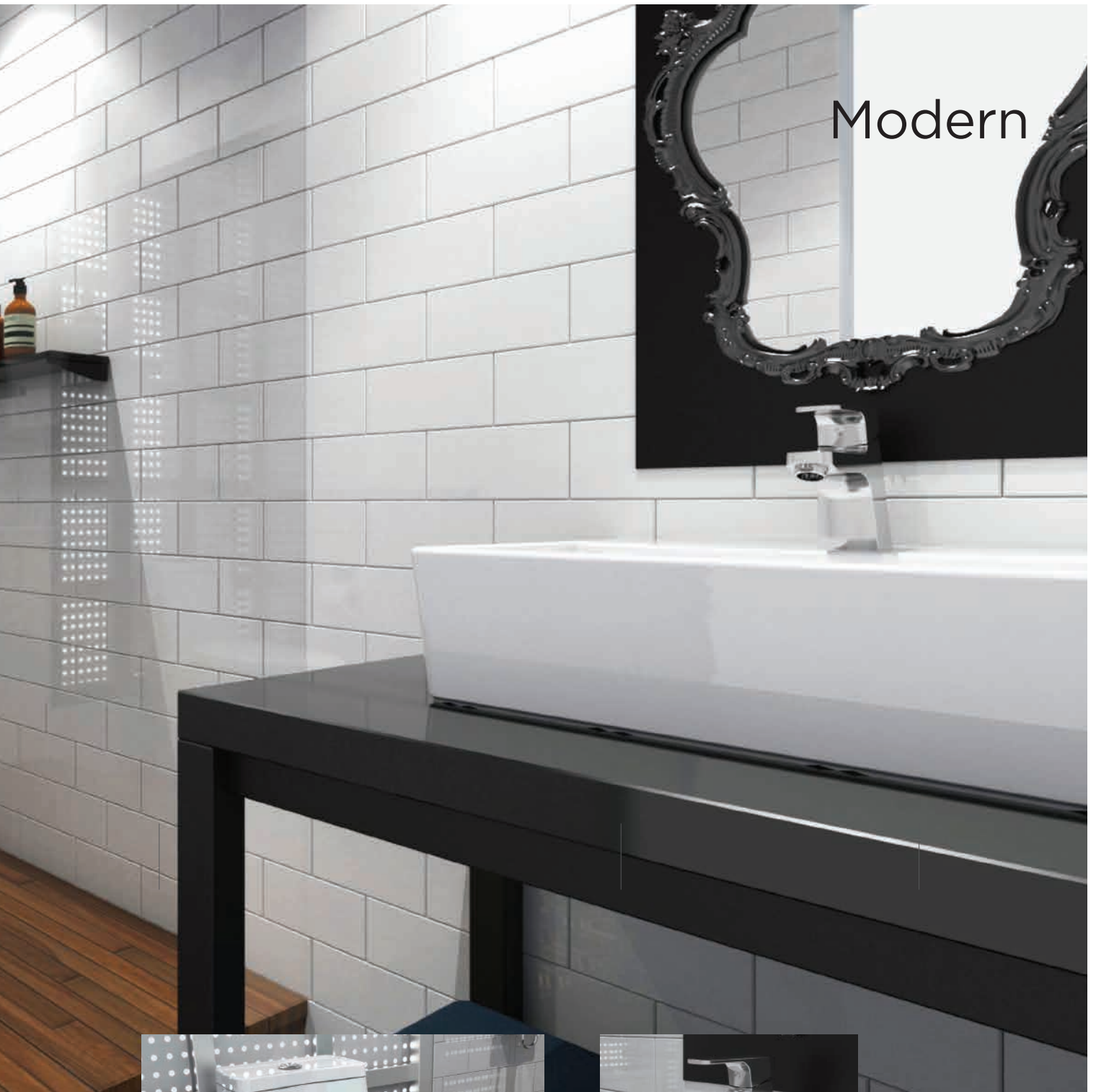


Flexio™



Soft & bold influences

A collection that truly meets the need for a his-and-hers dream bathroom. Flexio™ celebrates the union of soft contours and strong geometric design. The design offers an inviting and comfortable experience yet remains architectural. A harmonious balance is achieved as contrasting elements come together to create a unique modern appeal that expresses both soft curves and bold influences.



Modern



**Flexio
One-Piece Toilet**
C2530300-1MA21



**Simplicity Square
Basin Mixer**
FFAST501-151500BF0



**Square Thin
500mm Vessel Wash Basin
(with Faucet Deck)**
CL061311-1MA00

TOILETS

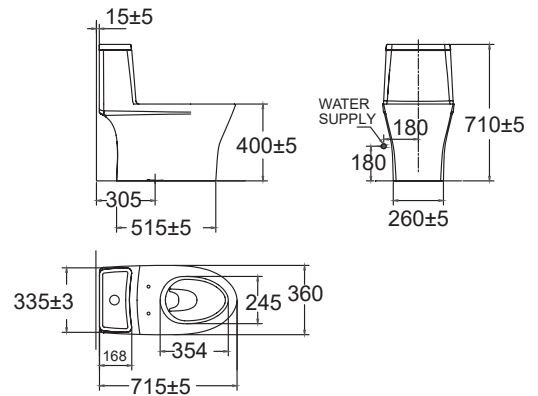


Flexio
One-Piece Toilet

C2530300-1MA21 (Bowl)
CL6104M-6D (Seat & Cover)
M11494 (S-Trap Connector)

L715 x W360 x H710 mm

Washdown
3/4.2 L Dual Flush
195-305mm, S Trap
Elongated Bowl

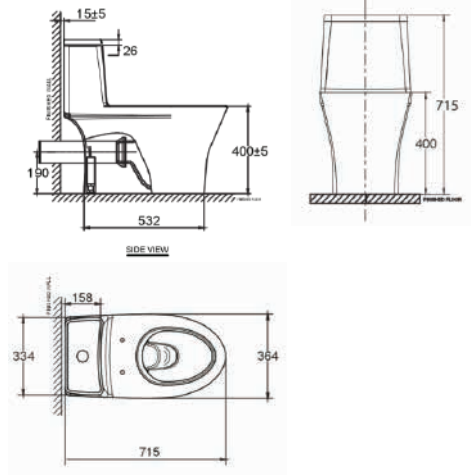


Flexio
One-Piece Toilet

C2530300-1MA21 (Bowl)
CL6104M-6D (Seat & Cover)

L715 x W367 x H720

Washdown
3/4.2 Dual Flush
190mm, P trap
Elongated Bowl



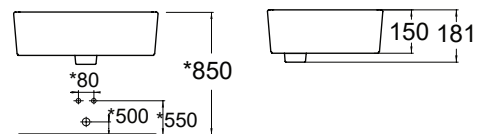
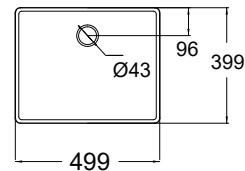
WASH BASINS



Square Thin
500mm Vessel Wash Basin

CCASF611-0000410F0

L500 x W400 x H181 mm



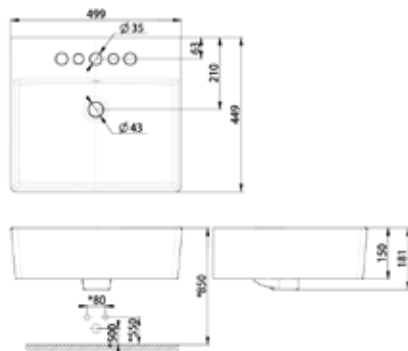
WASH BASINS



Square Thin
500mm Vessel with Deck
Wash Basin

CLO613I1-1MA00

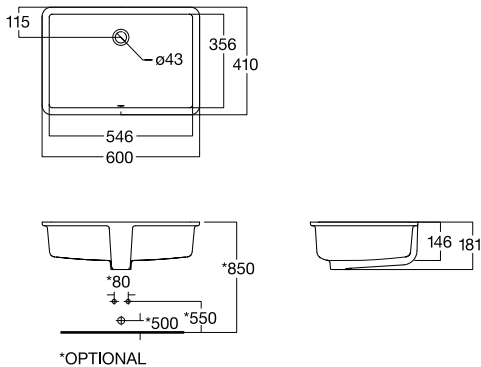
L500 x W450 x H181 mm



Square Thin
600mm Undercounter
Wash Basin

CCASF513-1000410F0

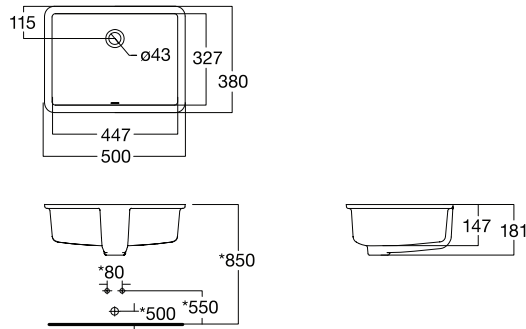
L600 x W410 x H181 mm



Square Thin
500mm Undercounter
Wash Basin

CCASF514-1000410F0

L500 x W380 x H181 mm

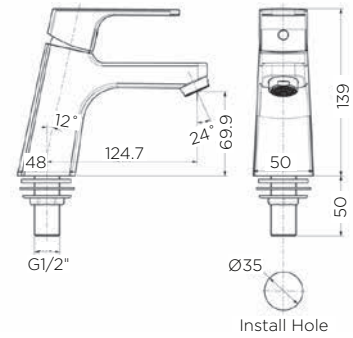


BASIN FAUCETS



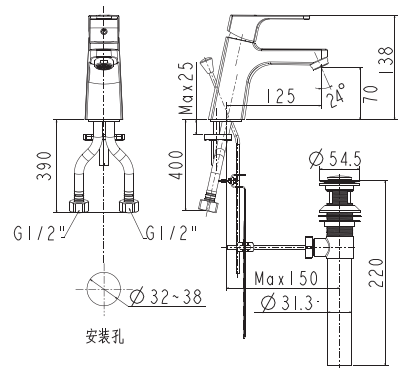
Simplicity Square
Basin Mono

FFAST506-151500BA0



Simplicity Square
Basin Mixer

FFAST501-151500BFO

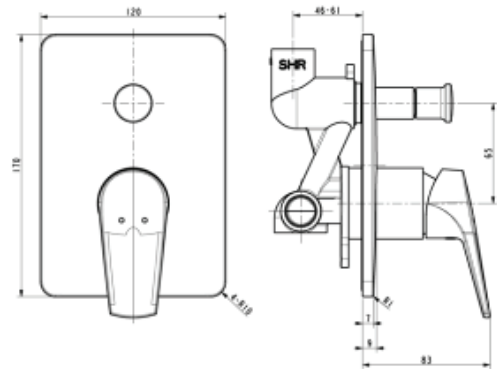


BATH & SHOWERS



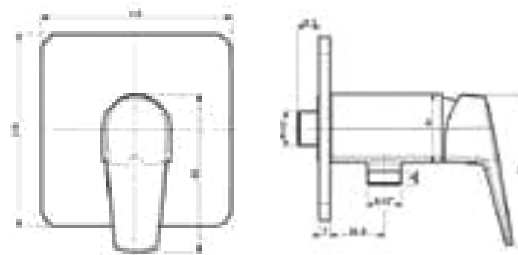
Simplicity Square
Concealed Bath & Shower Mixer

FFAST521-659500BFO



Simplicity Square
Exposed Shower Mono

FFAST526-701500BFO

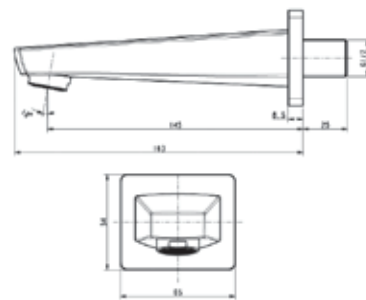


BATH SPOUT



Simplicity Square
Bath Spout

FF1-CN521X00000480





Neo Modern™

Convenience & smart functionality

For those who value practical comfort and clever functionality with a modern look. Neo Modern™ combines convenience and smart functionality to meet evolving needs of modern living. The collection explores the tangible, ergonomic details that elevate your experience. And the simplicity of this collection allows you to pair it easily with any bathroom styles.

Modern



**Neo Modern
Close-Coupled Toilet**

CL26305-6DACTST



**Neo Modern
Extended Basin Mixer**

FFAS0703-151500BA0



**Neo Modern
Vessel Wash Basin**

CCASF633-0000410F0

TOILETS

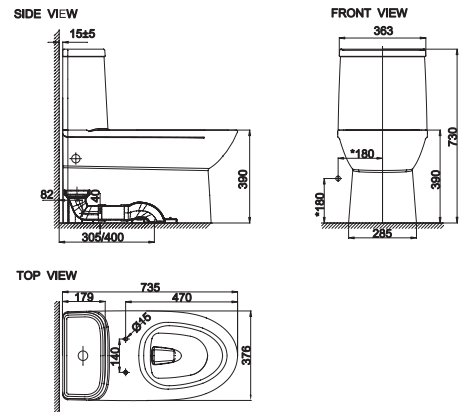


Neo Modern
One-Piece Toilet 305mm

CCAS2073-1110410F0 (Bowl)
CCASC630-0200410C0 (Seat & Cover)

SiphonMax
L735 x W376 x H730 mm

4.8 L Single Flush
305 mm, S-Trap
Elongated Bowl

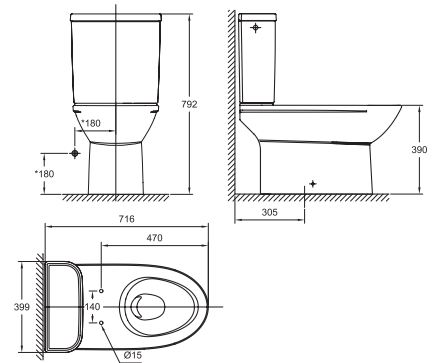


Neo Modern
Close Coupled Toilet

CL26305-6DACTST

L716 x W399 x H792 mm

Washdown
3/4.5 L Dual Flush
305 mm, S-Trap
Elongated Bowl



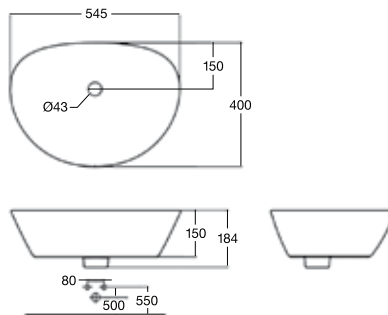
WASH BASINS



Neo Modern
Vessel Wash Basin

CCASF633-0000410F0

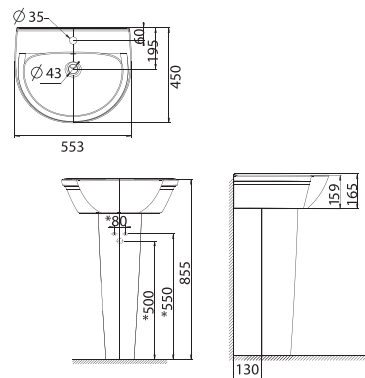
L545 x W400 x H184 mm



Neo Modern
550mm Full Pedestal
Wash Basin

**CL0953I-6DACTLW/
CL900PII-1MA00**

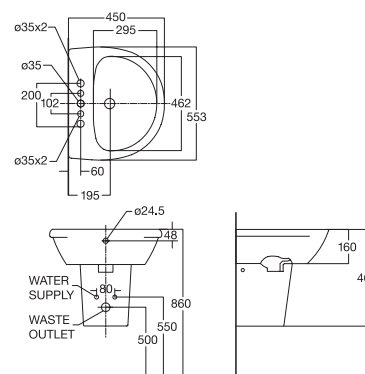
L553 x W450 x H860 mm



Neo Modern
550mm Semi Pedestal
Wash Basin

**CL0953I-6DACTLW/
CL0741PII-1MA00**

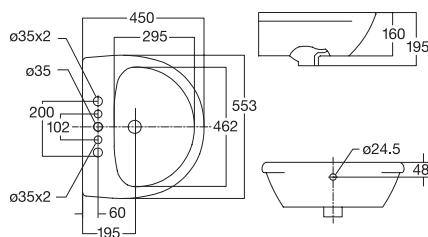
L553 x W450 x H460 mm



Neo Modern
550mm Wall Hung Wash Basin

CL0953I-6DACTLW

L553 x W450 x H195 mm

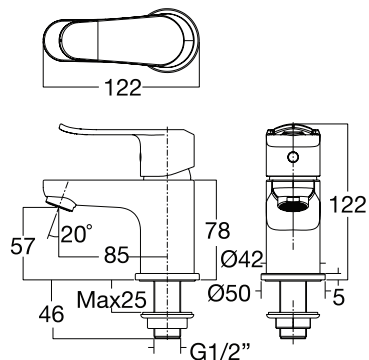


BASIN FAUCETS



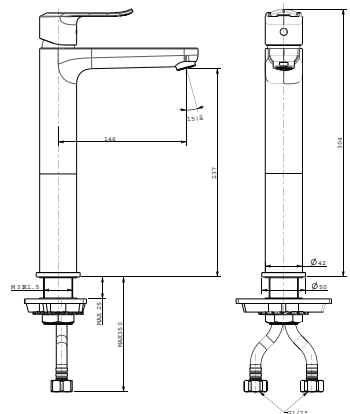
Neo Modern
Basin Mono

FFAS0706-151500BA0



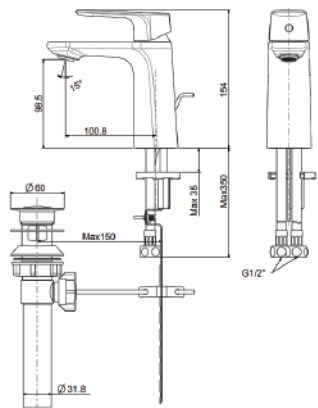
Neo Modern
Extended Basin Mono

FFAS0707-101500BF0



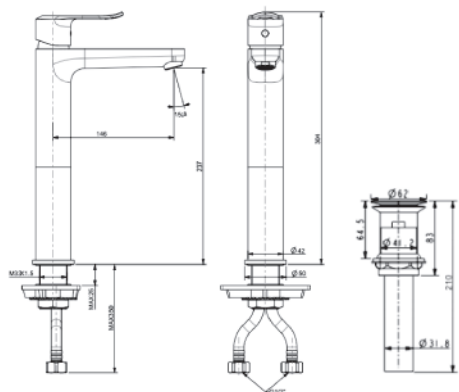
Neo Modern
Basin Mixer with Pop-up Drain

FFAS0701-151500BA0



Neo Modern
Extended Basin Mixer with Pop-up Drain

FFAS0703-151500BA0

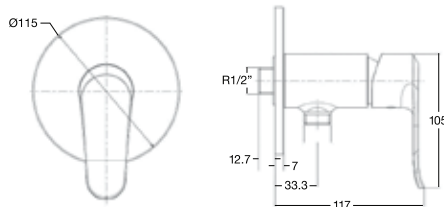


BATH & SHOWERS



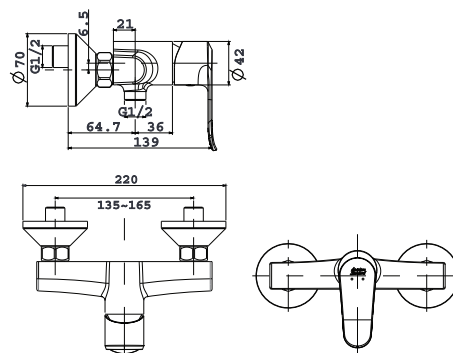
Neo Modern
Exposed Shower Mono

FFAS0726-701500BFO



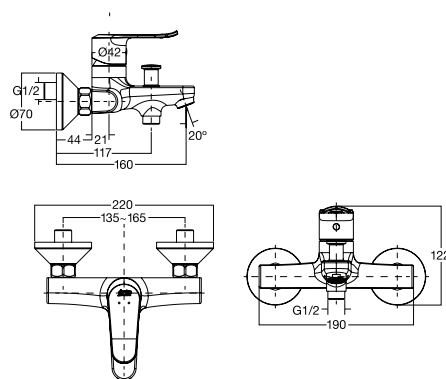
Neo Modern
Exposed Shower Mixer

FFAS0712-709500BFO



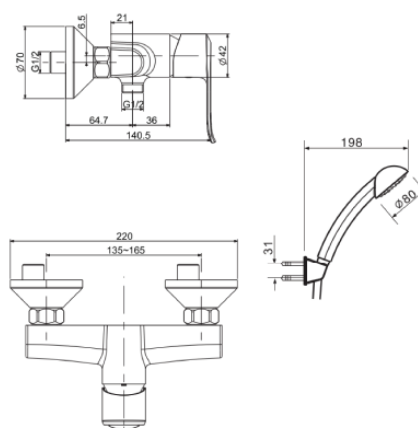
Neo Modern
Exposed Bath & Shower Mixer

FFAS0711-601506BFO



Neo Modern
Exposed Shower Mixer with
Shower Kit

FFAS0712-701500BFO

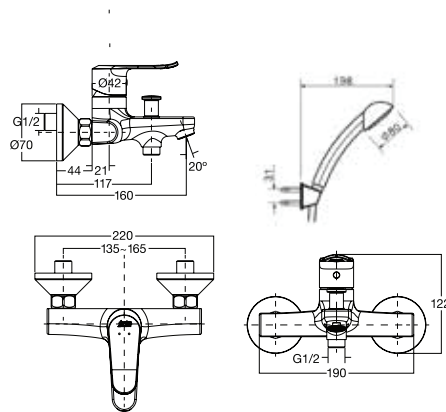


BATH & SHOWERS



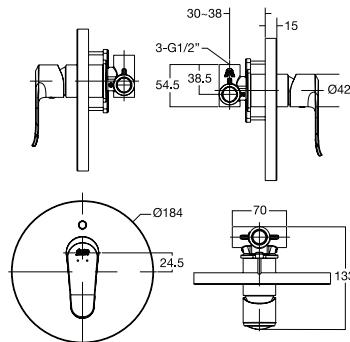
Neo Modern
Exposed Bath & Shower Mixer
with Shower Kit

FFAS0711-651500BA0



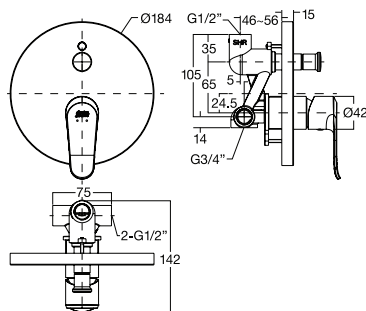
Neo Modern
Concealed Shower Mixer

FFAS0722-709500BF0



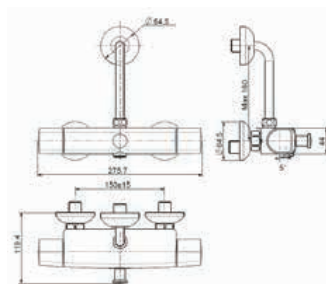
Neo Modern
Concealed Bath & Shower Mixer

FFAS0721-659500BA0



Neo Modern
L Bend Mixer

FFAS0714-604090BA0 (White)
FFAS0714-604500BA0 (Chrome)

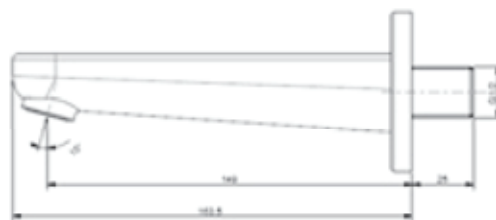


BATH SPOUT



Neo Modern
Bath Spout

FF1-CN521X00000477



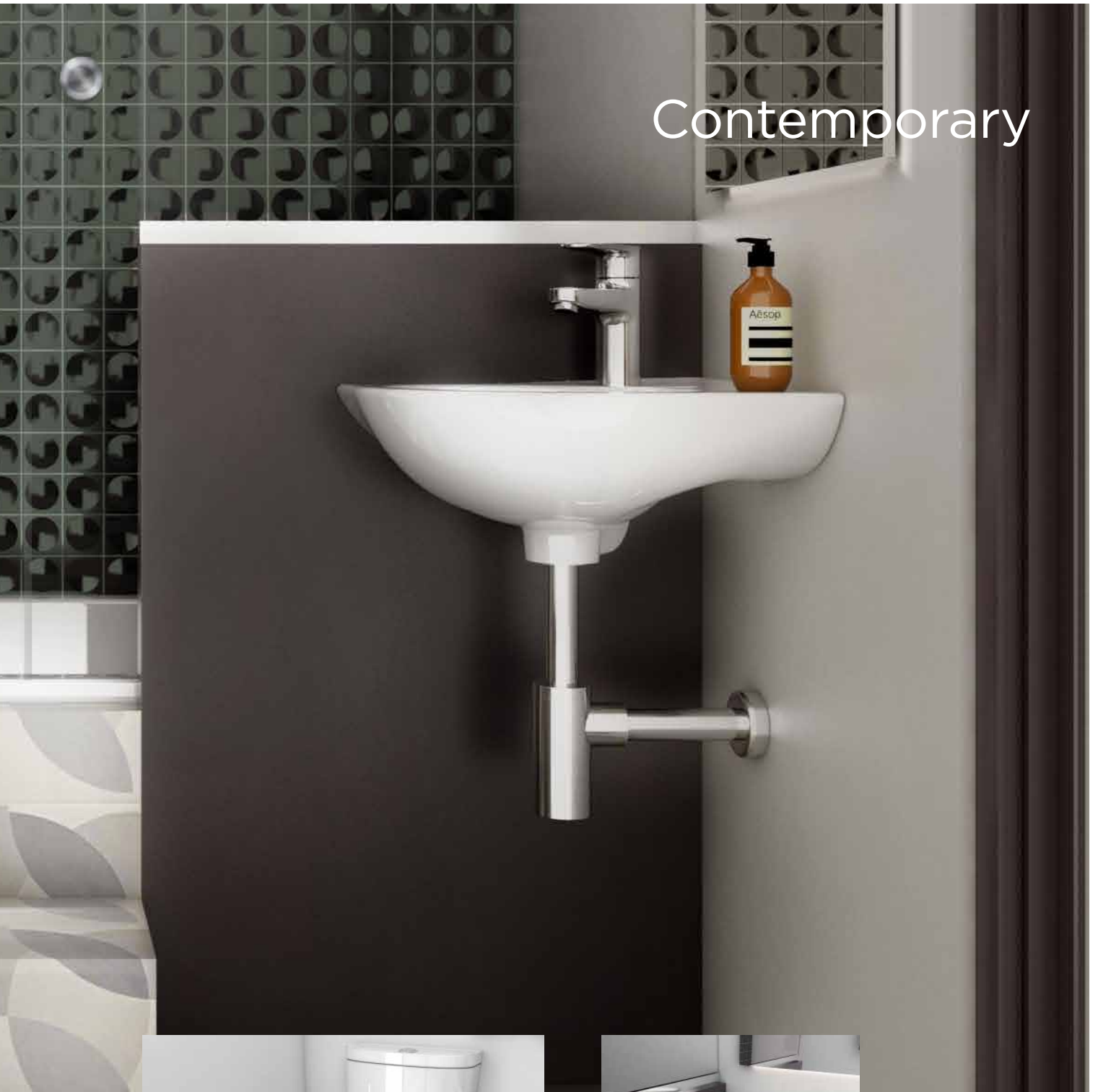
Compact Codie™



Space-saving collection

Size isn't everything, but bathrooms are getting smaller. Designed as a space saving solution, Compact Codie™ creates more out of less even in the smallest of space by integrating practical and streamlined attributes, so even a bathtub can fit in for some me-time space.

Contemporary



**Compact Codie
Close-Coupled Toilet**

CL24075-6DACTCB



**Simplica
Basin Mixer**

FFASB201-101501BF0



**New Codie
Wall Hung Corner
Wash Basin**

CCAS0220-1010410FO

Compact Codie

TOILETS

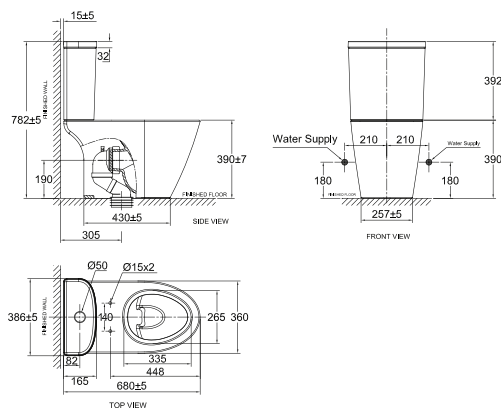


**Compact Codie
Close Coupled Toilet**

CL24075-6DACTCB

L680 x W386 x H782 mm

Washdown
3/4.2 L Dual Flush
305 mm, S-Trap
Semi-Elongated Bowl



Compatible with:
Concealed Cisterns



Concept Oblong
(Best Design Match)



Concept Pillow

Concealed Flush Valve



Concept Arc Dual FV

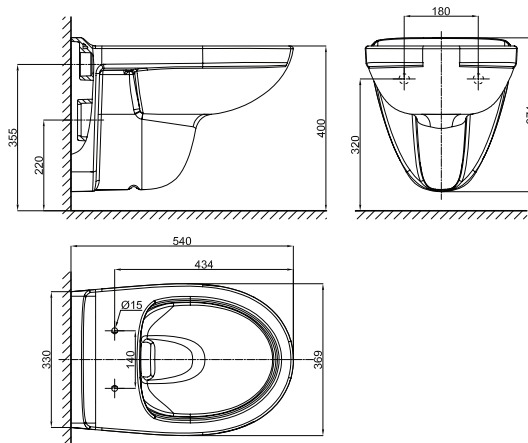


**Compact Codie
Wall Hung**

**CCAS3207-3W20410F0 (Bowl)
CCASC128-0200410A0 (Seat & Cover)**

L368 x W540 x H373mm

Washdown with Hygiene Rim
3 / 4.5L Dual flush
220mm, P trap



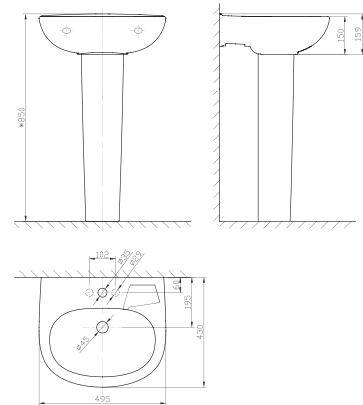
WASH BASINS



New Codie
Full Pedestal 430mm
Round Wash Basin

CCAS1530-1010410F0
(Wash Basin)
CL900PI1-1MA00 (Pedestal)

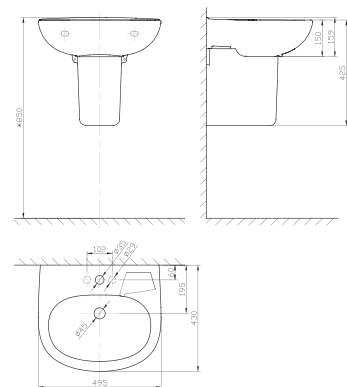
L495 x W430 x H850 mm



New Codie
Semi Pedestal 430mm
Round Wash Basin

CCAS1530-1010410F0
(Wash Basin)
CL0741PI1-1MA00
(Semi-Pedestal)

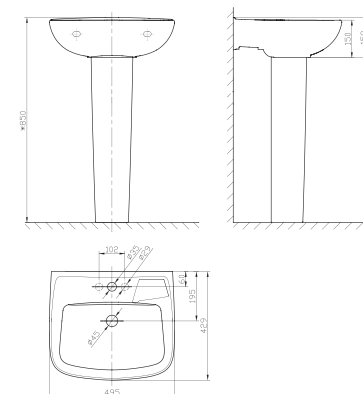
L495 x W430 x H425 mm



New Codie
Full Pedestal 430mm
Square Wash Basin

CCAS1560-1010410F0
(Wash Basin)
CL900PI1-1MA00 (Pedestal)

L495 x W430 x H850 mm



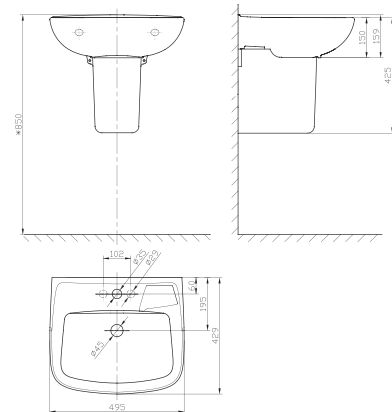
WASH BASINS



New Codie
Semi Pedestal 430mm
Square Wash Basin

CCAS1560-1010410FO
(Wash Basin)
CL0741PI1-1MA00
(Semi-Pedestal)

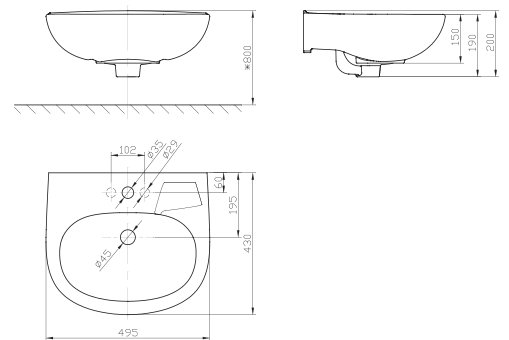
L495 x W430 x H425 mm



New Codie
Wall Hung 430mm
Round Wash Basin

CCAS1530-1010410FO

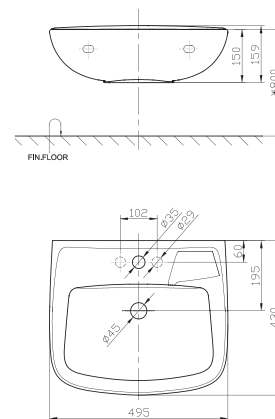
L495 x W430 x H195 mm



New Codie
Wall Hung 430mm
Square Wash Basin

CCAS1560-1010410FO

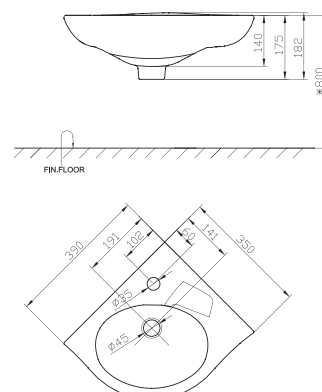
L495 x W430 x H159 mm



New Codie
Wall Hung Corner Wash Basin

CCAS0220-1010410FO

L390 x W350 x H182 mm



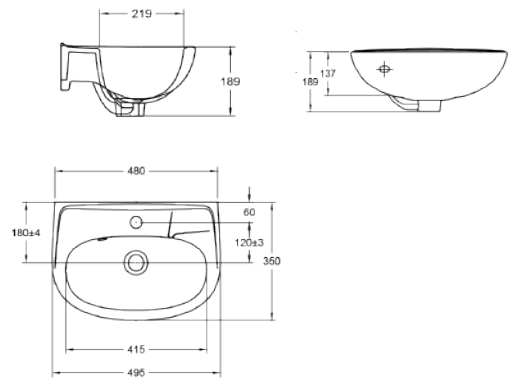
WASH BASINS



**New Codie-R Round
Small Wall Hung
Wash Basin**

CL0945I-6DAWDLW

L495 x W350 x H189mm

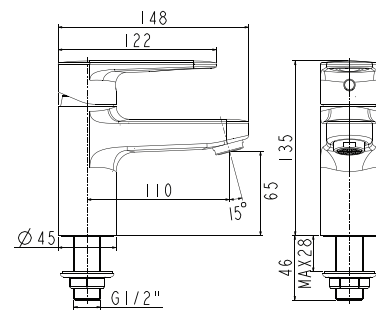


BASIN FAUCETS



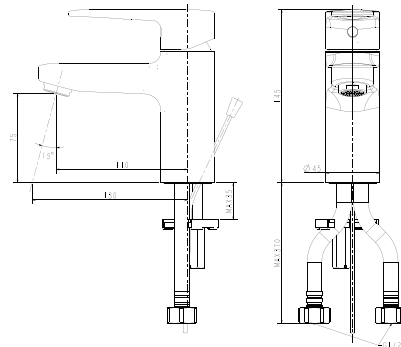
**Simplica
Basin Mono**

FFASB206-101500BFO



**Simplica
Basin Mixer**

FFASB201-101501BFO

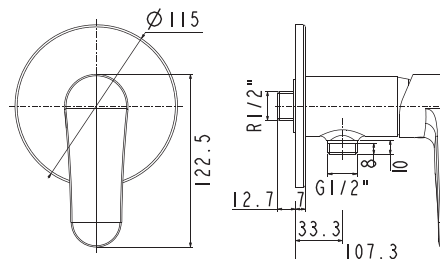


BATH & SHOWERS



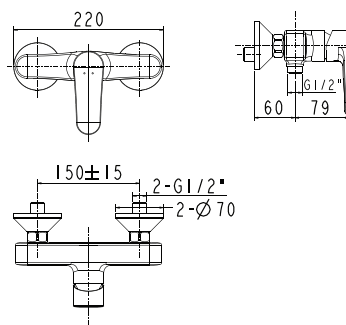
Simplicia
Exposed Shower Mono

FFASB226-701500BFO



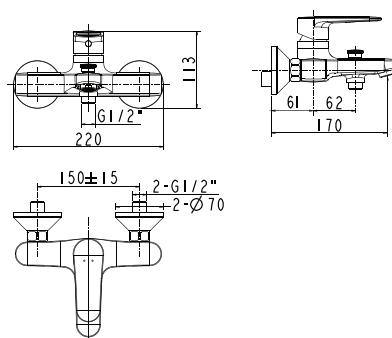
Simplicia
Exposed Shower Mixer

FFASB212-709500BFO



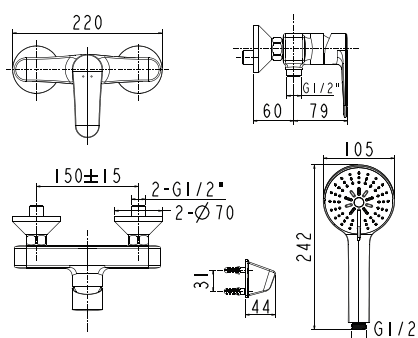
Simplicia
Exposed Bath & Shower Mixer

FFASB211-609500BFO



Simplicia
Exposed Shower Mixer
with Shower Kit

FFASB212-701500BFO

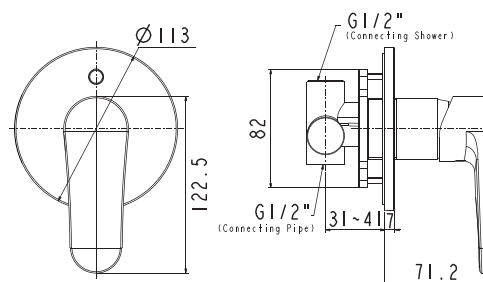


BATH & SHOWERS



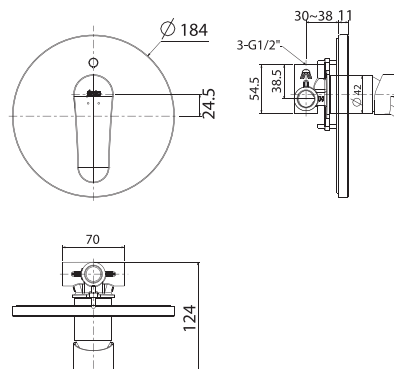
Simplicia
Concealed Shower Mono

FFASB236-709500BFO



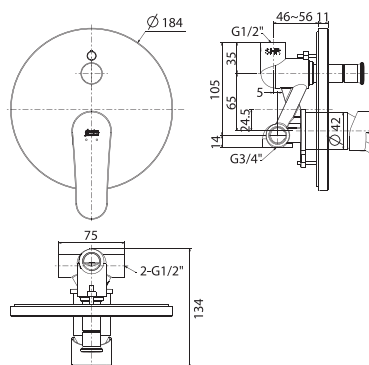
Simplicia
Concealed Shower Mixer

FFASB222-709500BFO



Simplicia
Concealed Bath & Shower Mixer

FFASB221-609500BFO



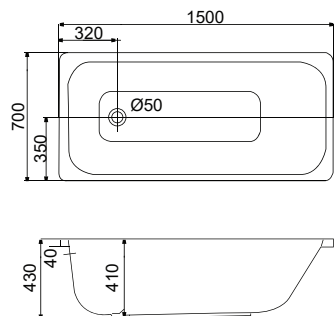
BATHTUBS



**New Codie
1.5M Acrylic Drop-in Tub**

BTAS6512-0520403C5

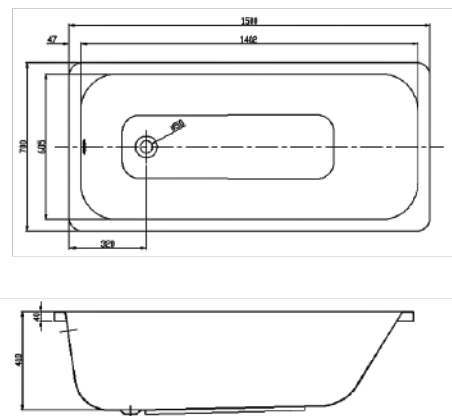
L1500 x W700 x H430 mm
Acrylic with E-Fibre Reinforcement



**New Codie
1.5M Acrylic Drop-in Tub,
HEA(project pallet package)**

BTAS6512-0020403C0

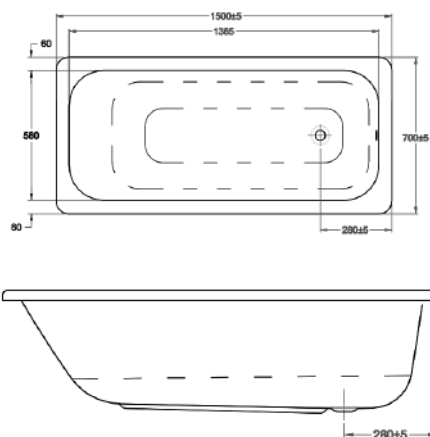
L1500 x W700 x H410 mm
Acrylic with good heat resistance and heat retaining property



**New Codie
1.5M Drop-In Tub WT**

B70280-6DACT

L1500 x W700 x H430 mm
Acrylic with good heat resistance and heat retaining property





Cadet™



Safe and comfortable solutions for your family

A contemporary interpretation of calmness, Cadet™ draws inspiration from the protective element of the infinite round shape. Well-rounded contours promise safety for the family and redefines the fundamentals of bathroom comfort.

Contemporary



**Cadet
One-Piece Toilet**
CCAS1841-1120410CO



**Seva
Basin Mixer**
FFAS6501-102500BFO



**Cadet
Undercounter
Wash Basin**
CL221611-1MA00

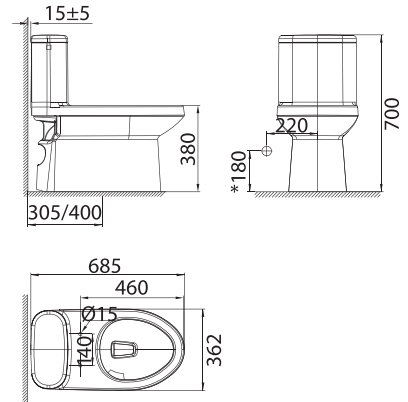
TOILETS



**Cadet
One-Piece Toilet**

**CCAS1841-1120410C0 (Bowl)
CCASC791-0200410C0
(Seat & Cover)**

L685 x W362 x H700 mm
SiphonMax
4/6 L Dual Flush
305 mm, S-Trap
Elongated Bowl



Compatible with:
Concealed Cisterns



Concept Oblong



Concept Pillow

Concealed Flush Valve



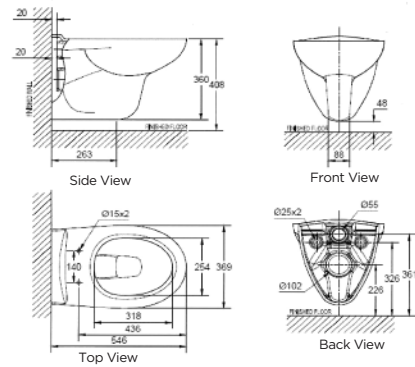
Concept Arc Dual FV
(Best Design Match)



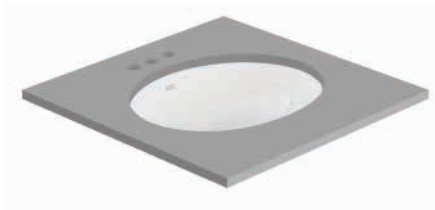
**Cadet Wall
Hung toilet**

**CCAS3128-3W20410A0 (Bowl)
CCASC128-0200410A0
(Seat & Cover)**

L546 x W369 x H360mm
Washdown
3/ 6 L, Dual Flush
220mm, P-Trap
Oval Bowl



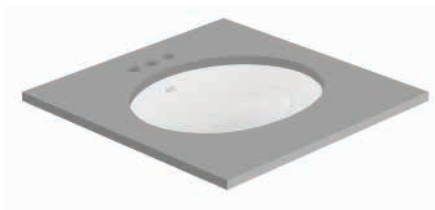
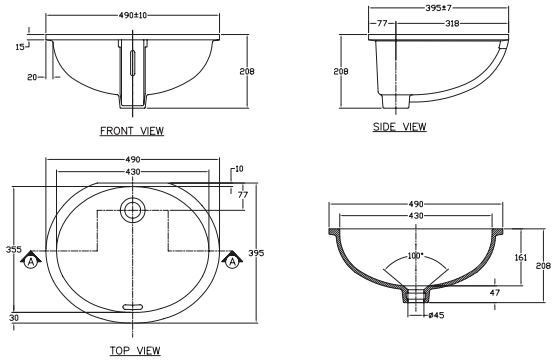
WASH BASINS



**AS Ovalyn
19" Undercounter Wash Basin**

CL0470I-6DAWDLU

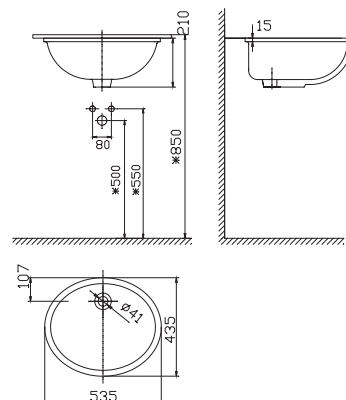
L490 x W395 x H208mm



**AS Ovalyn
21" Undercounter Wash Basin**

CL2216I1-1MA00

L535 x W435 x H210mm

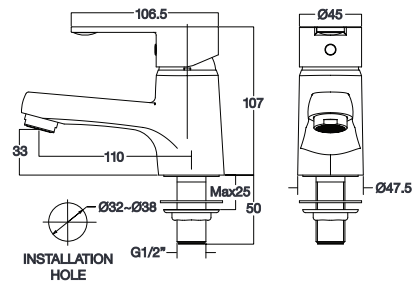


BASIN FAUCETS



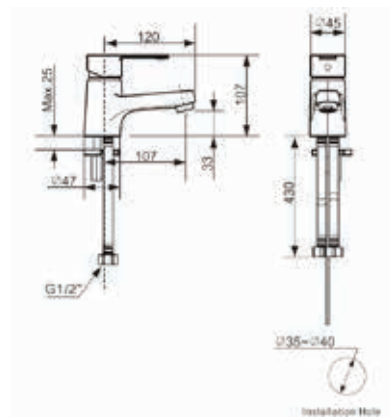
Seva
Basin Mono

FFAS6506-101500BF0



Seva
Basin Mixer

FFAS6501-102500BF0

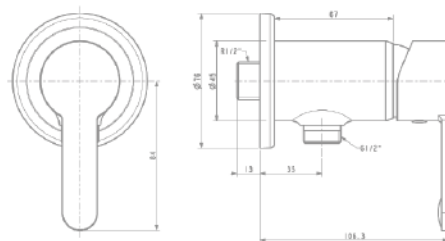


BATH & SHOWERS



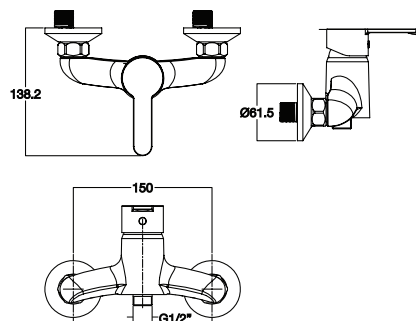
Seva
Exposed Shower Mono

FFAS6526-701500BF0



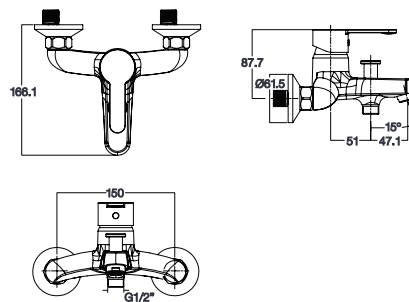
Seva
Exposed Shower Mixer

FFAS6512-709500BF0



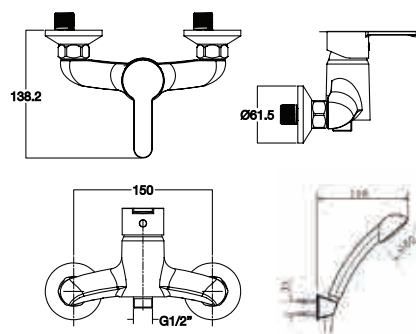
Seva
Exposed Bath & Shower Mixer

FFAS6511-6P3500BP0



Seva
Exposed Shower Mixer
with Shower Kit

FFAS6512-701500BF0

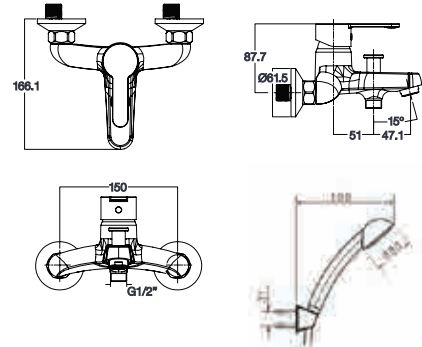


BATH & SHOWERS



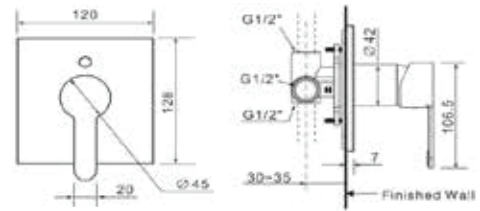
Seva
Exposed Bath & Shower
Mixer with Shower Kit

FFAS6511-601500BFO



Seva
Concealed Shower Mixer

FFAS6521-609500BFO

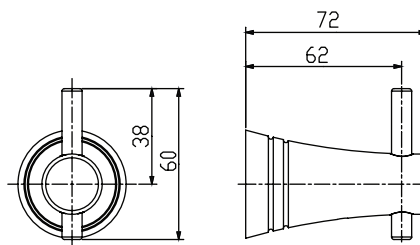


ACCESSORIES



Seva
Robe Hook

FFAS6581-908500BF0

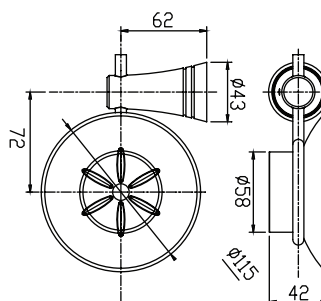


72



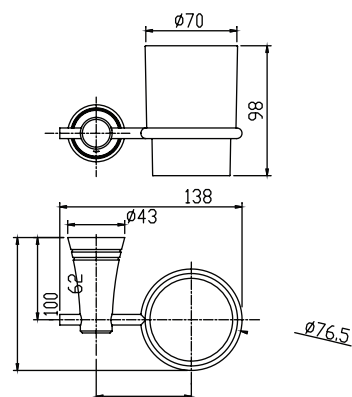
Seva
Soap Dish

FFAS6582-908500BF0



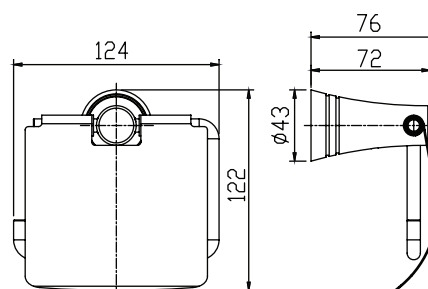
Seva
Concealed Shower Mixer

FFAS6583-908500BF0



Seva
Concealed Shower Mixer

FFAS6586-908500BF0

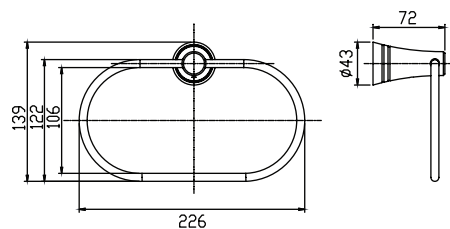


ACCESSORIES



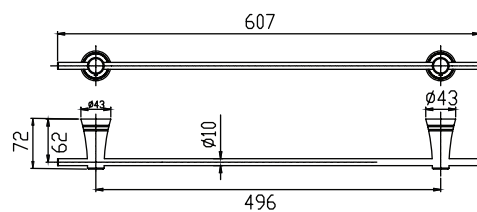
Seva
Towel Ring

FFAS6590-908500BFO



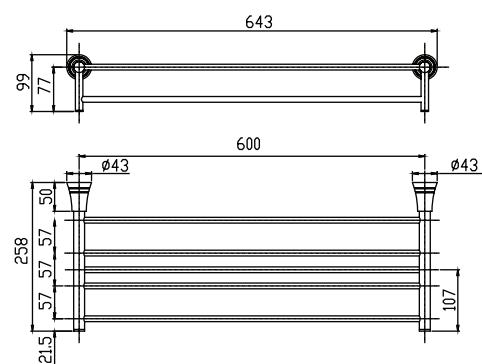
Seva
Towel Bar

FFAS6588-908500BFO



Seva
Towel Shelf

FFAS6589-908500BFO



Winston™



Basic can be fun

A new contemporary hip is in town. New yet sensible, straightforward yet vibrant. Winston™ mimics silhouettes of crosses and straight lines into practical novelty. Perfect for the modest family looking for that extra bit of trendy fun in everyday bathroom living.

Contemporary



**Winston
Close-Coupled Toilet**

CCAS4797-0120410AO (Tank)
CCAS3396-1120410AO (Bowl)
CRTS480S-1M (Seat & Cover)



**Winston
Pillar Tap (Cross Handle)**

FFAST701-101500BF0



TOILETS



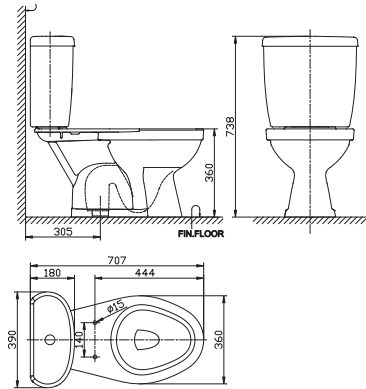
**Winston
Close Coupled Toilet**

CCAS4797-0120410A0 (Tank)
CCAS3396-1120410A0 (Bowl)
CRTS480S-1M (Seat & Cover)

L707 x W390 x H738 mm
 Washdown
 3/4.5 L Dual Flush
 305mm, S-Trap
 Semi-Elongated Bowl



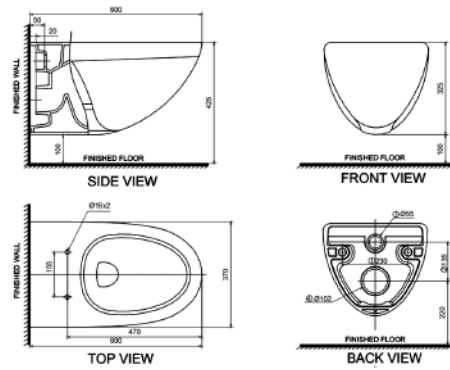
CC1-CN511P9000A505 (Rubber gasket to be ordered separately)



**Winston
Wall hung toilet**

CCAS3130-3W20410A0 (Bowl)
CF070001-6DF00-N (Seat & Cover)

L600 x W370 x H325mm
 Washdown, Comfort Clean
 3/ 6 L, Dual Flush
 220mm, P-Trap
 Elongated Bowl



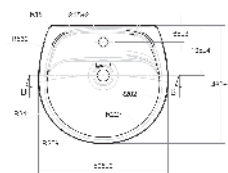
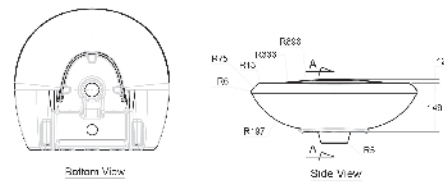
WASH BASINS



Winston Wall Hung Wash Basin with Rag Bolt holes

CCAS0279-1110410A0

L506 x W460 x H194 mm

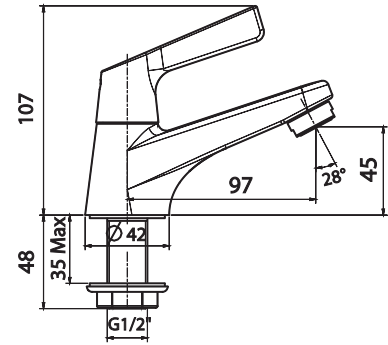


BASIN FAUCETS



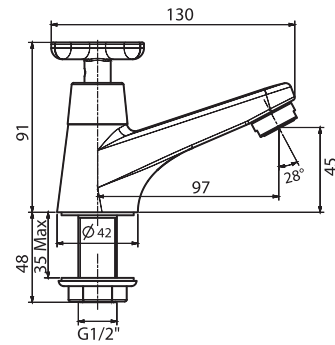
Winston
Pillar Tap (Lever Handle)

FFAST601-101500BFO



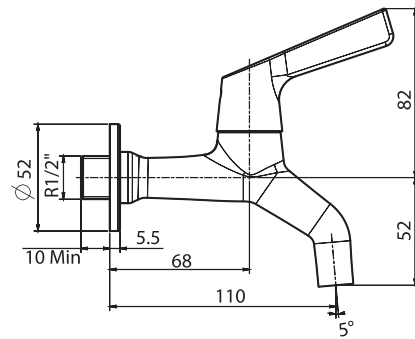
Winston
Pillar Tap (Cross Handle)

FFAST701-101500BFO



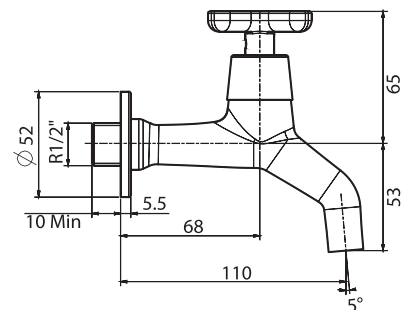
Winston
Wall Tap (Lever Handle)

FFAST602-000500BFO



Winston
Wall Tap (Cross Handle)

FFAST702-000500BFO

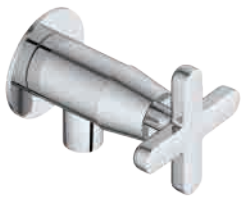
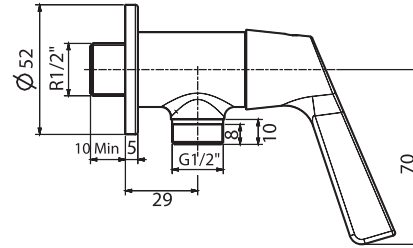


BATH & SHOWERS



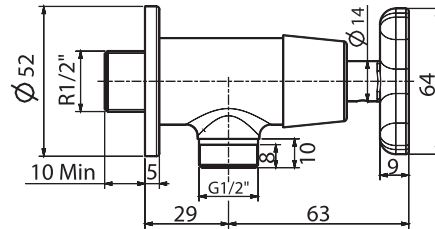
Winston
Exposed Shower Mono
(Lever Handle)

FFAST604-701500BFO



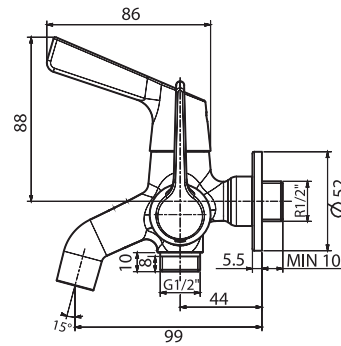
Winston
Exposed Shower Mono
(Cross Handle)

FFAST704-701500BFO



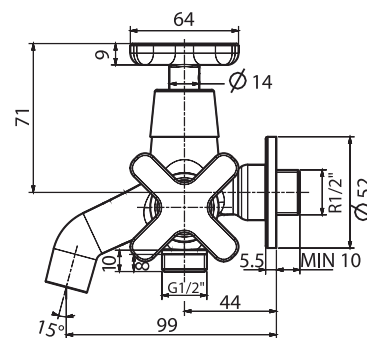
Winston
Exposed Bath & Shower Mono
(Lever Handle)

FFAST603-601500BFO



Winston
Exposed Bath & Shower Mono
(Cross Handle)

FFAST703-601500BFO

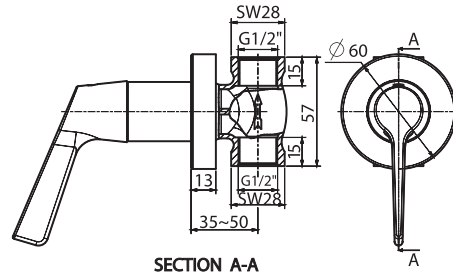


BATH & SHOWERS



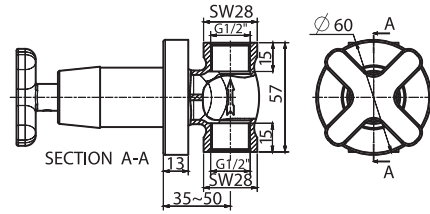
Winston
Concealed Shower Mono
(Lever Handle)

FFAST605-709500BFO



Winston
Concealed Shower Mono
(Cross Handle)

FFAST705-709500BFO





EasyFLO



BASIN MONO

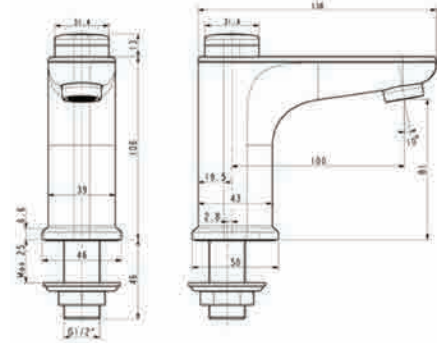


EasyFLO
Basin Faucet

FFAST823-109500BFO (Chrome)



Only for Chrome



SHOWER MONO

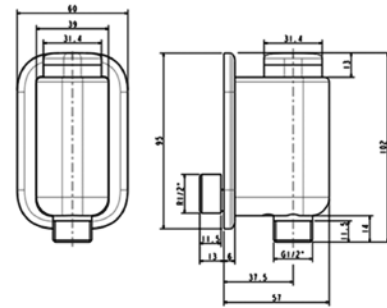


EasyFLO
Exposed Shower Mono

FFAST825-709500BFO (Chrome)



Only for Chrome

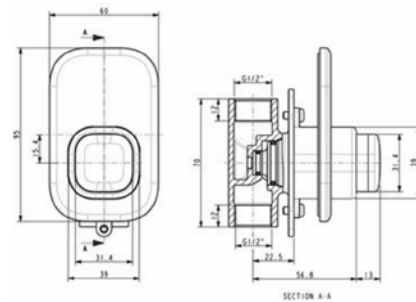


EasyFLO
Concealed Shower Mono

FFAST826-709500BFO (Chrome)



Only for Chrome



Loven

Unmatched Features,
Unbelievable Price

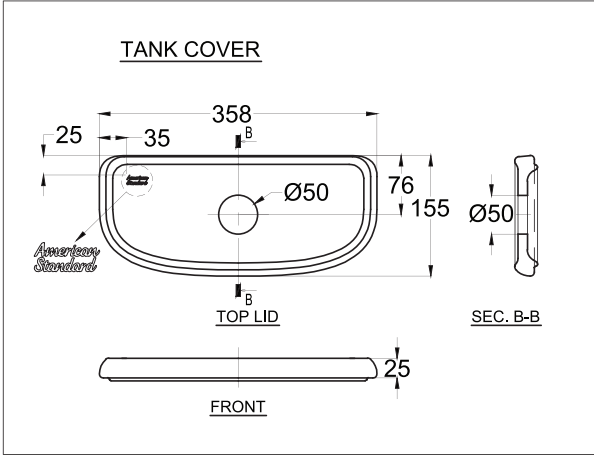
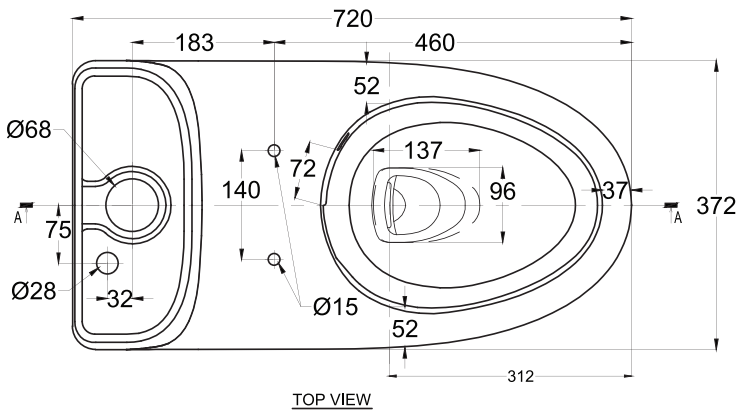
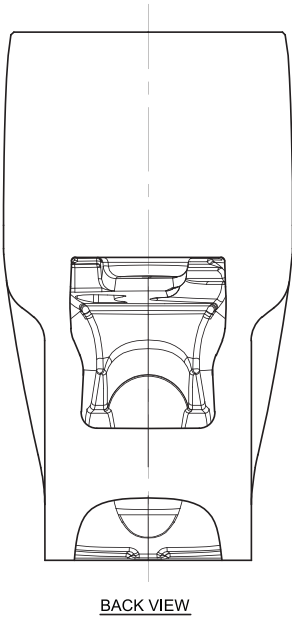
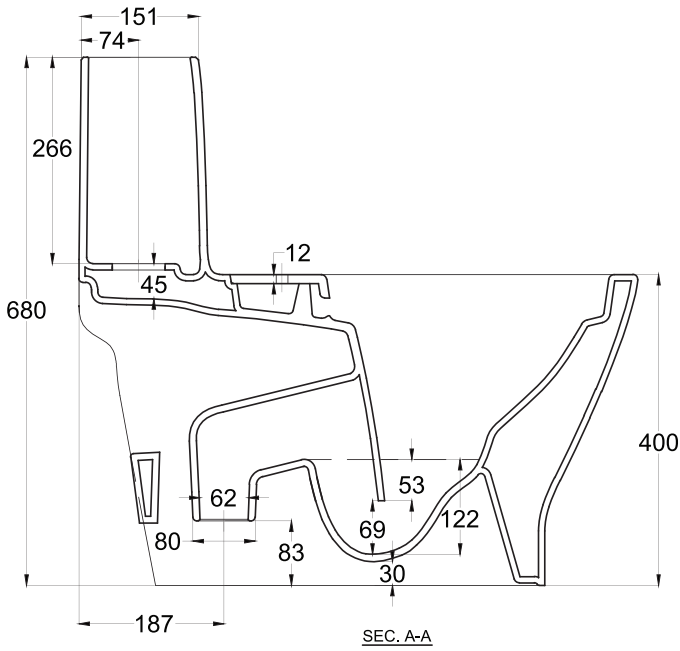


Loven
One-Piece Toilet

CCAS1862-1320411A0 (Bowl)

CCASC162-0200410F0 (Seat & Cover)





W372 x L720 x H695
Rimless with Double vortex,
soft close seat cover
220mm, S-trap

TOILETS



At American Standard, we take our toilets seriously. Each ceramic piece is purposefully designed to enhance bathroom living and hygiene - from powerful flushing performance and antibacterial glaze for added hygiene to ergonomic height and comfort curve seat for a comfortable experience. With a wide array to choose from, we are confident you will find your ideal toilet here.

KEY FEATURES AND TECHNOLOGIES

HYGIENE



SIPHONMAX

Dynamic vacuum mechanism with side water jets create a powerful swirl to evacuate both heavy and light waste.



DOUBLE VORTEX

Maximum flushing performance, minimum water usage.



AQUA CERAMIC

Super hydrophilic technology prevents dirt and dark ring stains from sticking to ceramic surface.



COMFORTCLEAN

Effectively kills E. coli bacteria according to tests done with IMSL.

COMFORT



RIGHT HEIGHT

Easy to get on and off, especially for the elderly, pregnant and disabled.



COMFORT PUSH BUTTON

A larger surface area for ease of use.



COMFORT CURVE SEAT

An ergonomic fit that comfortably contours to the body.



ARMORLID

Highly durable seat and cover with excellent resistance to scratch, impact and discoloration.

CONVENIENCE



POWER RIM

Eliminates hidden, hard-to-reach surfaces for an effective removal of dirt and stain buildup.



HYGIENE RIM

Truly rimless design that can be cleaned in one swipe.



SKIRTED DESIGN

Premium design allows for quick and easy exterior cleaning.



SLOW-CLOSE SEAT

Gentle and quiet closing action.



EASY LIFT

Unique lever design for lifting the seat cover easily.



EASY RELEASE

Easy removal for thorough cleaning.

SUSTAINABILITY



WATER-SAVING

Water-saving for ecological and economical sense.



DUAL FLUSH

Choice between a half flush and a full flush for liquids or solids while still offering superior flushing performance.

WALL-HUNG TOILETS

Compatible with:
Concealed Cisterns

Concealed Flush Valve



Concept Oblong
(Best Design Match)

Concept Pillow

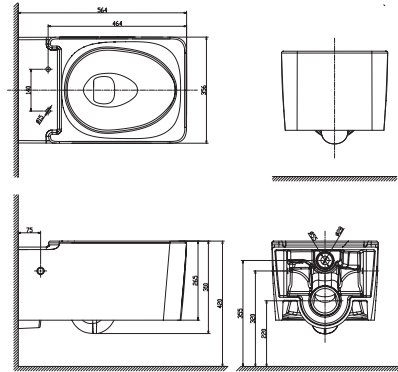
Concept Arc Dual FV



Acacia SupaSleek Square

CCAS3120-5W20410F0 (Bowl)
CCASC120-U200410F0 (Seat & Cover)

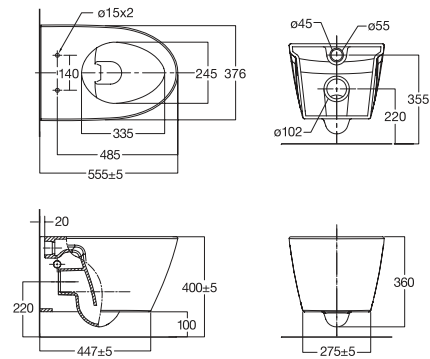
L564 x W356 x H310 mm
Double Vortex, 3/4.5L
220mm, P-Trap, Elongated bowl



Acacia SupaSleek

CL3119B-6DACTPT (Bowl)
CL6151M-6D (CrsytaSleek Seat & Cover)

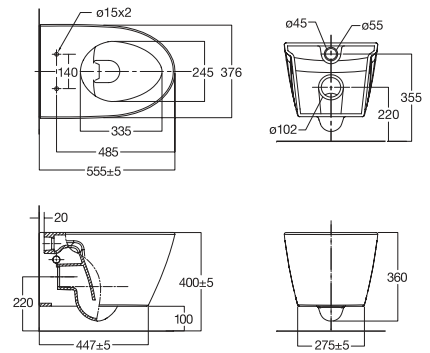
Double Vortex, 3/4.5L
220mm, P-Trap, Elongated bowl



Acacia E

CL3119B-6DACTPT (Bowl)
CL6117M-6D (Seat & Cover)

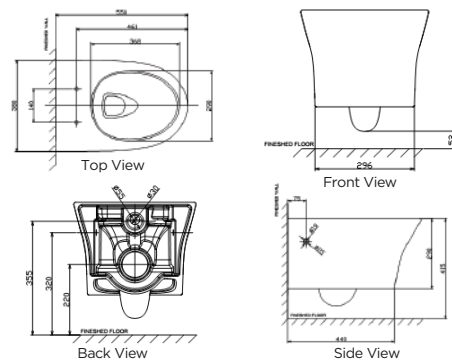
Double Vortex, 3/4.5L
220mm, P-Trap, Elongated Bowl



Signature

CCAS3140-3W20400F0 (Bowl)
CCASC119-U20U420C0 (Slim Seat & Cover)

Double Vortex, Hygiene Rim (Rimless Technology)
Washdown
220mm, P Trap, 3/4.5 liters,
Elongated bowl



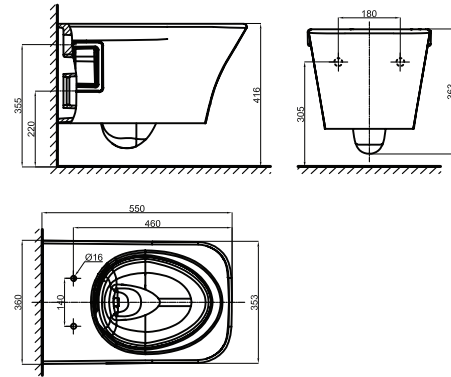
WALL-HUNG TOILETS



Kastello Sq

CCAS3131-3W20400F0 (Bowl)
CCASC131-U200U41F0
(Slim Seat & Cover)

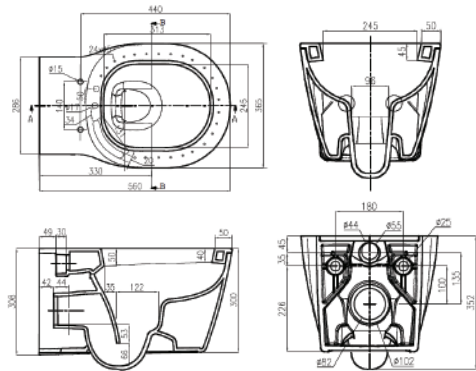
Double Vortex, Hygiene Rim
 (Rimless Technology)
 220mm, P Trap, 3/4.5 liters,
 Square bowl



Concept

CCAS3105-4W20410A0 (Bowl)
CCASC105-0200410A0
(Slow Closing Seat & Cover)

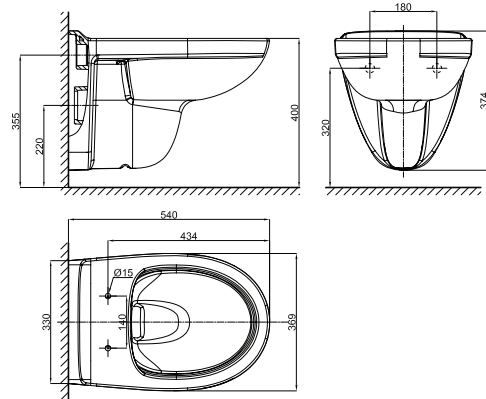
Wash Down, Comfort Clean
 220mm P-Trap, 3/4.5 Liters
 U-Shape Bowl



Compact Codie

CCAS3207-3W20410F0 (Bowl)
CCASC128-0200410A0
(Seat & Cover)

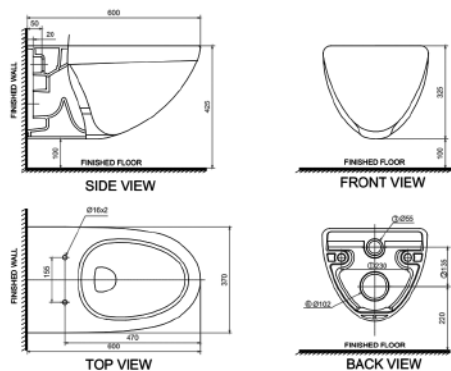
Wash Down, Hygiene Rim
 (Rimless Technology)
 220mm, P-Trap, 3/4.5 Liters,
 Elongated Bowl



Winston

CCAS3130-3W20410A0 (Bowl)
CF070001-6DF00-N
(Seat & Cover)

Wash Down, Comfort Clean
 220mm, P Trap, 3/6 liters,
 Elongated bowl



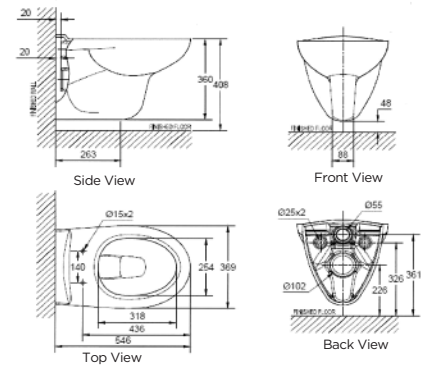
WALL-HUNG TOILETS



Cadet

CCAS3128-3W20410A0 (Bowl)
CCASC128-0200410A0
(Self Closing Seat & Cover)

Washdown,
 220mm, P-Trap, 3/6 liters,
 Round bowl



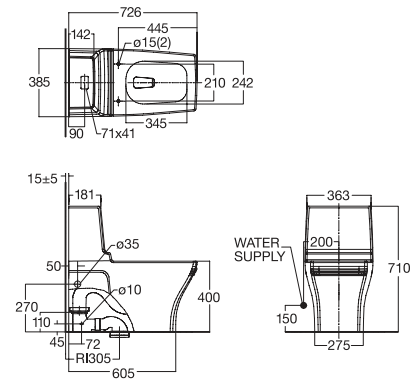
ONE-PIECE TOILETS



Neo Nobile

CCAS2060-5110410F0 (Bowl)
CCASC060-U20U410C0
(Slow Closing Seat & Cover)

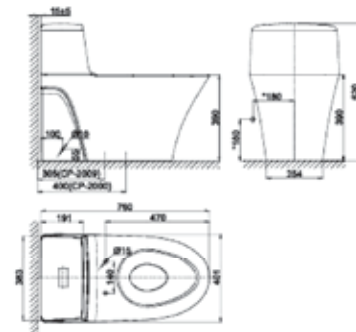
Double Siphone Jet
 305 mm, S-Tra, 4.8 Liter
 Square Bowl



La Moda

CCAS2009-1120410F0 (Bowl)
CCASC630-0200410C0
(Slow Closing Seat & Cover)

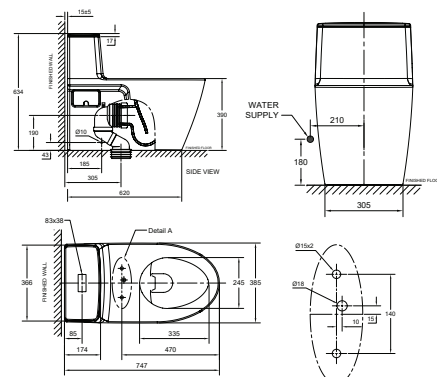
Double Vortex
 305mm, S-Trap, 3/4.8 Litres



Acacia SupaSleek

CL20075-6DACTCBT

Double Vortex
 305 mm, S-Trap. 2.6/4 Litres or
 190 mm, P-Trap 2.6/4 Litres
 with plastic connector
 Elongated Bowl



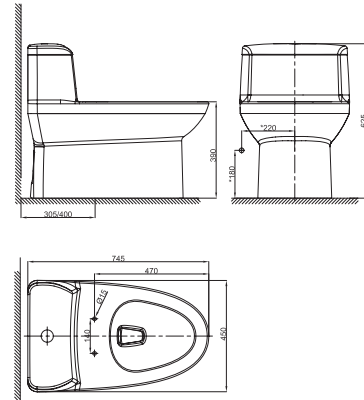
ONE-PIECE TOILETS



Milano

CCAS1860-112A410FO (Bowl)
CCASC830-0200410CO
(Slim Closing Seat & Cover)

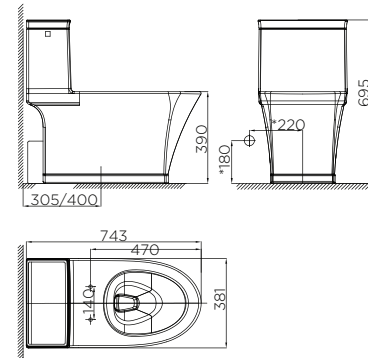
Siphonic
 305 mm, S-Trap 3/4.8 Litres
 Elongated Bowl



KASTELLO
One-Piece Toilet

CCAS2025-111A410CO

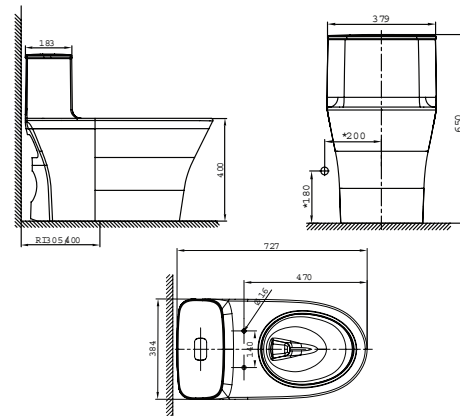
L743 W381 x H695 mm
 SiphonMax with Power Rim
 3.8 L Single Flush
 305/400 mm, S-Trap
 Elongated Bowl



Signature
One Piece Toilet

CCAS1880-111A410FO

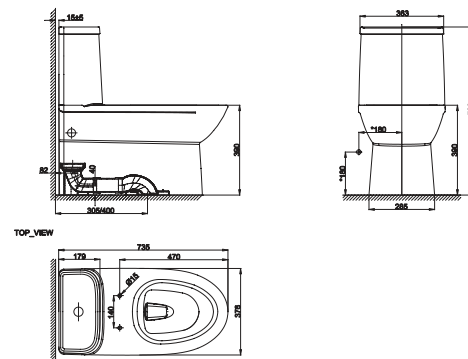
L727 x W384 x H650
 SiphonMax with Power Rim
 3.5/5 L Dual
 305mm, S-Trap
 Elongated Bowl



Neo Modern

CCAS2073-1110410FO (Bowl)
CCASC630-0200410CO
(Slow Closing Seat & Cover)

Siphon
 305 mm, S-Trap, 4.2 Litres
 Elongated Bowl



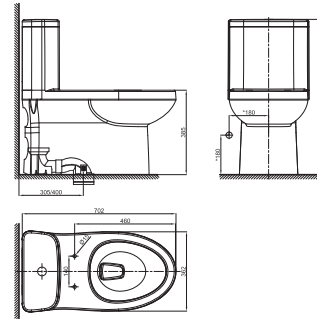
ONE-PIECE TOILETS



Yoka

CCAS2090-1120410F0 (Bowl)
CCASC791-0200410A0 (Slow Closing Seat & Cover)

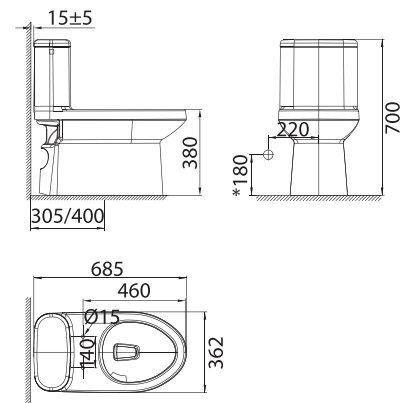
Double Siphon Jet
 305 mm, S-Trap 4/6 Litres



Cadet

CCAS1841-1120410C0 (Bowl)
CCASC791-0200410C0 (Slow Closing S&C For Cadet OP)

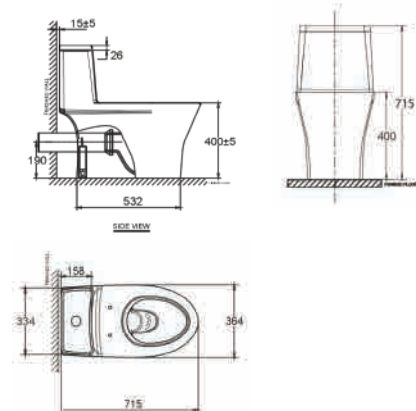
W362 X L685 X H 700 MM
 Siphonmax
 4/6 L Dual Flush 305 mm,
 S-Trap Elongated Bowl



Flexio

C2530300-1MA21 (Bowl)
CL6104M-6D (Seat & Cover)

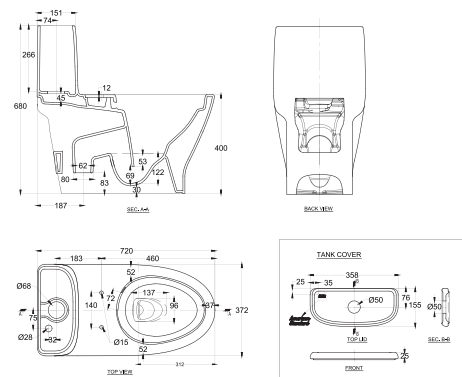
M11494,
 S-Trap: 195 mm-305 mm
 Wash Down, 305 mm, S-Trap
 190 mm, P-Trap,
 3/4.2 Litres Elongated Bowl



LOVEN One-Piece Toilet

CCAS1862-1320411A0 (Bowl)
CCASC162-0200410F0 (Seat & Cover)

W372 x L720 x H695
 Rimless with Double vortex,
 soft close seat cover
 220mm, S-trap



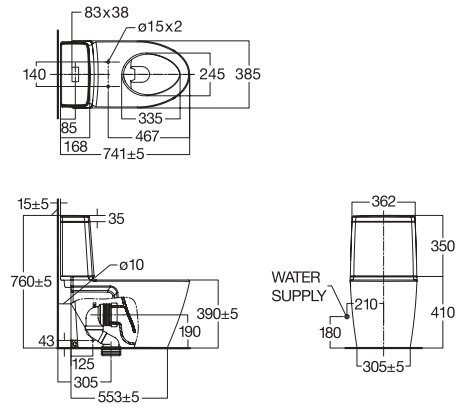
CLOSE-COUPLED TOILETS



Acacia E

**CL23075-6DACTCB
(Complete Set)**

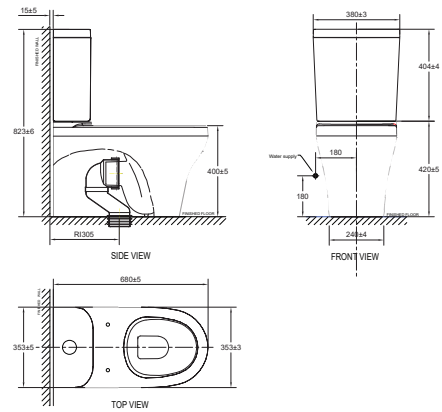
Double Vortex
S-Trap, 305 mm or P-Trap,
190 mm, 2.6/4 Litres
Elongated Bowl



Cygnet

**CL23095-6DACTCB
(Complete Set)**

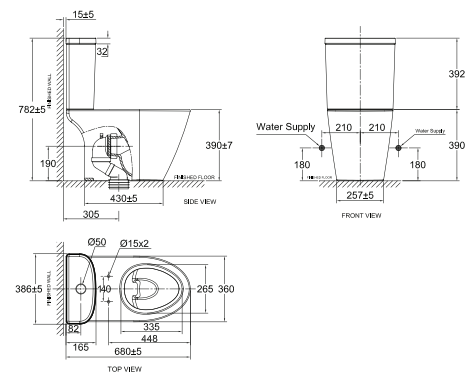
Washdown
S-Trap, 305mm, 3/4.5 Litres
Oval Bowl



Compact Codie

**CL24075-6DACTCB
(Complete Set)**

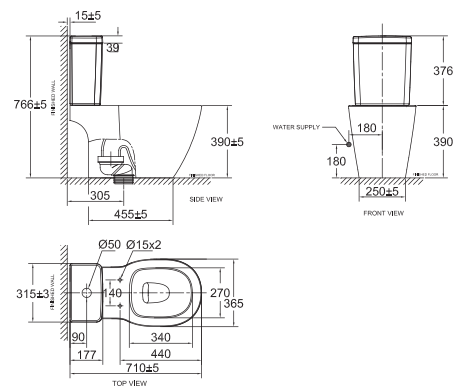
Washdown
S-Trap, 305mm, 3/4.2 Litres
Elongated Bowl



Concept Cube

**CL27045-6DACTST
(Complete Set)**

Washdown
305 mm, S-Trap, 3/4.5 Litres
Round Bowl



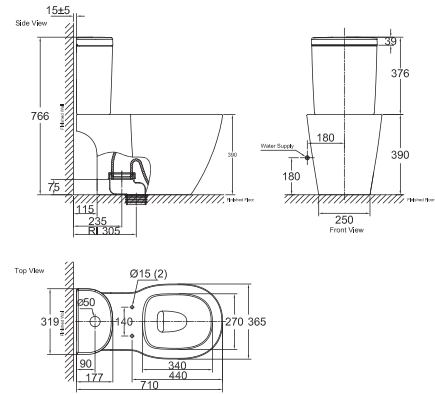
CLOSE-COUPLED TOILETS



Concept D

CL27055-6DACTST
(Complete Set)

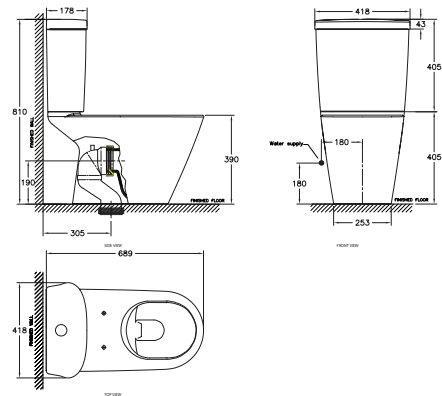
Washdown
305 mm, S-Trap, 3/4.5 Litres
Round Bowl



Tonic

CL21030-6DACTST
(Complete Set)

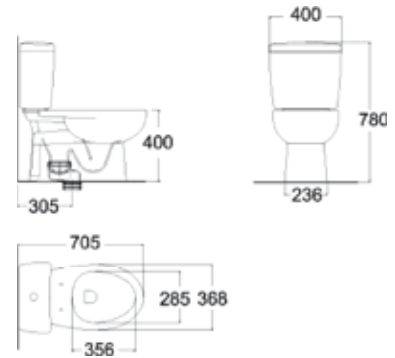
Washdown
S-Trap, 305mm or P-Trap,
190mm 3/4.5 Litres, Oval Bowl



New Sibia

CL27935-6DAWDPT

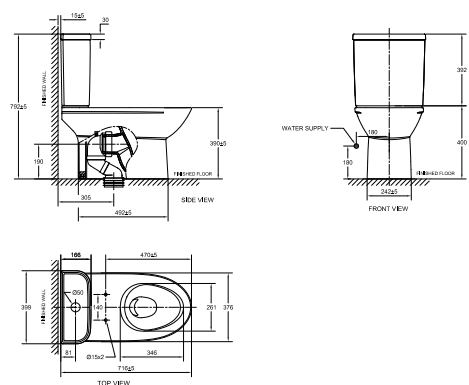
Wash Down
S-Trap, 305mm, 3/4.5 Litres
Oval Bowl



Neo Modern

CL26305-6DACTST

Wash Down
S-Trap, 305mm or
P Trap, 190mm 3/4.2 Litres,
Oval Bowl



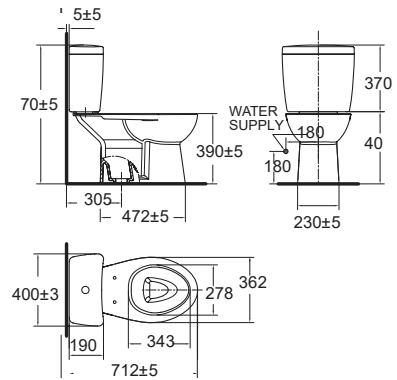
CLOSE-COUPLED TOILETS



Halo

**CL28930-6DAWDST
(Complete Set)**

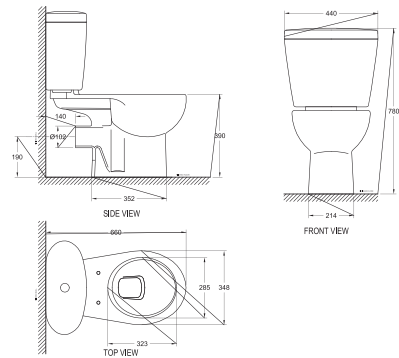
Washdown
305 mm, S-Trap, 3/4.5 Litres
Elongated Bowl



Becca

CL25915-6DAWDPT

Washdown
S-Trap, 305mm or P Trap, 190mm
3/6 Litres, Elongated Bowl

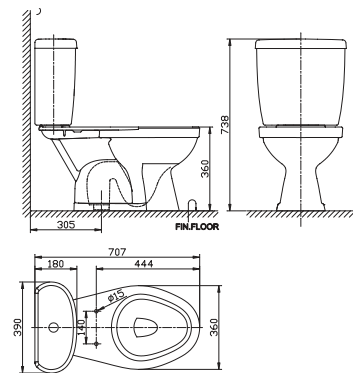


Winston

**CCAS4797-0120410A0 (Tank)
CCAS3396-1120410A0 (Bowl)
CRTS480S-1M (Seat & Cover)**

Wash Down
S-Trap, 305mm, 3/4.5 Litres
Elongated Bowl

CC1-CN511P9000A505 (Rubber gasket
to be order Separately)




SPALET





There's a spalet for everyone. Leveraging on INAX – which is part of LIXIL – expertise in innovating shower toilets since 1967, the American Standard spalet collection features beautifully crafted shower toilets and electronic bidet seats that are enhanced with pampering spa- like functions to deliver everyday comfort and enhanced personal hygiene right in your own home.


KEY FEATURES AND TECHNOLOGIES- SHOWER TOILETS


HYGIENE


 **DUAL NOZZLES**
Equipped with dedicated front and rear cleansing nozzles.


 **POSTERIOR CLEANSING**
Offers a strong, direct spray for a thorough cleanse.


 **FEMININE AIR BUBBLE SOFT CLEANSING**
A gentle flow of warm aerated water provides a soothing shower that is gentle enough for a woman's delicate areas.


 **DEODORIZER**
The deodorizer is activated as soon as the user is seated.

 **ANTI-BACTERIAL PROTECTION**
Uses anti-bacterial resin on seat, cover, nozzle and remote control. Certified to SIAA ISO 22196 standard for anti-bacterial efficacy (seat only).

 **SIPHONMAX**
A dynamic vacuum mechanism with side water jets for a powerful swirl, and a lower jet to remove heavy and light waste completely.

 **SELF-CLEANING NOZZLES**
Nozzle tips are rinsed with water before and after every use.


 **NOZZLE SHUTTER**
A nozzle shutter prevents waste materials from getting to the nozzle tips, thus ensuring better hygiene.


 **AUTO DRAIN SYSTEM**
Unused water in boiler is automatically replaced after 72 hours to prevent bacterial growth.

COMFORT


 **INSTANT HEATING SYSTEM**
Instant heating system offers instant and constant warm water for comfort.

 **HEATED SEAT**
Temperature can be easily adjusted for comfort.


 **MASSAGE**
The spray alternates between strong and mild sprays, creating a massaging effect that indulges the user.


 **DRYER**
Temperature can be easily adjusted for comfort. Computer-memorized settings allow one to keep the same settings as the previous user's.


ENERGY & WATER SAVING


 **ONE-TOUCH POWER SAVER**
Under the power saving mode, water heating and seat heating functions will stop, while cleansing and flushing will still operate. Machine will resume to original settings after 8 hours.


CONVENIENCE


 **QUICK-DETACH SEAT COVER**
The design of the seat cover allows it to be easily detached for convenient cleaning of hard-to-reach areas.


 **AUTO SEAT & COVER**
A sensor detects your presence, and automatically opens (and closes) the lid.

 **AUTO FLUSH**
Identifies the type of flush based on the time spent on the shower toilet.

 **SLOW-CLOSING SEAT & COVER**
Gentle and quiet closing action.

 **REMOTE CONTROL**
All bidet functions can be easily operated via a handy remote control.

 **WATER-SAVING**
Water-saving for ecological and economical sense.

 **CIRCUIT BREAKER**
Power supply will automatically be cut off under unusual situations, helping to conserve energy.

Acacia E Shower Toilet





Acacia E Shower Toilet



Inspired by form and simplicity, Acacia Evolution's integrated toilet is elegantly sculptured. This deluxe one-piece tankless toilet is designed with a combination of ergonomic principles and glamorous form. With curves that perfectly contour your body, technologically equipped and revolutionary enhancements, provide the ultimate comfort and hygiene.

KEY FEATURES AND FUNCTIONS



HYGIENE

- 
DUAL NOZZLES
 Equipped with dedicated front and rear cleansing nozzles.
- 
POSTERIOR CLEANSING
 Offers a strong, direct spray for a thorough cleanse.
- 
FEMININE AIR BUBBLE SOFT CLEANSING
 A gentle flow of warm aerated water provides a soothing shower that is gentle enough for a woman's delicate areas.
- 
DEODORIZER
 The deodorizer is activated as soon as the user is seated.
- 
ANTI-BACTERIAL PROTECTION
 Uses anti-bacterial resin on seat, cover, nozzle and remote control. Certified to SIAA ISO 22196 standard for anti-bacterial efficacy (seat only).
- 
SELF-CLEANING NOZZLES
 Nozzle tips are rinsed with water before and after every use.
- 
NOZZLE SHUTTER
 A nozzle shutter prevents waste materials from getting to the nozzle tips, thus ensuring better hygiene.
- 
SIPHON JET
 Cleans the bowl thoroughly with a powerful siphon flushing system.






COMFORT

- 
INSTANT HEATING SYSTEM
 Instant heating system offers instant and constant warm water for comfort.
- 
HEATED SEAT
 Temperature can be easily adjusted for comfort.
- 
MASSAGE
 The spray alternates between strong and mild sprays, creating a massaging effect that indulges the user.
- 
DRYER
 Temperature can be easily adjusted for comfort. Computer-memorized settings allow one to keep the same settings as the previous user's.

ENERGY & WATER SAVING

- 
ONE-TOUCH POWER SAVER
 Under the power saving mode, water heating and seat heating functions will stop, while cleansing and flushing will still operate. Machine will resume to original settings after 8 hours.
- 
WATER SAVING
 Water-saving for ecological and economical sense.

CONVENIENCE

- 
QUICK-DETACH SEAT COVER
 The design of the seat cover allows it to be easily detached for convenient cleaning of hard-to-reach areas.
- 
AUTO SEAT & COVER
 A sensor detects your presence, and automatically opens (and closes) the lid.
- 
AUTO FLUSH
 Identifies the type of flush based on the time spent on the shower toilet.
- 
SLOW-CLOSING SEAT & COVER
 Gentle and quiet closing action.
- 
REMOTE CONTROL
 All bidet functions can be easily operated via a handy remote control.

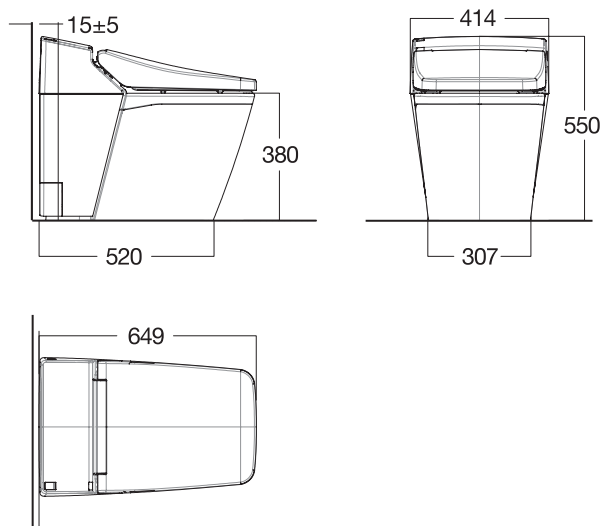


		Acacia Evolution Shower Toilet Auto Seat & Cover
Product Code		CEAS5006-0000424C0
Flushing System		Siphon Jet
Flush Volume		3.5/ 5L
Dimensions (W x L x H)		415 x 649 x 550mm
Rough In		305/400mm, S-Trap
Hygienic Cleansing		
Warm Water Supply System		Instant Heating
Nozzle		Dual Nozzles
Nozzle Position Adjustment		5 Levels
Posterior Cleansing		•
Narrow Cleansing (Posterior)		•
Oscillating		•
Feminine Air Bubble Soft Cleansing		•
Super Wide Cleansing (Feminine)		•
Massage		•
Comfort		
Heated Seat (Adjustable Temperature)		5 Levels
Anti-Bacterial Protection	Seat (SIAA Standard)	•
	Cover	•
	Nozzle	•
	Remote Control	•
Seat Sensor		•
Auto Seat & Cover		•
Soft-Closing Seat & Cover		•
Auto Flush		•
Dryer (Adjustable Temperature)		3 Levels
Deodorizer		•
Easy To Clean		
Nozzle Shutter		•
Self-Cleaning Nozzle		•
Quick-Detach Seat Cover		•
Power Saving		
One-Touch Power Saver (8Hr)		•
Design		
Remote Control		•



- A** FEMININE AIR BUBBLE SOFT CLEANSING
Available in wide and super wide cleansing modes.
- B** POSTERIOR CLEANSING
Available in narrow and wide cleansing modes.
- C** AUTO FLUSH
Activates either partial or full flush, based on time spent on the shower toilet.
- D** ADJUSTABLE SEAT AND WATER TEMPERATURE
available in wide and upper wide cleansing modes.
- E** ONE-TOUCH POWER SAVER
Seat and water heating functions will stop, while cleansing and flushing will still operate (8hr).
- F** NOZZLE CLEANING
Activates nozzle rinsing action.

TECHNICAL DRAWING



Aerozen Shower Toilet





Aerozen Shower Toilet

The Aerozen, with its dynamic look and low tank design, pairs with advanced automated cleansing functions to elevate sanitary hygiene for you and your family.

KEY FEATURES AND FUNCTIONS

HYGIENE



DUAL NOZZLES

Equipped with dedicated front and rear cleansing nozzles.



POSTERIOR CLEANSING

Offers a strong, direct spray for a thorough cleanse.



FEMININE AIR BUBBLE SOFT CLEANSING

A gentle flow of warm aerated water provides a soothing shower that is gentle enough for a woman's delicate areas.



ANTI-BACTERIAL PROTECTION

Uses anti-bacterial resin on seat, cover, nozzle and remote control. Certified to SIAA ISO 22196 standard for anti-bacterial efficacy (seat only).



SELF-CLEANING NOZZLES

Nozzle tips are rinsed with water before and after every use.



NOZZLE SHUTTER

A nozzle shutter prevents waste materials from getting to the nozzle tips, thus ensuring better hygiene.



SIPHON JET

Cleans the bowl thoroughly with a powerful siphon flushing system.

COMFORT



HEATED SEAT

Temperature can be easily adjusted for comfort.



MASSAGE

The spray alternates between strong and mild sprays, creating a massaging effect that indulges the user.



DRYER

Temperature can be easily adjusted for comfort. Computer-memorized settings allow one to keep the same settings as the previous user's.

ENERGY & WATER SAVING



ONE-TOUCH POWER SAVER

Under the power saving mode, water heating and seat heating functions will stop, while cleansing and flushing will still operate. Machine will resume to original settings after 8 hours.



CIRCUIT BREAKER

Power supply will automatically be cut off under unusual situations, helping to conserve energy.

CONVENIENCE



QUICK-DETACH SEAT COVER

The design of the seat cover allows it to be easily detached for convenient cleaning of hard-to-reach areas.



AUTO FLUSH

Identifies the type of flush based on the time spent on the shower toilet.



SLOW-CLOSING SEAT & COVER

Gentle and quiet closing action.

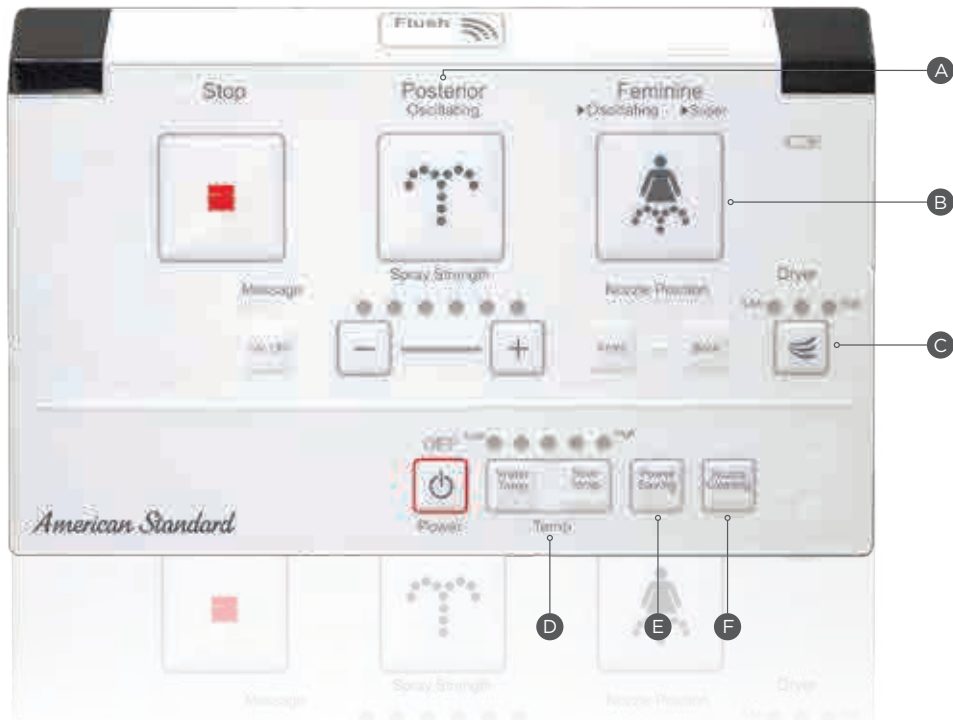


REMOTE CONTROL

All bidet functions can be easily operated via a handy remote control.

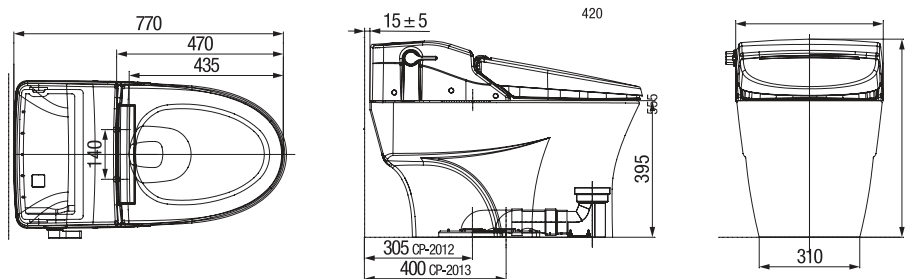


		Aerozen Shower Toilet
Product Code		CEAS5312-1000402CO
Flushing System		Siphon Jet
Flush Volume		6L
Dimensions (W x L x H)		420 x 770 x 555mm
Rough In		305/400mm, S-Trap
Hygienic Cleansing		
Warm Water Supply System		Hot Water Storage
Nozzle		Dual Nozzles
Nozzle Position Adjustment		5 Levels
Posterior Cleansing		•
Oscillating		•
Feminine Air Bubble Soft Cleansing		•
Super Wide Cleansing (Feminine)		•
Massage		•
Comfort		
Heated Seat (Adjustable Temperature)		5 Levels
Anti-Bacterial Protection	Seat (SIAA Standard)	•
	Cover	•
	Nozzle	•
	Remote Control	•
Seat Sensor		•
Soft-Closing Seat & Cover		•
Auto Flush		•
Dryer (Adjustable Temperature)		3 Levels
Easy To Clean		
Nozzle Shutter		•
Self-Cleaning Nozzle		•
Quick-Detach Seat Cover		•
Power Saving		
One-Touch Power Saver (8Hr)		•
Manual Flush (Power Failure Mode)		•
Design		
Remote Control		•



- A** POSTERIOR CLEANSING
Available in oscillating cleansing mode.
- B** FEMININE AIR BUBBLE SOFT CLEANSING
Available in wide and super wide cleansing modes.
- C** ADJUSTABLE DRYER TEMPERATURE
With 3 levels.
- D** ADJUSTABLE SEAT AND WATER TEMPERATURE
With 5 levels.
- E** ONE-TOUCH POWER SAVER
Seat and water heating functions will stop, while cleansing and flushing will still operate (8hr).
- F** NOZZLE CLEANING
Activates nozzle rinsing action.

TECHNICAL DRAWING





HYGIENE

DUAL NOZZLES

Equipped with dedicated front and rear cleansing nozzles.

POSTERIOR CLEANSING

Offers a strong, direct spray for a thorough cleanse.

FEMININE AIR BUBBLE SOFT CLEANSING

A gentle flow of warm aerated water provides a soothing shower that is gentle enough for a woman's delicate areas.

DEODORIZER

The deodorizer is activated as soon as the user is seated.

ANTI-BACTERIAL PROTECTION

Uses anti-bacterial resin on seat, cover, nozzle and remote control. Certified to SIAA ISO 22196 standard for anti-bacterial efficacy (seat only).

SELF-CLEANING NOZZLES

Nozzle tips are rinsed with water before and after every use.

NOZZLE SHUTTER

A nozzle shutter prevents waste materials from getting to the nozzle tips, thus ensuring better hygiene.

COMFORT

HEATED SEAT

Temperature can be easily adjusted for comfort.

MESSAGE

The spray alternates between strong and mild sprays, creating a massaging effect that indulges the user.

DRYER

Temperature can be easily adjusted for comfort. Computer-memorized settings allow one to keep the same settings as the previous user's.

CONVENIENCE

QUICK-DETACH SEAT COVER

The design of the seat cover allows it to be easily detached for convenient cleaning of hard-to-reach areas.

SLOW-CLOSING SEAT & COVER

Gentle and quiet closing action.

ENERGY & WATER SAVING

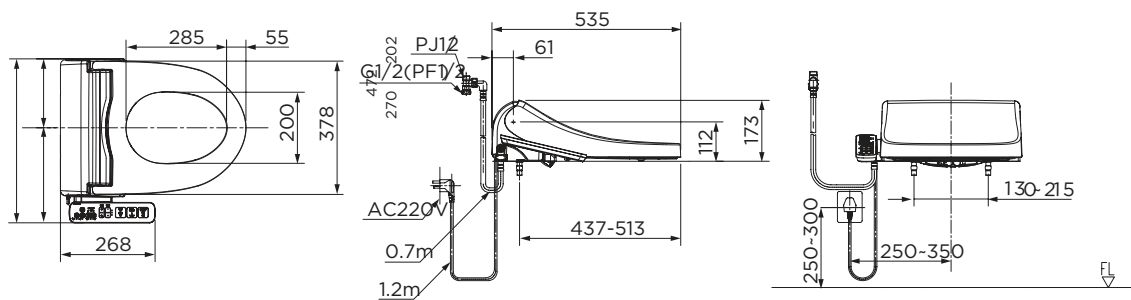
ONE-TOUCH POWER SAVER

Under the power saving mode, water heating and seat heating functions will stop, while cleansing and flushing will still operate. Machine will resume to original settings after 8 hours.

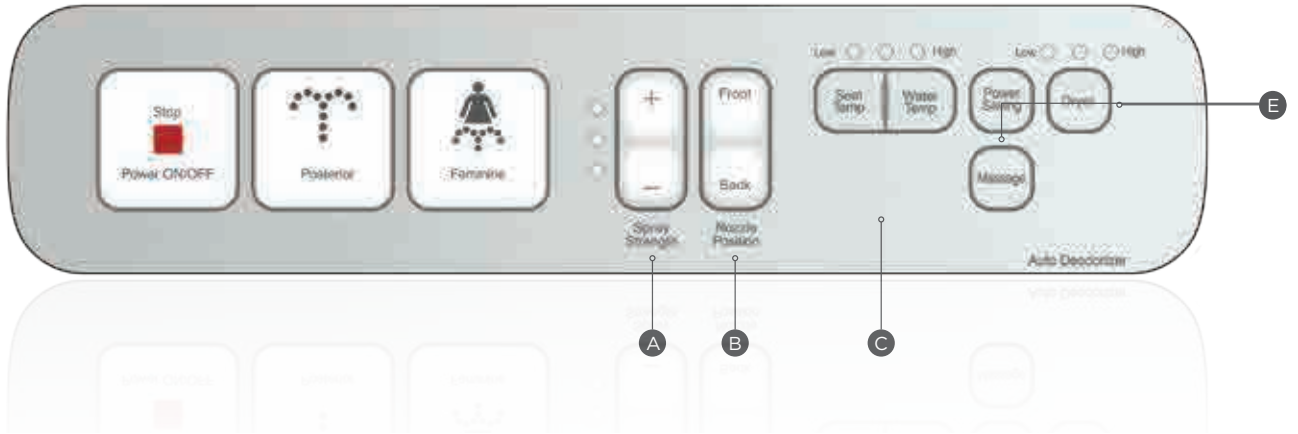


	Pristine E-bidet Full Function	Pristine E-bidet w/o Deodorizer
Product Code	CEAS7SL1-0100510A0	CEAS7SL2-0000510A0
Dimensions (W x L x H)	472 x 535 x 173mm	472 x 535 x 173mm
Hygienic Cleansing		
Nozzle	Dual Nozzles	Dual Nozzles
Warm Water Supply System	Hot Water Storage	Hot Water Storage
Posterior Cleansing	•	•
Feminine Cleansing	•	•
Feminine Air Bubble Soft Cleansing	•	•
Oscillating	•	•
Massage	•	•
One-Touch Cleansing	•	•
Water Pressure Adjustment	3 - 5 Levels	3 - 5 Levels
Nozzle Position Adjustment	5 Levels	5 Levels
Comfort		
Dryer (Adjustable Temperature)	3 Levels	3 Levels
Auto Deodorizer	•	-
Heated Seat (Adjustable Temperature)	3 Levels (with Auto-Off)	3 Levels (with Auto-Off)
Seat Sensor	•	•
Anti-Bacterial Protection	Seat (SIAA Standard)	•
	Cover	•
	Nozzle	•
	Remote/ Panel (Surface Only)	•
	Soft Closing Seat & Cover	•
Easy To Clean		
Type of Nozzle	PP Nozzle	PP Nozzle
Self-Cleaning Nozzle	•	•
Nozzle Shutter	•	•
Quick-Detach Se	•	•
Power Saving		
One-Touch Power Saver (8Hr)	•	•

TECHNICAL DRAWING



SIAA ISO 22196 for KOH-KIN Anti-bacterial protection is certified to SIAA ISO 22196 standard.



- A** ADJUSTABLE SPRAY STRENGTH
Factory default is set at 3 levels, but user can set it up to 5 levels.
- B** ADJUSTABLE NOZZLE POSITION
With 5 levels.
- C** ADJUSTABLE SEAT AND WATER TEMPERATURE
With 3 levels.
- D** ONE-TOUCH POWER SAVER
Seat and water heating functions will stop, while cleansing and flushing will still operate (8hr).
- E** ADJUSTABLE DRYER TEMPERATURE
With 3 levels.

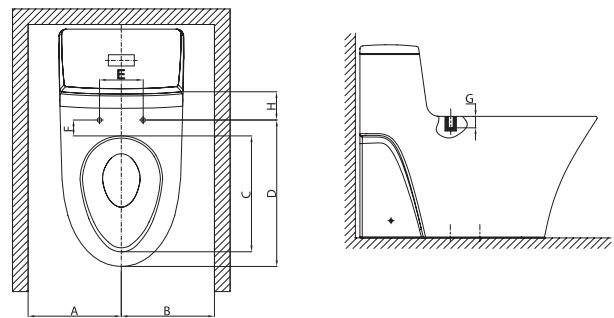
BEST MATCH CHART

PRE-SELECTED AMERICAN STANDARD TOILETS FOR A 100% FIT AND COMPATIBILITY

Collection	Type	Pristine E-bidet
Acacia Evolution	One-Piece	✓✓✓
Milano	One-Piece	✓✓✓
Neo Modern	One-Piece	✓✓✓
Cadet	One-Piece	✓✓
New Codie II	One-Piece	✓✓✓
Activa	One-Piece	✓✓✓
Active	One-Piece	✓✓✓
IDS Natural	One-Piece	✓✓✓
La Moda	One-Piece	✓✓✓
Luxus	One-Piece	✓✓✓
Yoka	One-Piece	✓✓✓
Concept Nuovo (Cube)	Close-Coupled	✓✓✓
Concept Nuovo (D Shape)	Close-Coupled	✓✓✓
Neo Modern	Close-Coupled	✓✓✓
Cygnet	Close-Coupled	✓
Winston	Close-Coupled	✓✓
Acacia E	Wall-Hung	✓✓✓

RIGHT FIT CHART

GUIDE TO FINDING THE RIGHT E-BIDET TO FIT YOUR AMERICAN STANDARD (OR OTHER BRANDED) TOILET



	Pristine E-bidet
Between mounting holes and front of bowl (D)	$437\text{mm} \leq D \leq 500\text{mm}$
Between mounting holes (E)	$130\text{mm} \leq E \leq 215\text{mm}$
Between tank and mounting holes (H)	$H \geq 25\text{mm}$
Between centre of rim and outside of bowl (A & B)	$A \geq 270\text{mm} \quad B \geq 195\text{mm}$
Between front and back of rim (C)	$334\text{mm} \leq C \leq 396\text{mm}$
Between mounting holes and back rim (F)	$F < 110\text{mm}$
Depth of mounting holes (G)	$G \geq 50\text{mm}$ (blind hole)

Chart Legend: ✓✓✓ Best Match ✓✓ Good Match ✓ Basic Match

Manual Bidet



Brand new Axisse Smart Washer from the house of American Standard is a toilet seat cover with a difference. With this smart product, you don't need to use your hands for cleansing making it hygienic not only for adults but especially for children. Moreover, it also has a separate nozzle for bidet function which makes it an ideal choice of any home-maker.

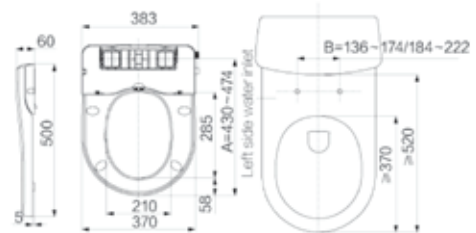
TECHNICAL DRAWING



AXISSE SMART WASHER
CFB10400-FAST3

BEST MATCH

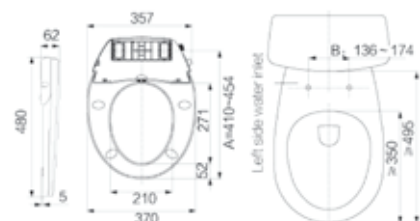
Concept
Wall-Hung Toilets



Wall-Hung Toilets
CEBFB108

BEST MATCH

Cadet & Compact Codie
Wall-Hung Toilets



FEATURES



ELECTRICITY FREE

No need of electricity. It's safe to use and reliable.



DUAL CLEANSING

It has dual modes: posterior and feminine, to meet different cleansing needs. It's tissue-free & hygienic.



ONE BUTTON

It has single button which makes it easily operational. User-friendly especially for children and adults.



QUICK DETACHABLE

Simply press side buttons to detach. This makes it extremely convenient for cleaning and maintaining.



SELF CLEANING

Auto flow of water makes it convenient to clean water jets after and before usage. Prevents dirt from sticking, leaving it clean and hygienic.



SUPER SLIM DESIGN

60 mm super-slim design well integrated as normal toilet sea cover.

WASH BASINS



Glam up your bathroom aesthetics with a thin-edge vessel basin or opt for a space-saving corner wall hung washbasin for an intimate size bathroom. Crafted with the perfect silhouette and manufactured for durability, take your pick from a comprehensive range of washbasins that will suit every individual style and budget.

KEY FEATURES AND TECHNOLOGIES

TECHNOLOGY



THINEDGE TECHNOLOGY

Made with our latest technology for a sleek silhouette.

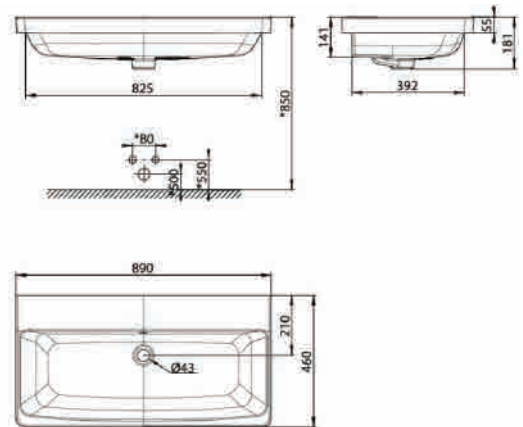
Countertop Lavatories



Facility

CCASF521-1000410F0
Without Hole
CCASF521-1010410F0
With Single Hole

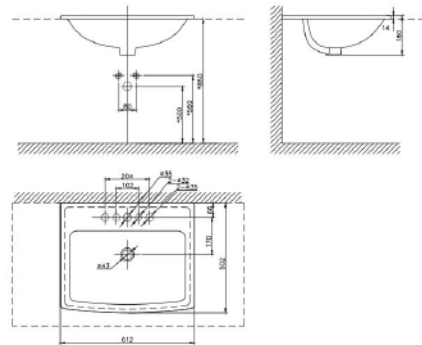
W890 X L460 X H180 mm



Neo Nobile

CCASF507-1010410F0

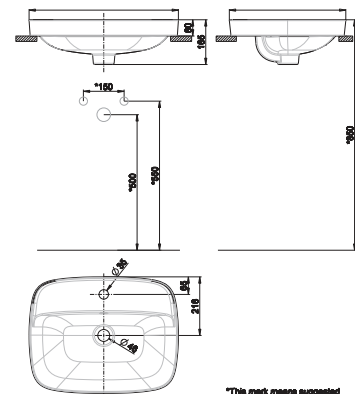
W502 x L612 X H180 mm



Signature 550 mm

CCAS0420-1010410F0

L551 x W429 x H165 mm



**This mark means suggested*

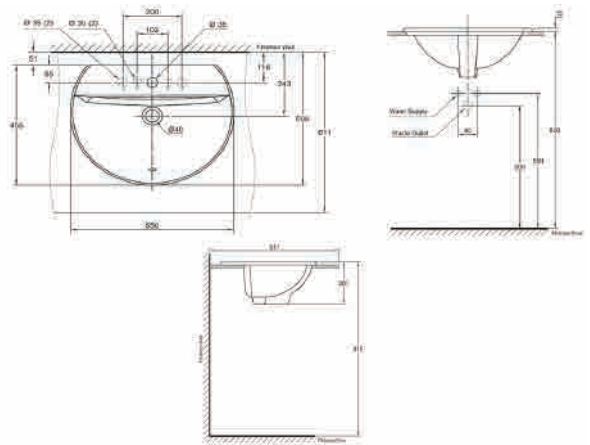
Countertop Lavatories



Concept Sphere

CL04521-6DAWDLT

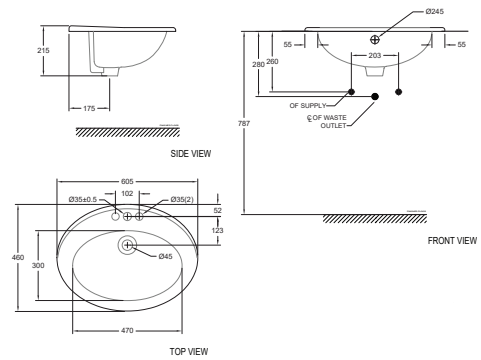
L550 x W455 x H200 mm



Ceros

CL04771-6DAWDLU

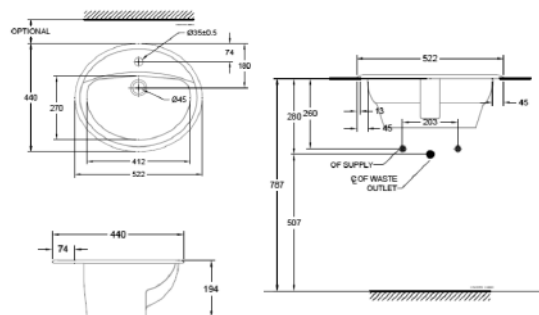
W460 X L605 X H215 mm



Aqualyn

CL04761-6DACTLT

W440 X L522 X H194 mm



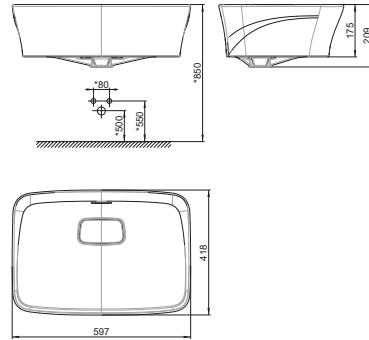
Above Counter/ Vessel



Luxus 600 mm

CCAS0428-1000410F0

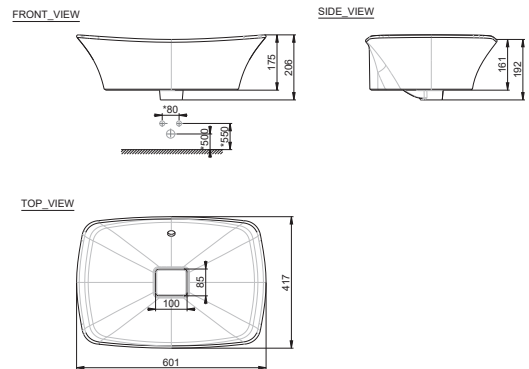
W418 X L597 X H209 mm



La Moda

CCASF602-1000410F0

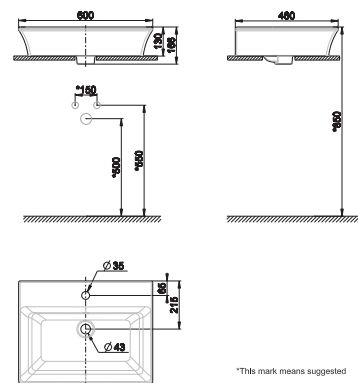
W470 X L600 X H175 mm



Kastello 600 mm

CCASF525-1010410F0
(Single Hole)
CCASF525-1080410F0
(3 Holes)

L600 x W460 x H172 mm



*This mark means suggested

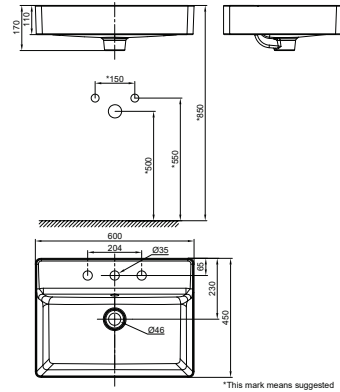
Above Counter/ Vessel



Acacia
Supa Sleek

CCASF420-1010411F0mm

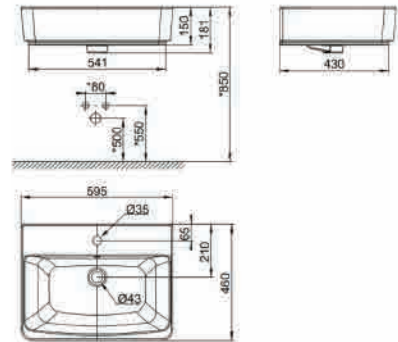
L600 X W450 X H175.5 mm
thin edge



Acacia
Neo 600mm

CCAS0620-1010411A0

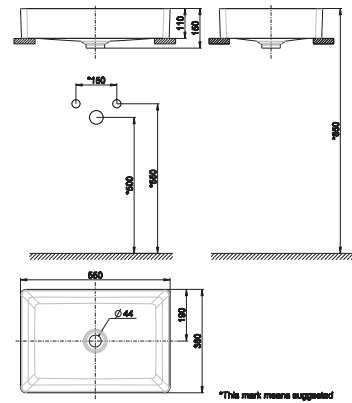
W460 X L595 X H185 mm



Acacia
Supa Sleek 550 mm

CCASF412-1000410F0

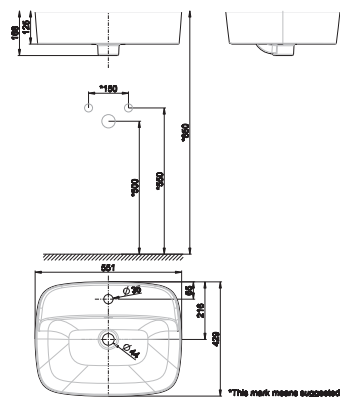
L550 X W380 X H110 mm,
5 mm thin edge



Singature 550 mm

**CCASF0618-1010410F0
CCAS0618-108041F0
(8" Holes)**

L551 x W429 x H125 mm



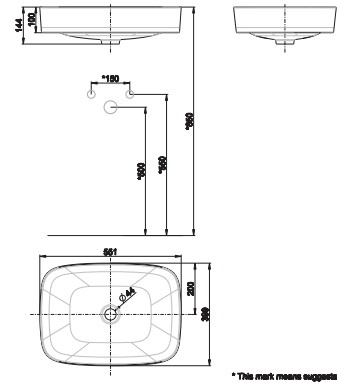
Above Counter/ Vessel



Signature 550 mm

CCAS0628-0000410FO

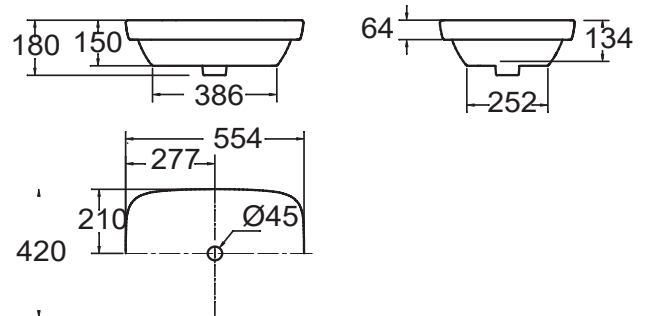
W399 x L551 x H100 mm



Cygnets
Vessel 550 mm

CCASF646-0000410FO

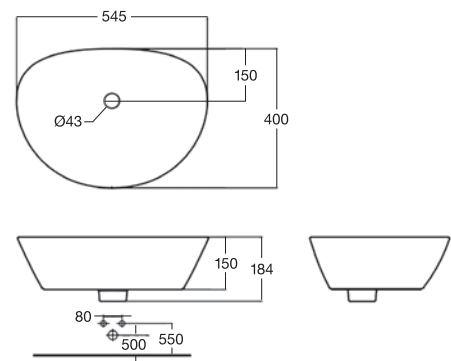
W420 X L554 X H180 mm



Neo Modern

CCASF633-0000410FO

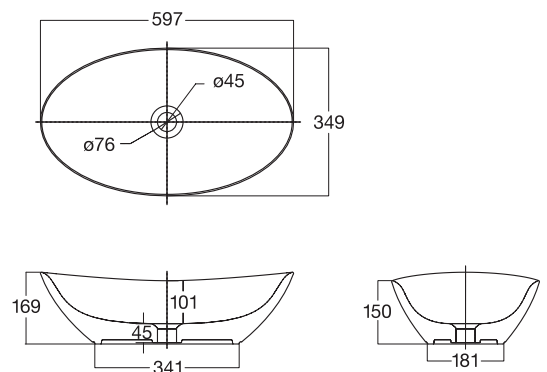
W400 x L545 x H184mm



Ova Oval

CCASF608-0000410FO

W350 x L600 x H150mm



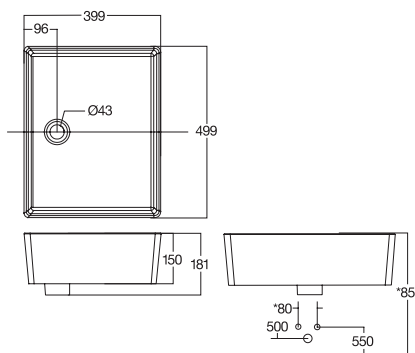
Above Counter/ Vessel



Thin Touch

CCASF611-0000410F0

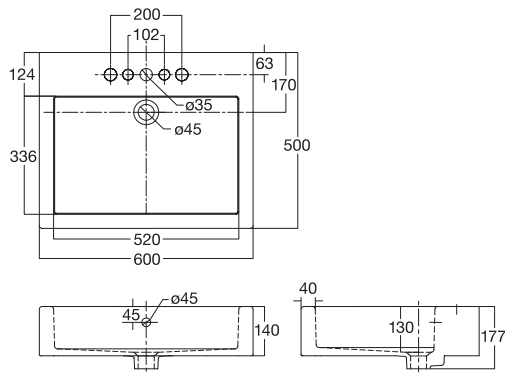
W400 x L500 x H181mm
(with 145mm inside depth)



Miza
Vessel 60 mm

CCASF446-1010410F0

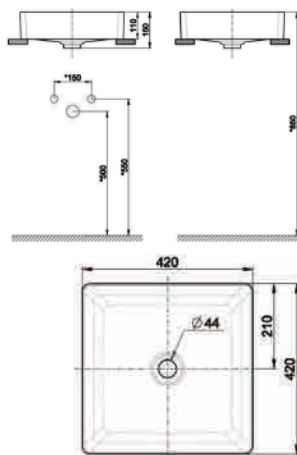
W500 x L600 x H177mm



Acacia Supa Sleek Basin
Vessel 420 mm

CCASF411-1000410F0

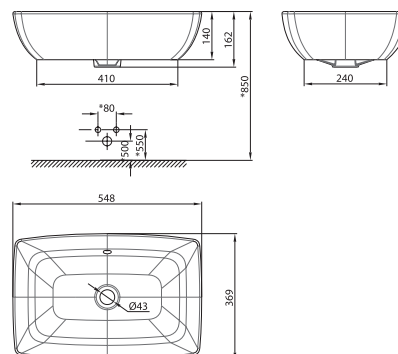
W420xL420xH150mm



Milano

CCASF650-1000410F0

W369 x L548 x H162mm



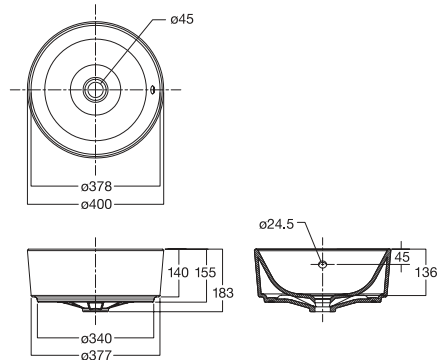
Above Counter/ Vessel



Acacia E

CL05091-6DACTLA

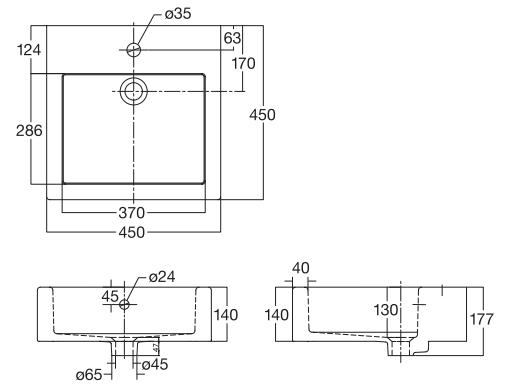
W400 x L400 x H181 mm



Mizu Vessel 45 cm

CCASF445-1010410FO

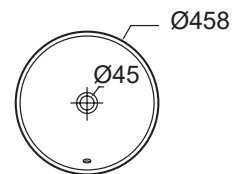
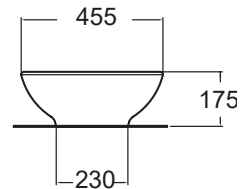
W450 x L450 x H177 mm



Vallo

CL05001-6DACLA

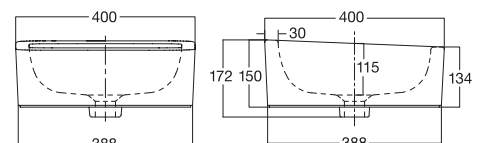
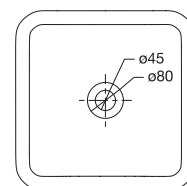
W458 x H175 mm



White

CCASF606-0000410FO

W400 x L400 x H170 mm



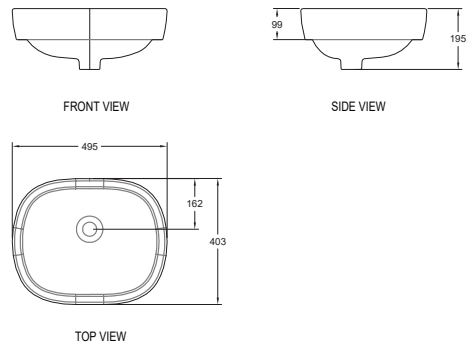
Above Counter/ Vessel



Active

CL0950I-6DACTLA

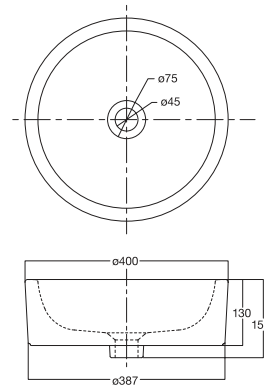
W403 x L495x H195 mm



White

CCASF605-0000410FO

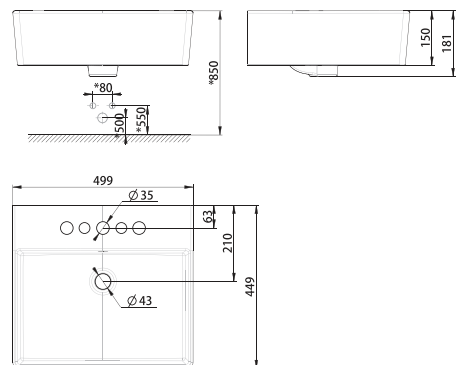
W400 x L400 x H154 mm



Flexio
500 mm-W/Taphole

CL06131I-1MA00

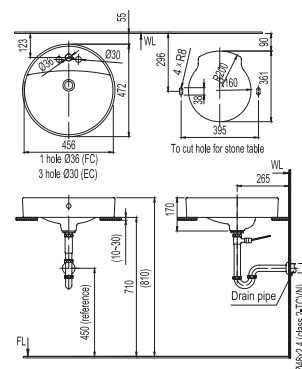
W499 x L449 x H181 mm



Concept

CL0294F1-6DA10

W456 x L472 x H170mm



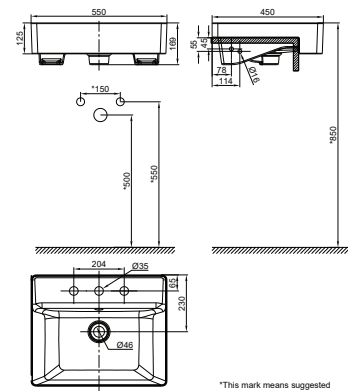
Semi Recessed



Acacia Supa Sleek

CCASF419-1010411FO

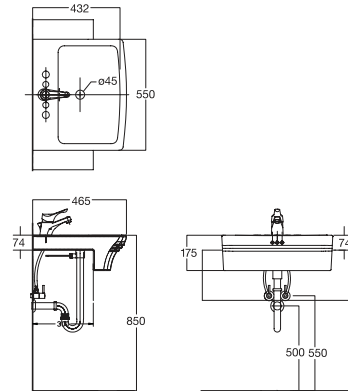
L500 x W450 X H125 mm,
5 mm thin edge



Neo Nobile

CCASF316-1010410FO

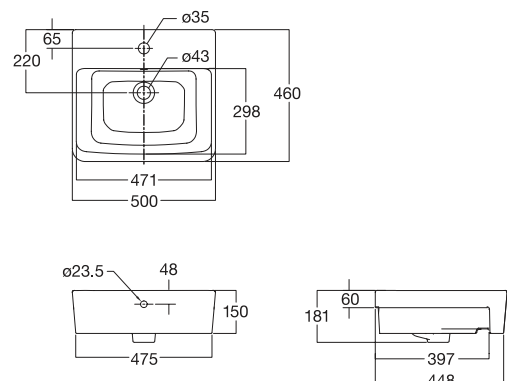
W465 x L550 x H175 mm



Acacia E

CL05191-6DACTLS

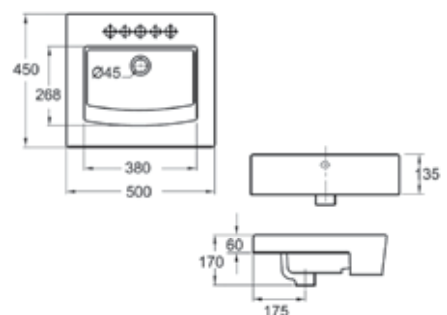
W460 x L500 x H181 mm



Acacia

CCASF372-1010410FO

W450 x L500 x H170 mm



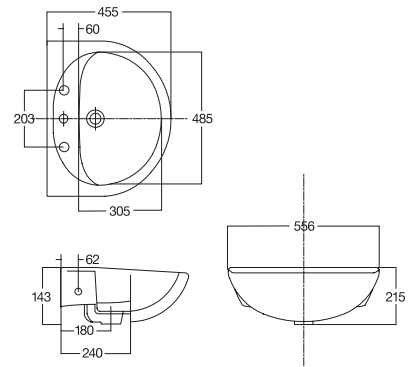
Semi Recessed



Paramount

CL0518I-6DACTLS

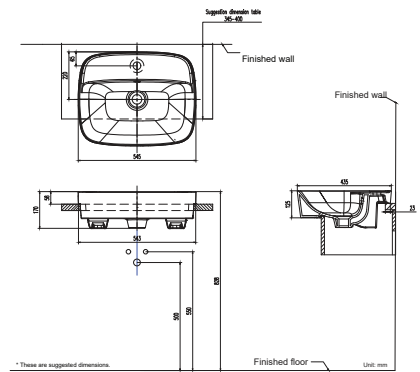
W455 x L556 x H215 mm



Signature 550 mm

CCAS0320-1010410F0

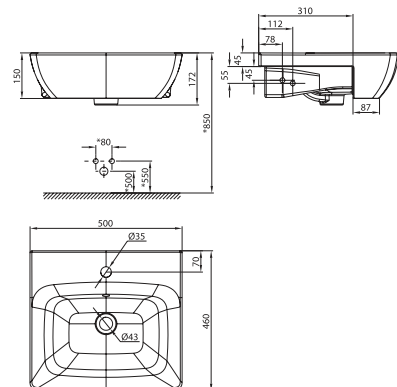
W435 x L545 x H171 mm



Milano

CCASF301-1010410F0

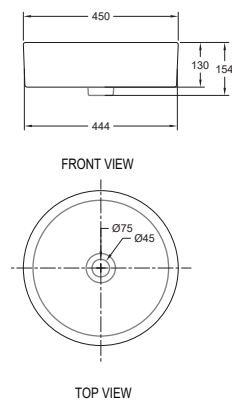
W460 x L500 x H172 mm



White

CCASF307-1010410F0

L450x H130 mm



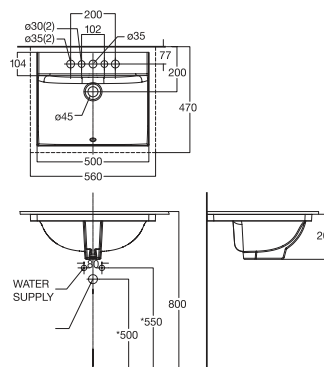
Under Counter



Concept Cube

CL0451I-6DAWDLU

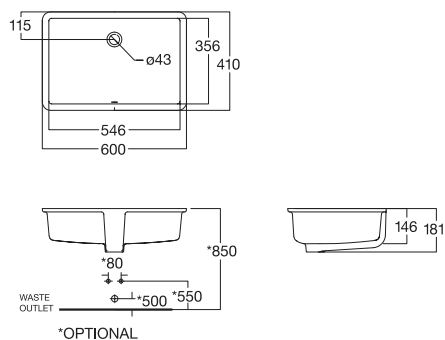
W470 x L560 x H200 mm



Square Thin
Square 600 mm

CCASF513-1000410FO

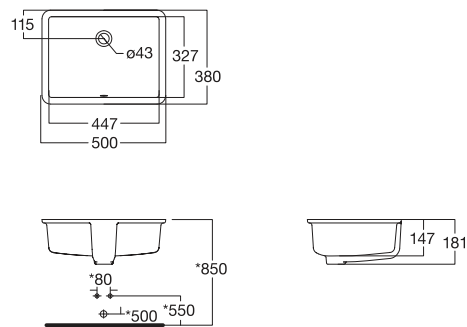
W410 x L600 x H180mm



Square Thin
Square 500 mm

CCASF514-1000410FO

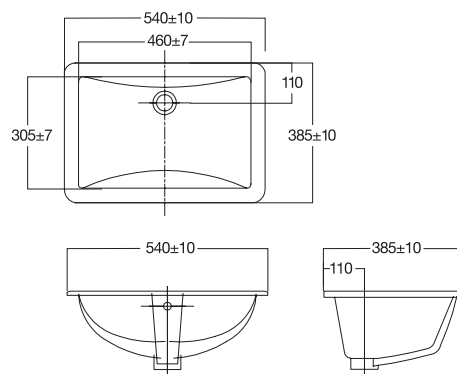
W380 x L500 x H181 mm
(with 147 mm. inside depth)



Studio

CL0474I-6DACTLU

W385 x L540 x H210 mm



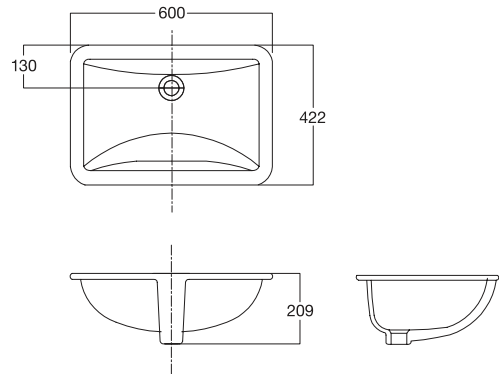
Under Counter



Activa

CCAS0440-1000410F0

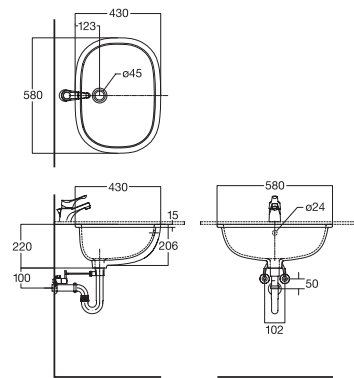
W422 x L600 x H290 mm



Active

CCAS0426-1000410F0

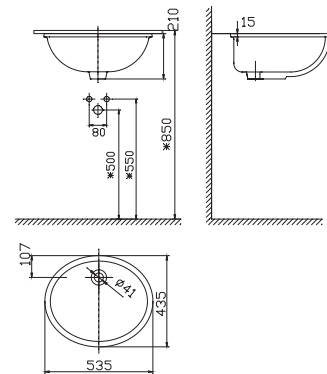
W430 x L580 x H220 mm



Cadet 550 mm

CL21611-1MA00

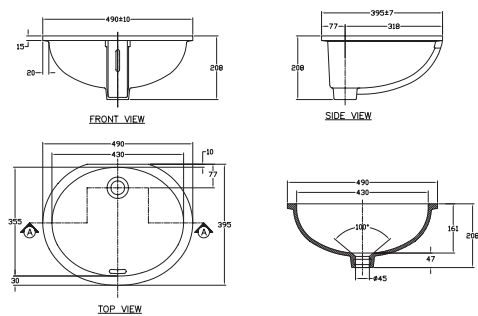
W535 x L435 x H210mm



Ovalyn

CL04701-6DAWDLU

W395 x L490 x H208mm



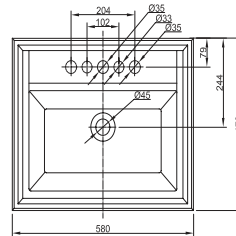
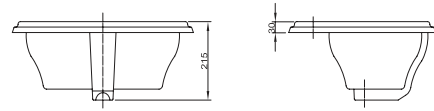
Wall-Hung



Town Square

CCASF479-0040410C0

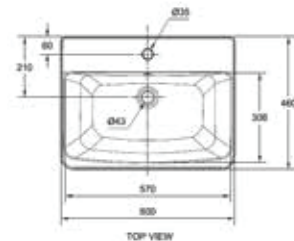
W470 x L580x H215 mm



Acacia E

CL05071-6DACTLWW

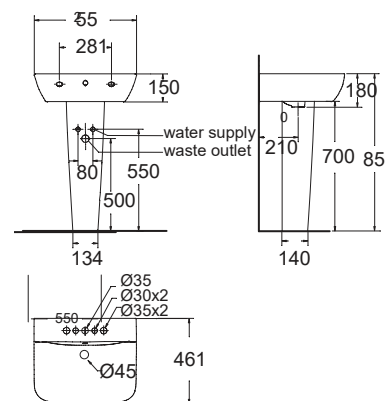
W400 x L600 x H170 mm



Cygnet

CCAS1511-1010410F0

W461 x L550 x H488 mm



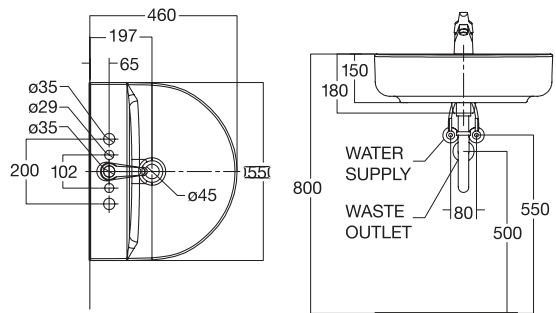
Wall-Hung



Concept D

CL0553I-6DACTLW

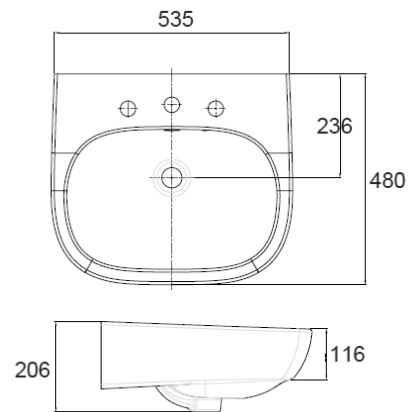
W460 x L550 x H180 mm



Active

CL0955I-6DACTLW

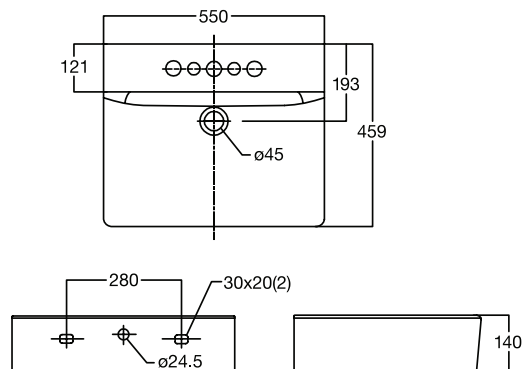
W480 x L535 x H116 mm



Concept Cube

CCASF550-1010410F0

W459 x L549 x H140 mm



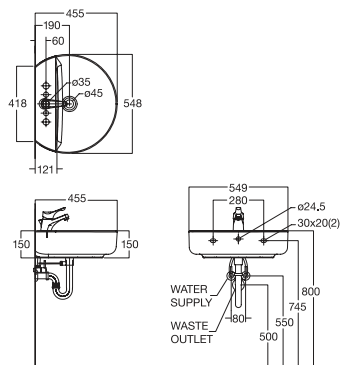
Wall-Hung



Concept Sphere

CL0552I-6DACTLW

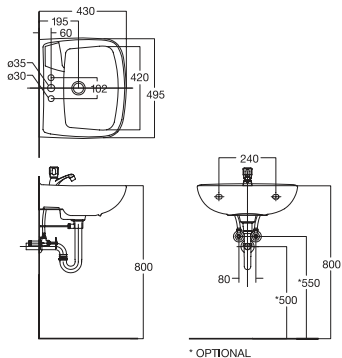
W455 x L550 x H150 mm



New
Codie Square

CCAS1560-1010410FO

W430 x L495 x H190 mm



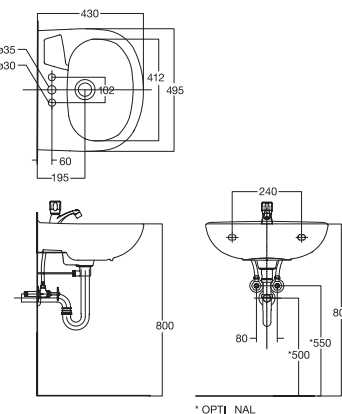
* OPTIONAL



New
Codie Round

CCAS1530-1010410FO

W430 x L495 x H190 mm



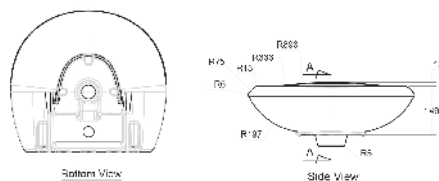
* OPTI NAL



Winston with
Rag Bolt Holes

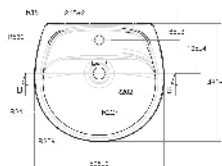
CCAS0279-1110410AO

L506 x W460 x H194 mm



Bottom View

Side View



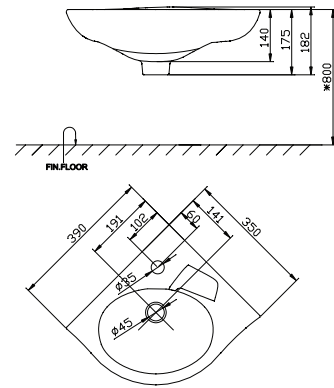
Corner



New Codie

CCAS0220-1010410F0

W350 x L390x H182 mm



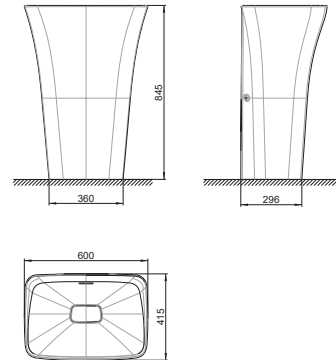
Floorstanding Vessel



Luxus

CCASF523-1000410C0

W415x L600 x H845 mm



THERMOSTAT & SHOWERS



Rejuvenate and invigorate with our showers of happiness. Here at American Standard, we are not only looking at perfecting your cleansing ritual. Combining smart designs, thoughtful innovations and environmentally-friendly technologies, we are here to inject a dose of pure adulterated happiness to your shower experience.

KEY FEATURES AND TECHNOLOGIES

CONVENIENCE



EASYCLICK

An instinctive button for switching between spray modes.



eTOUCH

Easy-access, waterproof remote switch that is mountable anywhere in the shower allows user to change shower function with a simple click.



SPACECREATE

Creates extra usable space in the bathroom.



EASYFIX

Hassle-free installation provides time and cost savings.



AQUATOGGLE

Smartly positioned lever allows users to easily switch between preferred functions while operating the spray head with a single hand.



EASYSWIVEL

Hassle-free installation provides time and cost savings.



PUSH & TURN

Dial adjusts water volume easily and offers daily convenience at the push of a button.



DIVERTPADDLE

Easy-to-reach position of diverter makes switching between hand shower and showerhead easier and more accessible.



PRESET

Starts shower at the push of a button which is preset to your previous shower settings.



TWISTFREE

Prevents shower hose from entangling.



EASYCLEAN

Allows easy removal of limescale, mold or dirt.



DOCK-TITE

Dock-Tite's magnetic docking system secures the spray head and provides easy operation of spray head



TOUCH

Effortlessly change the spray function with an easy touch of the showerhead's outer ring.



EASYPUSH

Easy to operate, even with wet or soapy hands.



EASYGLIDE

Hand shower holder that allows you to easily adjust its height, single-handedly.



FLEXIMATCH

Multiple colors and finishes to match any style.

COMFORT



THERMOCOMFORT

Provides a constant and comfortable temperature.



JET RAIN

Targeted jet spray that kneads tired muscles.



WATERFALL

A natural, cascading water flow.



TRANQUIL RAIN

Soft, drizzling shower that is perfect for rinsing shampoo out.



THERAPY RAIN

Soothing vortex spray that gently relaxes the body.



PETAL PRESSURE

Robust shower pressure yet gentle on your skin.

SAFETY



SAFETY LOCK

Keeps water at a safe temperature.



WATER-SAVING

Water-saving for ecological and economical sense.



DURASHINE

Shiny chrome finishing gives an enduring brilliance.



THERMOSAFE

Safety temperature control up to 49°C, with an auto shut-off function when cold water supply fails.



AIRNERGIZE

Air-infused water provides a luxurious shower experience while using lesser water.



COOLSHIELD

Body of faucet stays cool and prevents scalding shocks.

SUSTAINABILITY

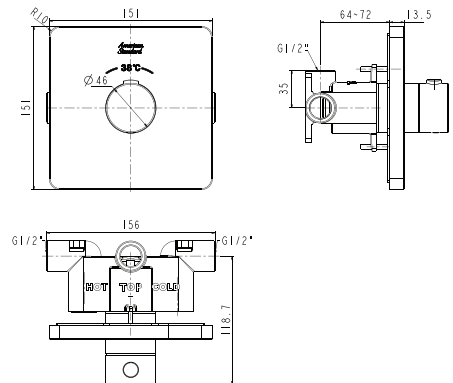
DURABILITY

Thermostat



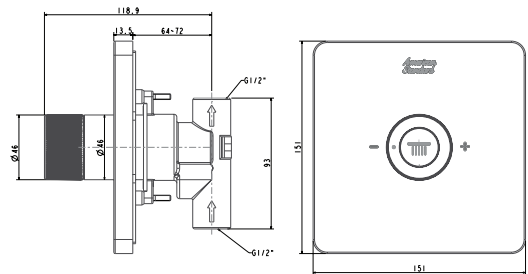
EasySET
Concealed Thermostatic Mixer with Trim

FFAS0930-000500BCO



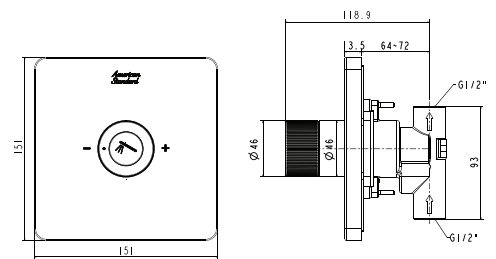
EasySET
for Head Shower

FFAS0926-709500BCO



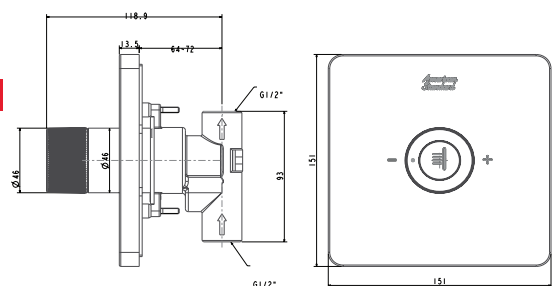
EasySET
for Hand Shower

FFAS0925-709500BCO

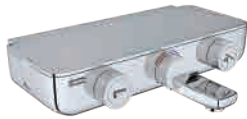


EasySET
for Body Shower

FFAS0927-709500BCO

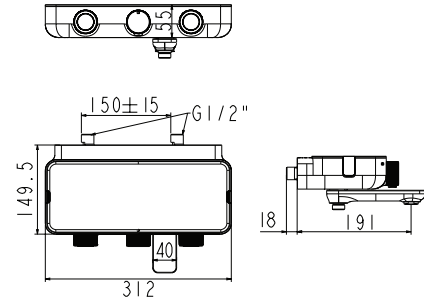


Thermostat



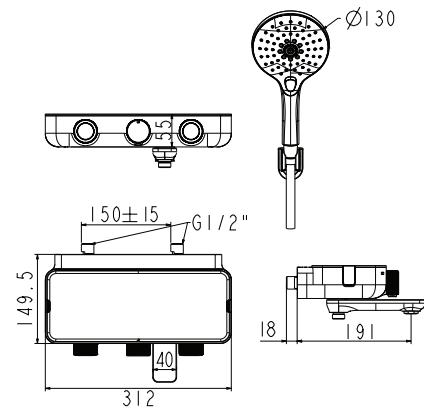
EasySET
Exposed Bath & Shower Mixer

FFAS4954-609500BCO



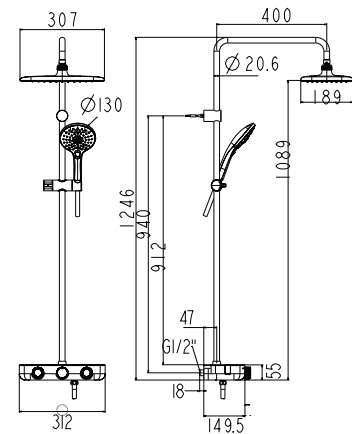
EasySET
Exposed Bath & Shower Mixer
with Shower Kit

FFAS4954-601500BCO



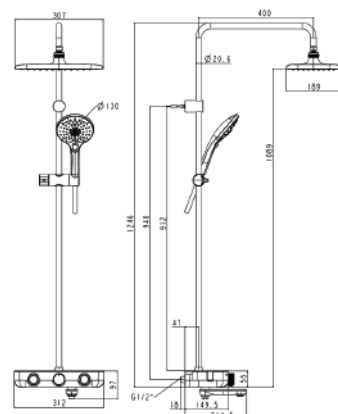
EasySET
Exposed Rainshower System

FFAS4955-701500BCO



Easy set exposed bath and
shower 3-way rainshower system

FFAS4956-601500BCO

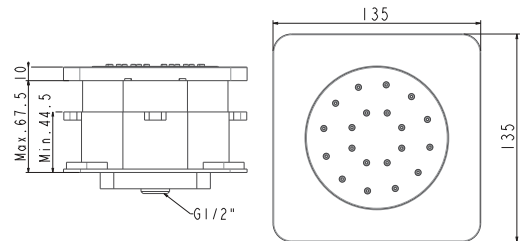


Thermostat

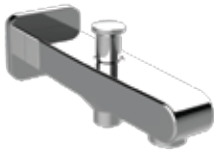


EasySET Body Showers
with Concealed Body

FFASS054-000500BC0

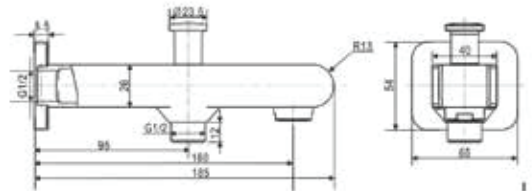


BATH SPOUT WITH DIVERTER



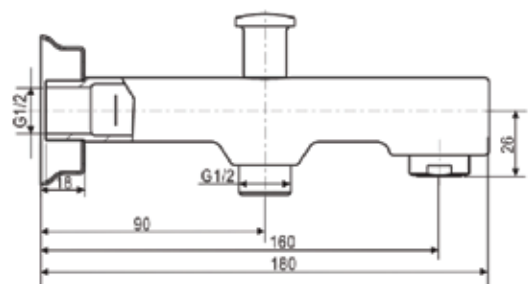
Onyx
Bath Spout
with Diverter

FF1-CN521X00000460



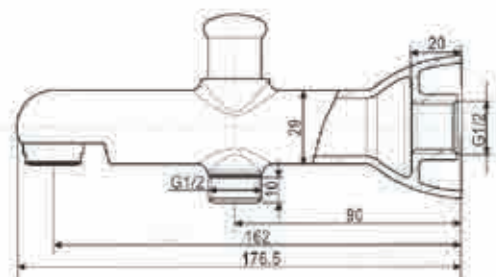
Rectangle
Bath Spout
with Diverter

FF1-CN521X00000461



Minimalistic
Bath Spout with Diverter

FF1-CN521X00000458

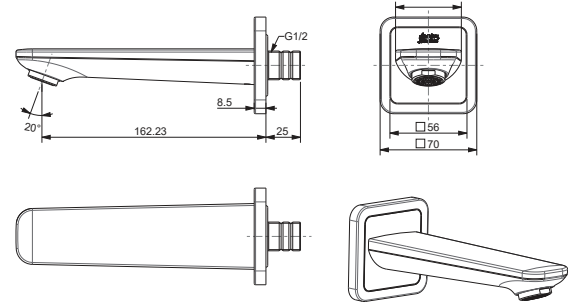


BATH SPOUT



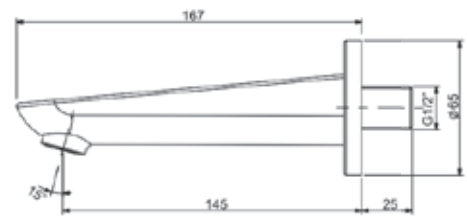
Milano
Bath Spout

FFAS9714-000500BF0



Cygnet
Bath Spout

FF1-CN521X00000478



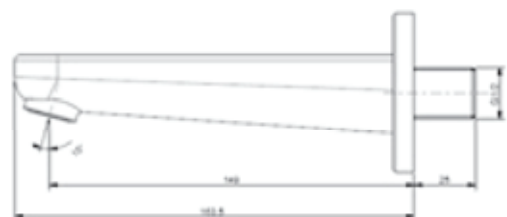
Simplicity
Square Bath Spout

FF1-CN521X00000480



Neo Modern
Bath Spout

FF1-CN521X00000477

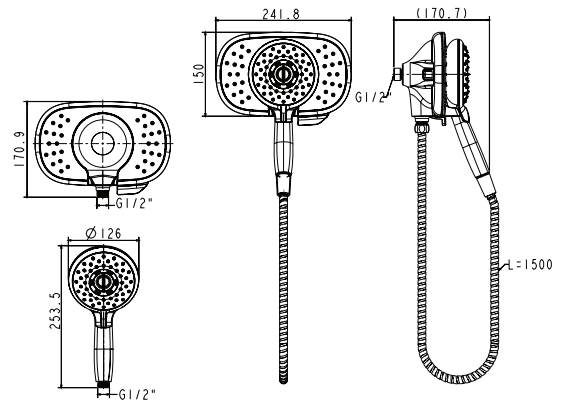


SHOWER HEADS



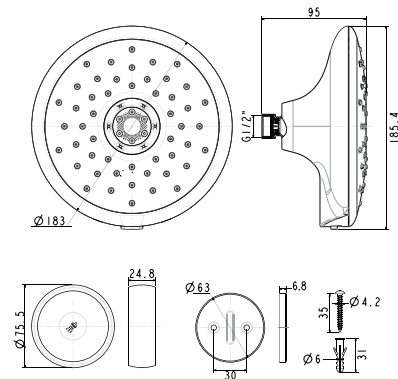
**Spectra Duo
2-in-1 Shower**

FFASS055-000500BC0



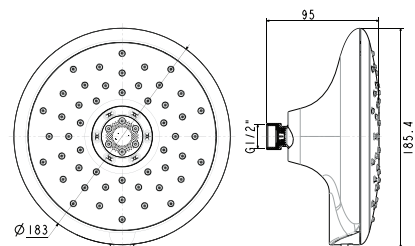
**Spectra eTouch
Shower Head**

FFASS057-000500BC0



Spectra Touch

FFASS056-000500BC0





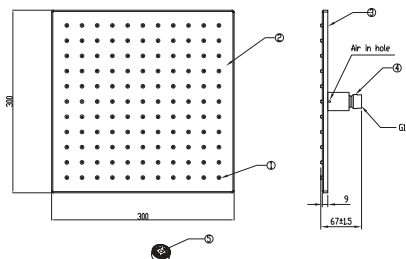
Oxygenating Vigour

What happens when air meets water? Imagine thousands and thousands of water bubbles raining down on you, gliding effortlessly on your skin. Bask in the therapeutic drumming of air-infused water droplets that are individually bubble-wrapped with the pure goodness of oxygenating vigor. A sensorial wake-up call from "air-energetic shower". AIRNERGIZE bathes you in air and water energy. Jumpstart your day with an invigorating body wash, or simply wind down while enjoying the luxurious spray it offers.

Brass With Air-In Square

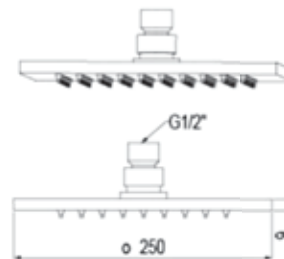
FFASTS06-006500BFO

300X300 mm
Without Shower Arm



FFASS038-000500BCO

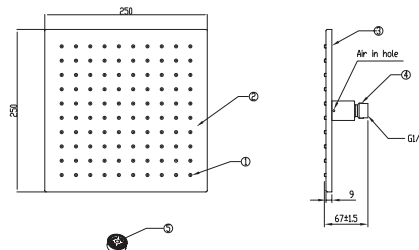
254mm Square Brass



Brass With Air-In Square

FFASTS05-006500BFO

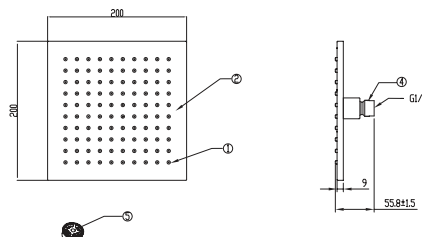
250X250 mm
Without Shower Arm



Brass Square

FFASS037-000500BFO

200x200 mm
Without Shower Arm





Round or square, there's air in there

CHROME SHOWERHEAD

Our chrome-finished showerheads come in round shape to fit any bathroom styles. Airnergize Technology infuses air into water droplets, giving you a refreshing and full shower boost. This water-conserving showerhead also features

limescale-free nozzles with just a quick rub on the showerhead.

- Less water, luxurious water performance
- Smart Limescale Cleaning
- Available in 8", 10" and 12"

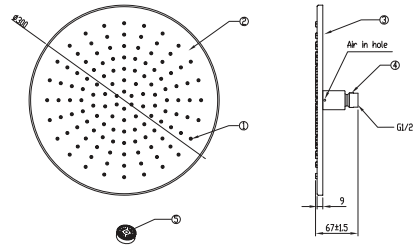
Round showerheads

- Available in 200mm, 250mm, and 300mm

Square showerheads

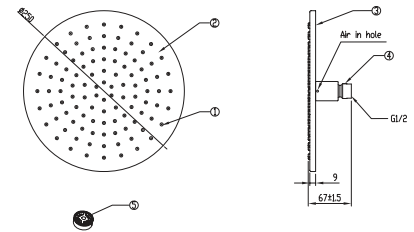
FFASTS04-006500BFO

Brass With Air-In Round 12"
Without Shower Arm



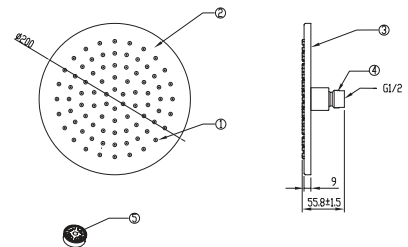
FFASTS03-006500BFO

Brass With Air-In Round 10"
Without Shower Arm



FFASS035-000500BFO

Brass Round 8"
Without Shower Arm





Airnergize Overhead Shower

Stainless Steel Showerhead

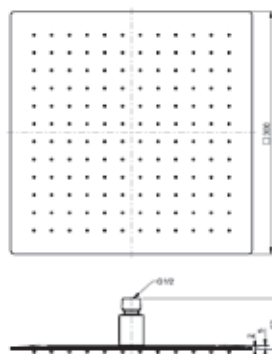
The elements of Air and Water are great gifts from nature. Though vastly different, the combination of the duo conjures a powerful world of emotion. And that is something we will like to bring to you in your private shower enclave. Thanks to our thoughtful Airnergize Technology which infuses water droplets with air, you are wrapped in a full shower spray and still assured of lesser water usage.

- Less water, luxurious water performance
- Corrosion-resistant showerhead
- Ultra-slim at 2mm of edge thickness
- Smart Limescale Cleaning
- Available in 200, 250, 300mm

Square showerheads
Airnergize Overhead Shower Rain

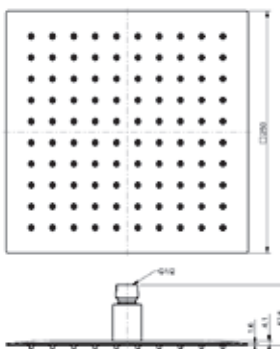
FFASS034-000500BC0

Super Thin 300 mm Square Rain Shower Head



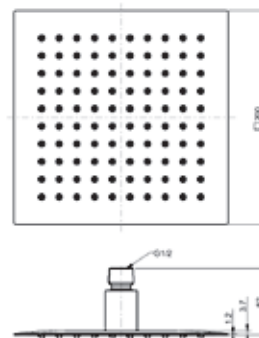
FFASS033-000500BC0

Super Thin 250 mm Square Rain Shower Head



FFASS032-006500BC0

Super Thin 200 mm Square Air-in Rain Shower Head





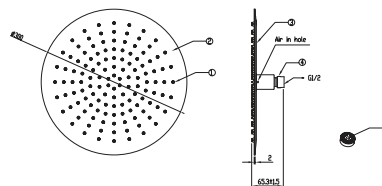
Slim in silhouette, big on water performance

Stainless Steel Showerhead
 Made from 304 Stainless Steel (a highly corrosion-resistant material), and at just 2mm of edge thinness, the Airnergize Ultra Slim Overhead Shower is slim in silhouette but big on-water performance. Treat yourself to a full shower pleasure with the Airnergize showerhead. Flexible silicone nozzles ensure limescale deposits are easily rubbed o in an instant.

- Less water, luxurious water performance
- Corrosion-resistant showerhead
- Ultra-slim at 2mm of edge thinness
- Smart Limescale Cleaning
- Available in 8", 10" and 12" Round showerheads

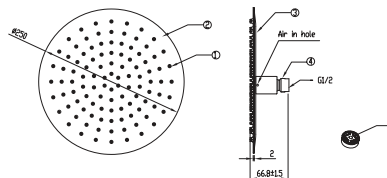
FFASTS02-006500BFO

Stainless Steel With Air-In
 Round 12" without Shower arm



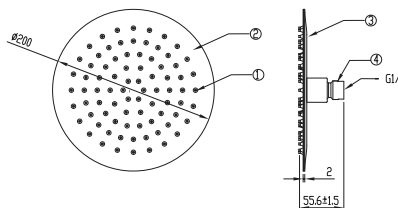
FFASTS01-006500BFO

Stainless steel with Air-in
 Round 10" without Shower arm



FFASS029-000500BFO

Stainless steel Round 8"
 without Shower arm

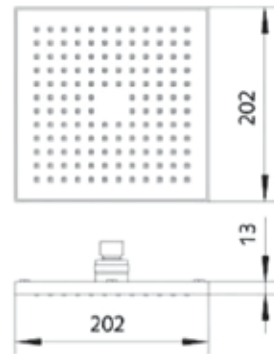


Shower Head



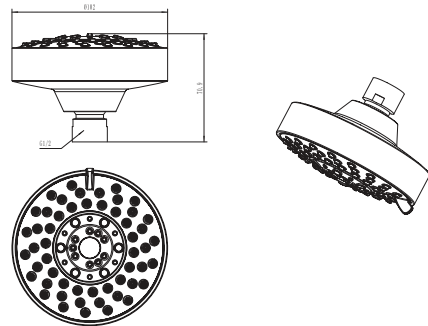
FFASS026-006500BCO

202mm Round-Air Ind Chk



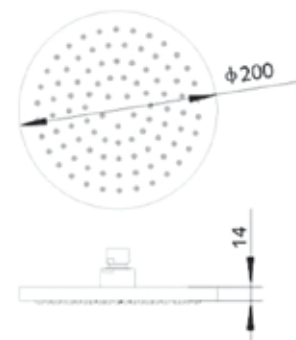
F40011-CHADY

100 mm 5-Function With Shower Arm



FFASS025-006500BCO

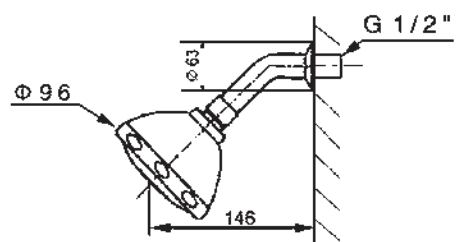
200 mm Round-Air Ind Chk



Idyll Shower Head

FFAS9033-000500BCO

Shower Head With Arm



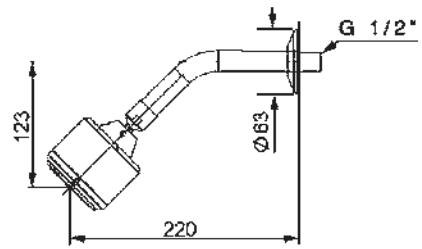
Shower Head



Celia Shower Head

FFAS9036-000500BCO

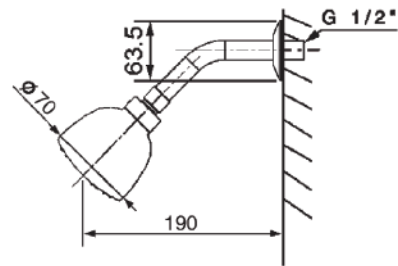
Shower Head With Arm



Olyos Shower Head

FFAS9031-000500BCO

Shower Head With Arm



Shower Arms



Shower Arm

FF163505050



Shower Arm

F46022-CHACT

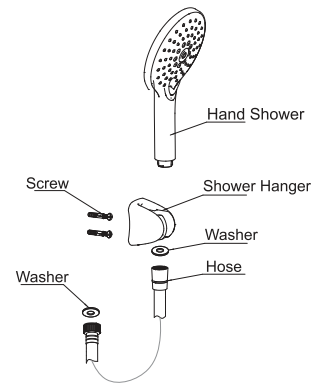
Hand Shower



Click Hand Shower

F40017-CHADY

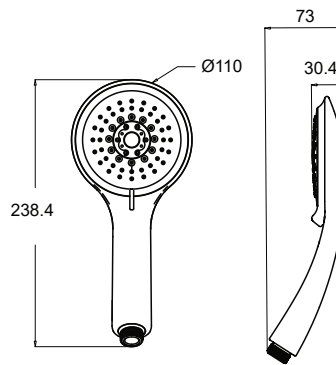
3-Function Hand Shower Set With Push Button



Hand Shower

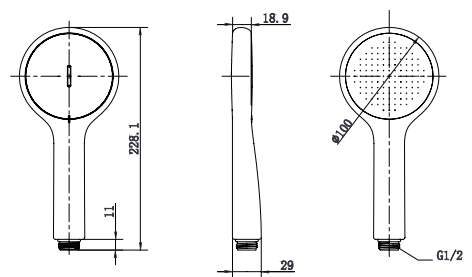
F46014-CHADYHS

Hand Shower With Hook & Hose



GENIE Hand Showers only

FFASS505-000600BAO (Aquamarine)
FFASS505-000560BAO (Petal Pink)
FFASS505-000440BAO (Steel Grey)



BATHTUBS



Thoughtfully designed for ultimate comfort and manufactured for durability, whether it is an exquisitely (seamlessly) designed wellness tub for a luxurious pampering or an intimate bathtub for a comforting wind-me-down, we are sure you will find your favorite American Standard tub here.

ULTIMATE COMFORT WITH THE WELLNESS SERIES

TWIN PLUS SYSTEM

Both whirlpool jets and blowers work together to pump air simultaneously from the bottom and sides of the bathtub, providing the full benefits of a hydro massage.

WHIRLPOOL SYSTEM

Air compression system creates a whirlpool effect throughout the tub, stimulating the body's own nervous and circulatory systems to improve nerve activation and blood movement.

AIRPOOL SYSTEM

Airpool system creates a profusion of tiny air bubbles to increase oxygen content, resulting in a freshening effect that relaxes the skin and relieves stress.

DRY JET MASSAGE SYSTEM

The system gently kneads the user's back and neck area to sooth aching and tired muscles.

OZONE GENERATION

Ozone has been medically proven not only to make air cleaner but also to alleviate or suppress maladies such as infections and allergic reactions.

HYGIENE

The wellness tub monitors the entire disinfection system to guarantee that germs do not remain after extended tub use, ensuring optimal user hygiene.

CHROMATHERAPY

A lighting system that uses multi-coloured light wave reflections for a holistic approach to healing one's body and mind.

WHITE

Increases calmness and rejuvenates one's body and mind

RED

Excites, increases heartbeat and blood circulation. Creates new energy and strength

GREEN

Cures anxiety, headaches and insomnia

BLUE

Heightens awareness, intuition creativity and imagination

ORANGE

Stimulates digestion and soothes cramps and contractions. Induces serenity, enthusiasm and joy

YELLOW

Improves reflexes, aids digestion and reinforces nervous system. Enduces a sense of well-being, extroversion and awareness

INDIGO

Decreases heartbeat and pressure

PURPLE

Stimulates white blood cell production, spleen and bone development. Encourages spirituality, inspiration and imagination

WELLNESS TUBS



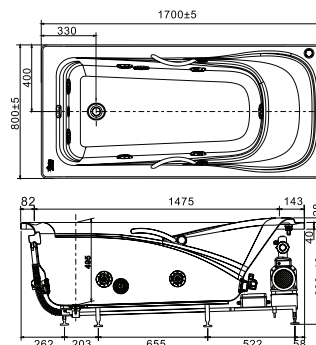
Concept
Drop-In Tub
(Whirlpool with Handles)

BTAS6716-2650403C5

L1700 x W800 x H640 mm

Acrylic with E-Fibre Reinforcement

- Ozone
- Chromatherapy

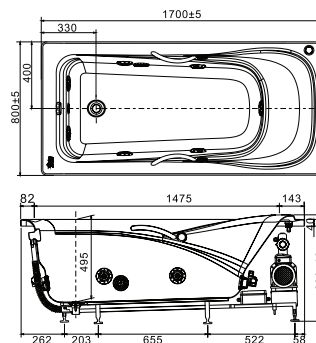


Concept
Drop-In Tub (Whirlpool with Foot
& Lumber Massage; with
Handles)

BTAS6716-2350403C5

L1700 x W800 x H640 mm

Acrylic with E-Fibre Reinforcement



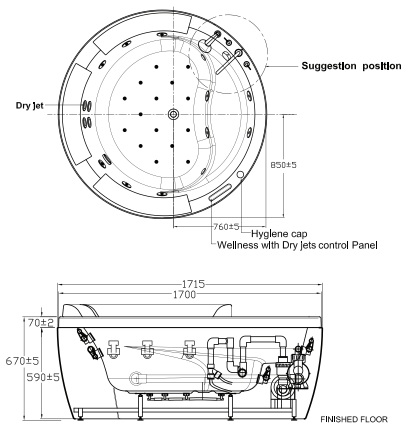
IDS Round Freestanding
Tub (Whirlpool + Airpool)

B70212-6DAWD

Ø1715 x H670 mm

Acrylic with E-Fibre Reinforcement

- Ozone
- Chromatherapy
- Dry Jet

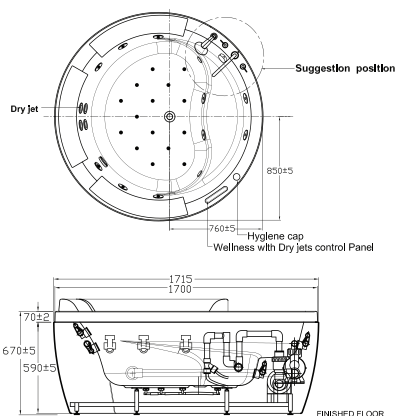


IDS Round
Freestanding Tub (Whirlpool)

B70211-6DAWD

Ø1715 x H670 mm

Acrylic with E-Fibre Reinforcement



FREESTANDING TUBS

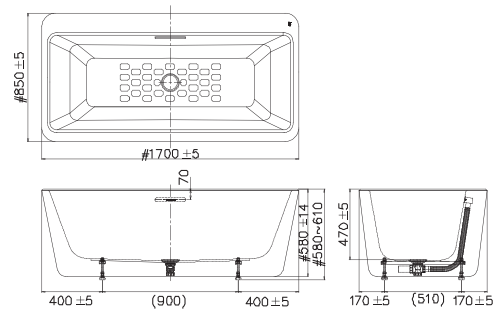


**Acacia Evolution
1.7M Acrylic Seamless
Freestanding Tub**

BTAS6719-032ASXJFO

L1700 x W850 x H580 mm

Acrylic with E-Fibre
Reinforcement

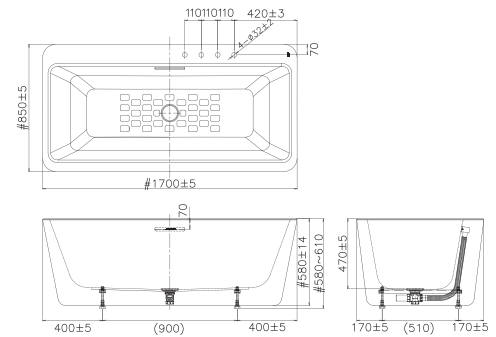


**Acacia Evolution
1.7M Acrylic Seamless
Freestanding Tub (with Faucet
Installation Holes)**

BTAS6719-602ASXJFO

L1700 x W850 x H580 mm

Acrylic with E-Fibre
Reinforcement



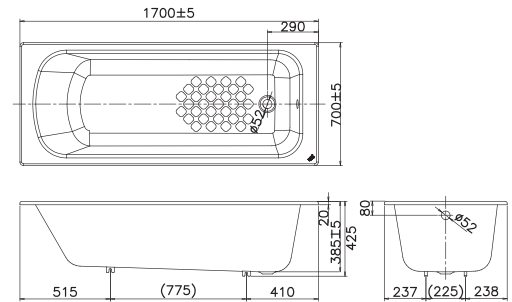
DROP-IN TUBS



Milano
1.7M Cast Iron Drop-in Tub

BTAS2708-0520403C5

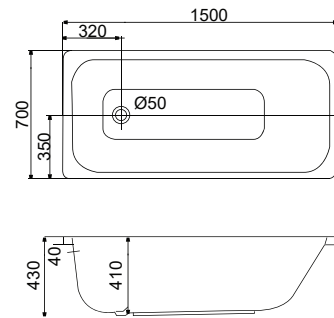
L1700 x W700 x H425 mm
Scratch & Wear Resistant
Cast Iron



New Codie
1.5M Acrylic Drop-in Tub

BTAS6512-0520403C5

L1500 x W700 x H430 mm
Acrylic with E-Fibre
Reinforcement





ACCESSORIES



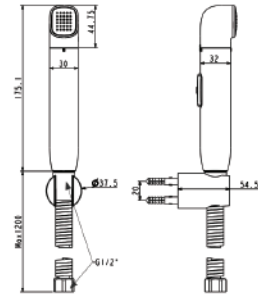
Often overlooked, bathroom accessories not only make a bathroom more functional but they also add a personal touch to the most practical space in the house, so complete your bathroom space with our range of accessories including paper holders, towel racks, glass shelves, robe hooks to name a few.

ACCESSORIES



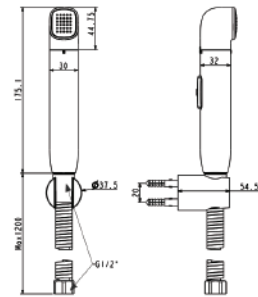
DuoSTiX Hygiene Spray (Chrome & Matte Black)

FFASTS28-000440BFO



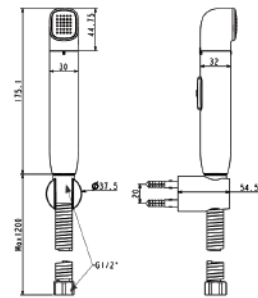
DuoSTiX Hygiene Spray (Chrome & Glossy White)

FFASTS28-000090BFO



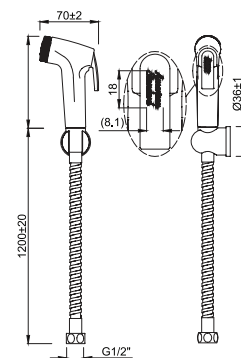
DuoSTiX Hygiene Spray (Glossy White)

FFASTS28-000091BFO



Hygiene Spray

CLTP405-CHZZ

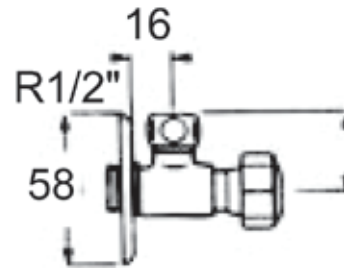


ACCESSORIES



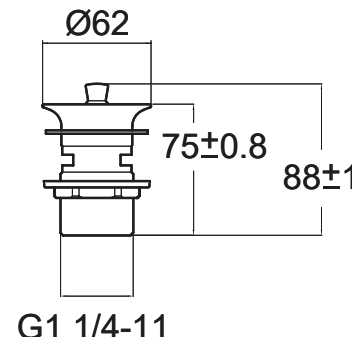
Angle Valve

F54400-CHACT



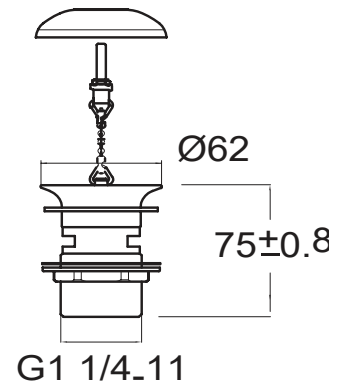
Waste & Overflow

F78007-CHADY



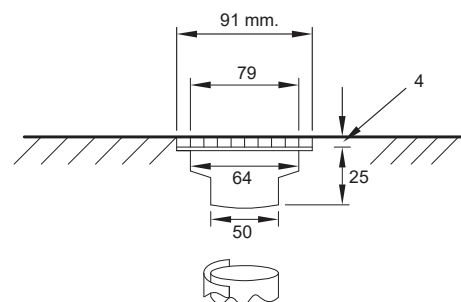
Waste & Overflow

F78006-CHADYN



Floor Drain

F78200-CHADYN

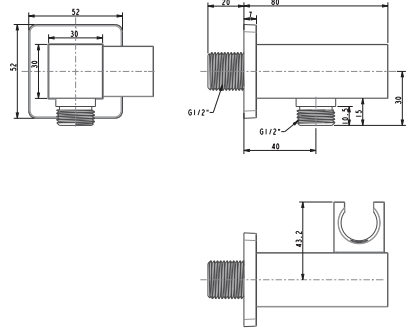


ACCESSORIES



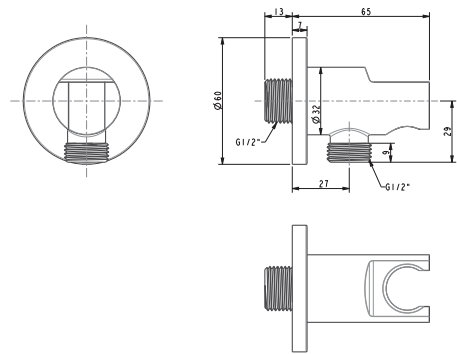
Wall outlet with Holder (Square)

FFAS9143-000500BCO



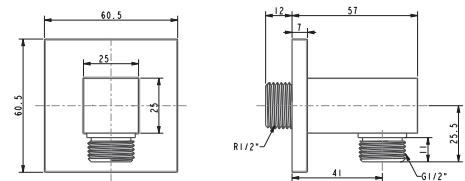
Wall outlet with Holder (Round)

FFAS9141-000500BCO



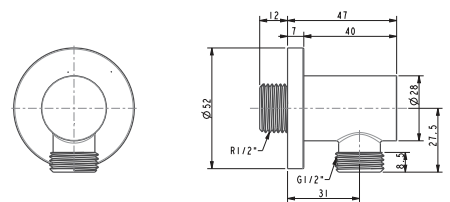
Wall Outlet (Square)

FFAS9142-000500BCO



Wall Outlet (Round)

FFAS9140-000500BCO



COMMERCIAL



Explore our line of commercial sanitary ware that is built with quality, reliability and durability to stand up to heavy use. Equally important are the designs and technologies we have embedded in our products to optimize water efficiency and ease of maintenance so as to minimize environmental impact and help you achieve greater savings.

KEY FEATURES AND TECHNOLOGIES

HYGIENE



SPLASH-FREE FLUSHING

Anti-splash flushing regardless of water pressure.



DIRT RESISTANT

Self-cleaning to prevent dirt from accumulating.

CONVENIENCE



EASYFIX

Hassle-free installation provides time and cost savings.

SUSTAINABILITY



LINE SENSOR

Unmatched sensor precision compared to a conventional sensor faucet.



HYDROPOWER

Uses water flow to power the sensor faucet.

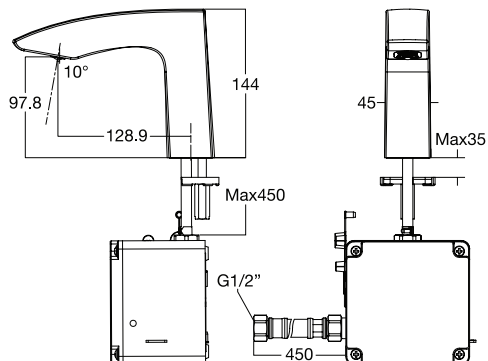
SENSOR FAUCETS



**Line-Sensor Technology
Sensor Faucet**

FFAS8506-D00500BFO (DC)
FFAS8506-A00500BFO (AC)

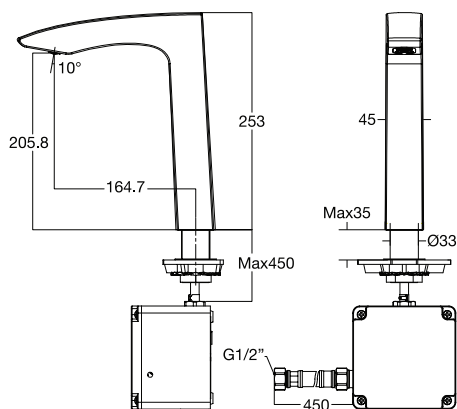
Line sensor at the spout
With PCA aerator to ensure stable water flow under high pressure
Safety stop at 59 sec
AC 220V, 50Hz or
6V alkaline battery



**Line-Sensor Technology
Extend Sensor Faucet**

FFAS8507-D00500BCO (DC)
FFAS8507-A00500BCO (AC)

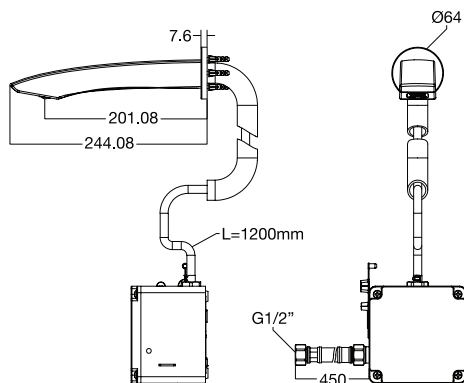
Line sensor at the spout
With PCA aerator to ensure stable water flow under high pressure
Safety stop at 59 sec
AC 220V, 50Hz or
6V alkaline battery



**Line-Sensor Technology
Wall Mount Sensor Faucet**

FFAS8508-D00500BFO (DC)
FFAS8508-A00500BFO (AC)

Line sensor at the spout
With PCA aerator to ensure stable water flow under high pressure
Safety stop at 59 sec
AC 220V, 50Hz or
6V alkaline battery



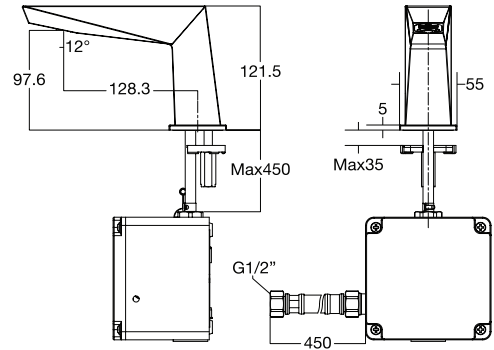
SENSOR FAUCETS



Line-Sensor Technology Square Sensor Faucet

FFAS8509-D00500BF0 (DC)
FFAS8509-A00500BC0 (AC)

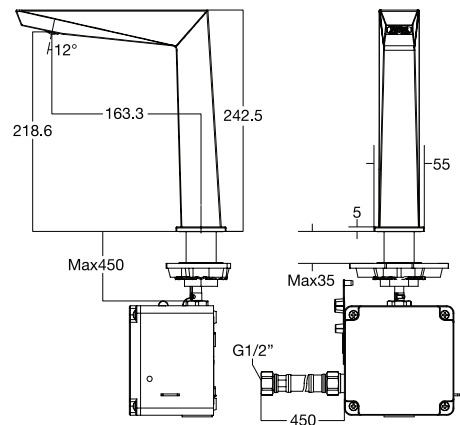
Line sensor at the spout
With PCA aerator to ensure stable
water flow under high pressure
Safety stop at 59 sec
AC 220V, 50Hz or
6V alkaline battery



Line-Sensor Technology Square Extend Sensor Faucet

FFAS8510-D00500BF0 (DC)
FFAS8510-A00500BC0 (AC)

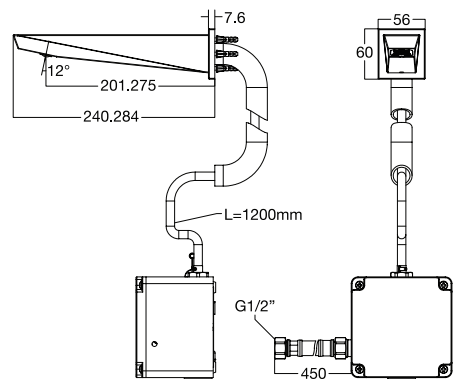
Line sensor at the spout
With PCA aerator to ensure stable
water flow under high pressure
Safety stop at 59 sec
AC 220V, 50Hz or
6V alkaline battery



Line-Sensor Technology Wall Mount Square Sensor Faucet

FFAS8511-D00500BF0 (DC)
FFAS8511-A00500BC0 (AC)

Line sensor at the spout
With PCA aerator to ensure stable
water flow under high pressure
Safety stop at 59 sec
AC 220V, 50Hz or
6V alkaline battery



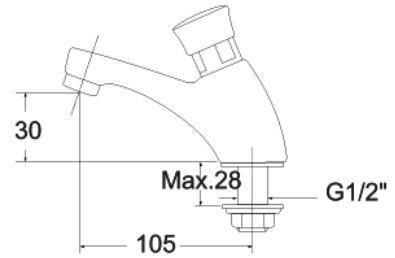
SELF-CLOSING FAUCETS



Self-closing Faucet

F22400-CHACTN

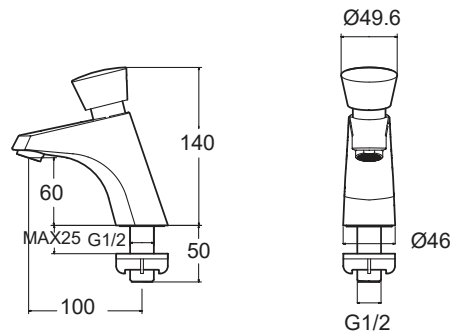
Self-closing cartridge with cast brass body



Self-closing Faucet

FFAS4609-101500BFO

Self-closing cartridge with cast brass body



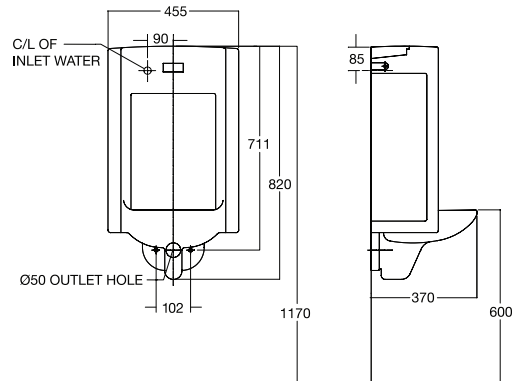
URINALS



VC
Integrated Urinal

CCAS6506-4110410F0

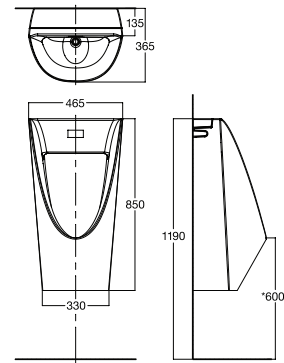
P370 x L455 x H820 mm



Concept
Integrated Urinal

CCAS6507-3100410C0

L465 x P365 x H850 mm



Lynbrook
FSD Urinal

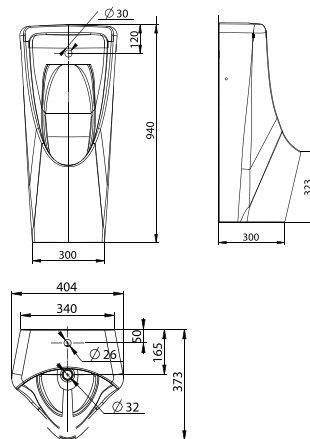
CCAS6605-3200420F0

(Top Inlet)

CCAS6605-3100420F0

(Back Inlet)

L373 x P404 x H940 mm

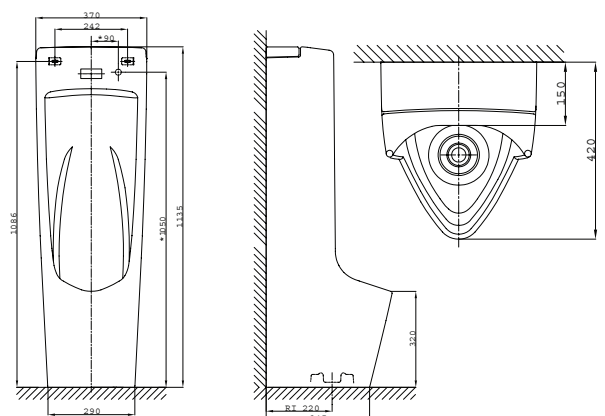


Lynbrook
FSD Int Urinal

CCAS6606-311A410C0 (DC)

CCAS6606-312A410C0 (AC)

L370 x P420 x H1135 mm



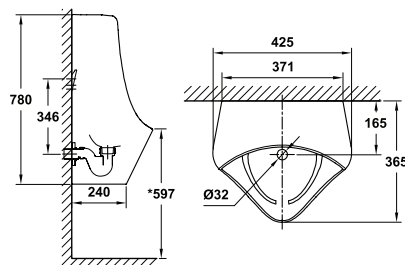
URINALS



Lynbrook Integrated Wall Hung Urinal (AC)
Lynbrook Integrated Wall Hung Urinal (DC)

CCAS6519-3120410F0
CCAS6519-3110410F0

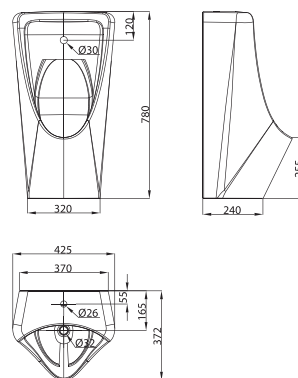
L425 x P372 x H780 mm



Lynbrook
Wall Hung Urinal

CCAS6509-3200410C0
(Top Inlet)
CCAS6509-3100410C0
(Back Inlet)

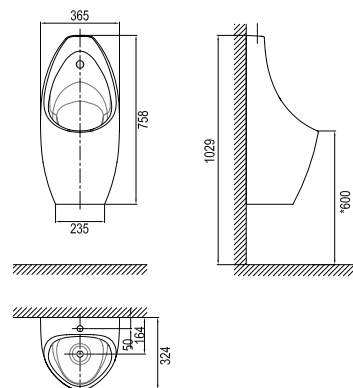
L425 x P372 x H780 mm



Contour
Urinal

CCAS6737-3200410F0
(Top Inlet)
CCAS6737-3100410F0
(Back Inlet)

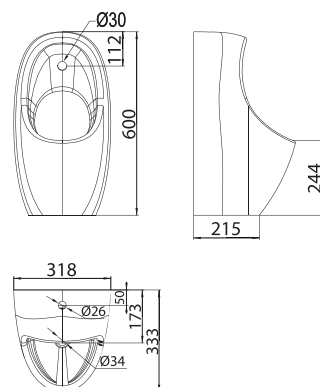
L365 x P324 x H758 mm



Flexbrook
Urinal

CCAS6510-3200410C0
(Top Inlet)
CCAS6510-3100410C0
(Back Inlet)

L318 x P333 x H600 mm



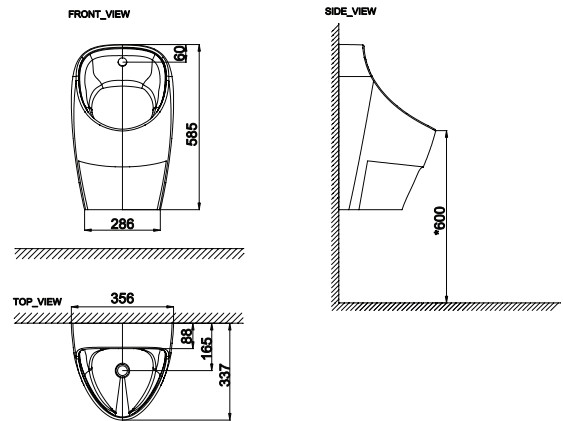
URINALS



Neo Modern Urinal

CCAS6747-3100410C1

L356 x P337 x H585 mm

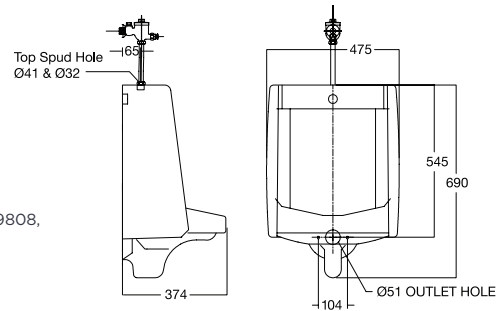


Washbrook Urinal

CCAS6591-3200410CO (Top Inlet)
CCAS6591-3100410CO (Back Inlet)

L475 x P374 x H690 mm

FF1-CN521G00000065, CCI-CN511MC0009808, FF1-CN521F000000117 must be ordered separately for the Top Inlet
 CCI-CN511MC0009808 must be ordered separately for the Back Inlet

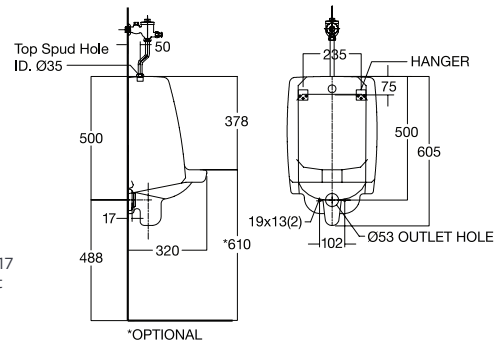


Mini Washbrook Urinal

CCAS6401-3200410FO (Top Inlet)
CCAS6401-3100410FO (Back Inlet)

L355 x P320 x H615 mm

FF1-CN521G00000065, FF1-CN521F000000117 must be ordered separately for the Top Inlet
 FF1-CN521G00000065 must be ordered separately for the Back Inlet

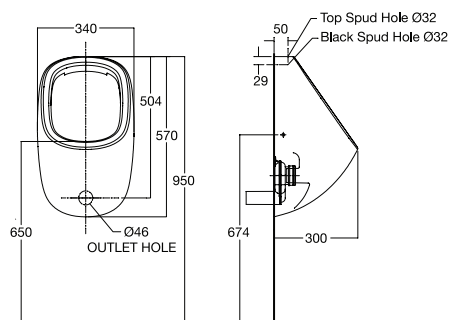


Active Urinal

CCAS6728-3200410FO (Top Inlet)
CCAS6728-3100410FO (Back Inlet)

L340 x P300 x H570 mm

FF1-CN521G00000065, FF1-CN521F000000117 must be ordered separately for the Top Inlet
 FF1-CN521G00000065 must be ordered separately for the Back Inlet



URINALS

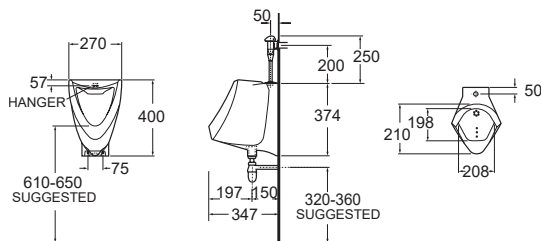


Wall Urinal

CL0412U-6DACTUS

L270 x P347 x H400 mm

M11408 must be ordered separately

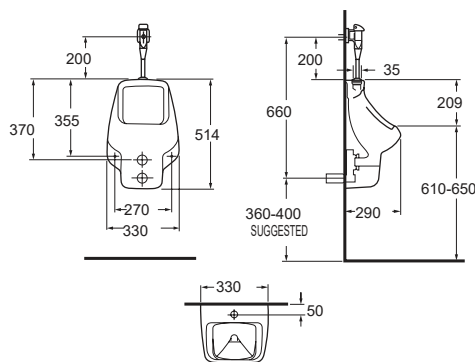


Penta Urinal

CL6734U-6DACTUS

L330 x P290 x H514 mm

FF1-CN521G00000065, FF1-CN521F000000117 must be ordered separately for the Top Inlet



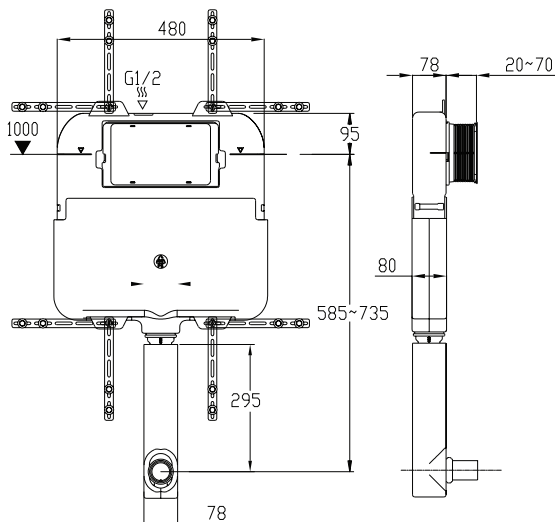
CONCEALED CISTERNS



Concealed Cistern

FK303D01-AAS11

Dirt resistant
Partial flush at 3L, Full flush at 4.5 to 6 L



CISTERN PLATES

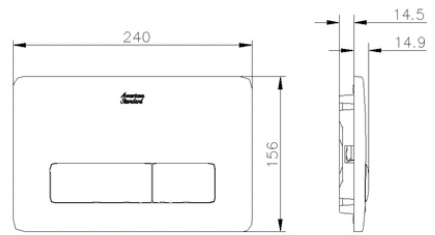


Concept Oblong Flush Plate

CLCN59ZZ

L240 x H156 mm

Mechanical faceplate
Tool-free mounting and maintenance work on concealed cistern
Actuation force <20N

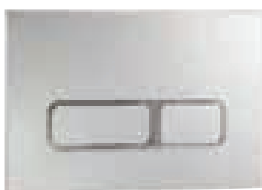
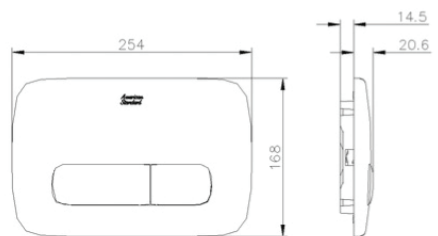


Concept Pillow Flush Plate

CLCN60ZZ

L254 x H168 mm

Mechanical faceplate
Tool-free mounting and maintenance work on concealed cistern
Actuation force <20N

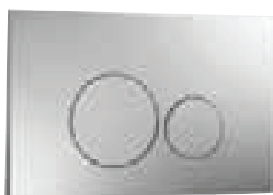
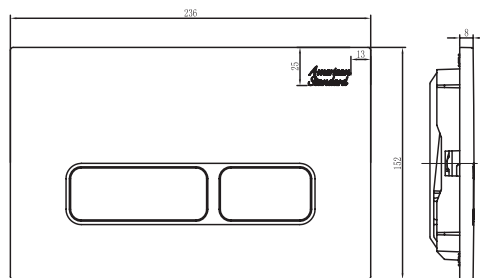


Little Square

FA2315A0-CH

L236 x H152 mm

Mechanical faceplate
Tool-free mounting and maintenance work on concealed cistern
Actuation force <20N

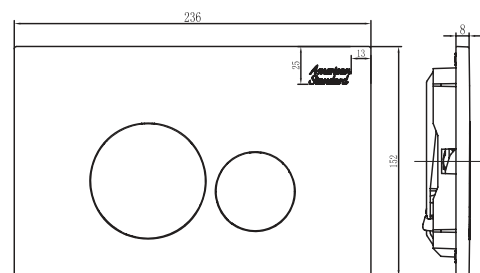


Dynamic Dots

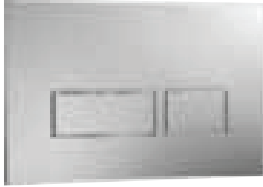
FA0325A0-CH

L236 x H152 mm

Mechanical faceplate
Tool-free mounting and maintenance work on concealed cistern
Actuation force <20N



CISTERN PLATES

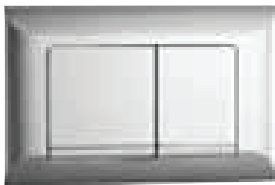
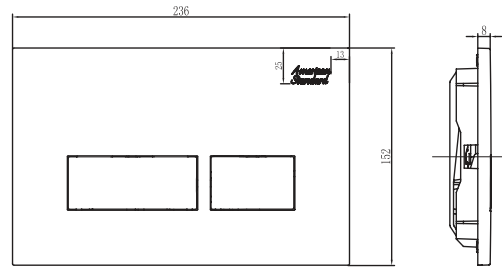


Stretch Square

FA1325A0-CH

L236 x H152 mm

Mechanical faceplate
Tool-free mounting and maintenance work on concealed cistern
Actuation force <20N

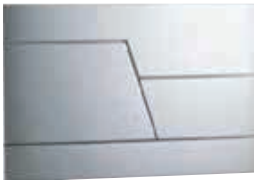
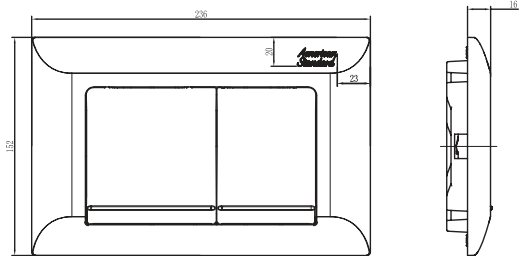


Wide Square

FOA1350A-ACH

L236 x H152 mm

Mechanical faceplate
Tool-free mounting and maintenance work on concealed cistern
Actuation force <20N

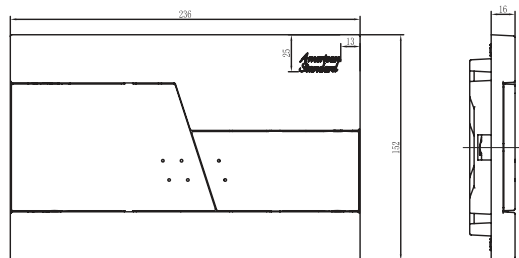


Step Square

FA4305A0-CH

L236 x H152 mm

Mechanical faceplate
Tool-free mounting and maintenance work on concealed cistern
Actuation force <20N



FLUSH VALVES (TOILET)

Concealed Portion



Concept Arc Dual Flush Valve

FFAS9809-000500BA0

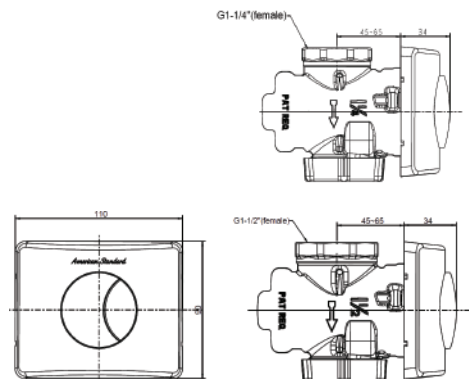
(32mm)

FFAS9808-000500BA0

(40mm)

L110 x H90 mm

Cartridge tested for 200,000 Cycles for full full flush
Full flush: ≥ 4.5 LPF
Half flush: Less than Full Flush
Half Flush Self-closing on continuous press



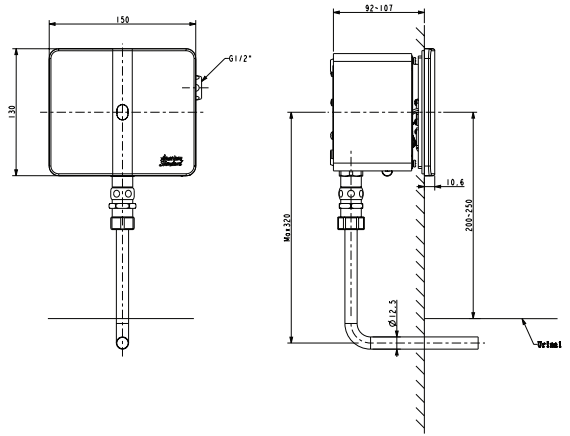
FLUSH VALVES (URINAL)



**Senseflow
Concealed Urinal Sensor
Flush Valve**

**FFAS8614-000500BFO (AC)
FFAS8604-000500BFO (DC)**

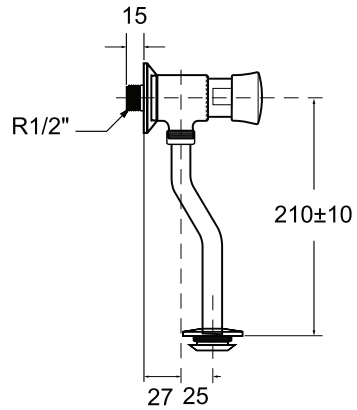
Infrared sensor distance
40 to 60 cm
Pre-flush 1.5s, Post flush 8s, Auto
flush 24 hrs
4 AA alkaline batteries or 220V
AC; multiple connection with 1 AC
supply- 3 pcs



Exposed Urinal Flush Valve

FFAS9859-001500BFO

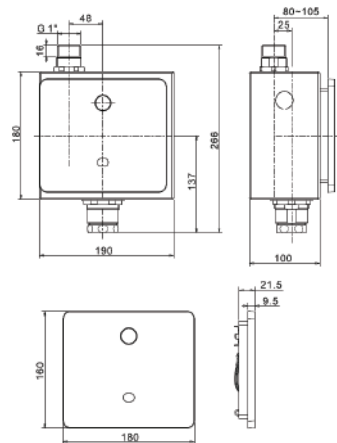
1/2" inlet with control cap and
flush pipe connection
Adjustable flow rate



Senseflow II Concealed Sensor Toilet FV

**FFAS8703-000500BCO (DC)
FFAS8713-000500BCO (AC)**

Infrared Sensor , flush automatically
after 5s , Power : DC 6V ,AC 220 V,
50Hz alkaline battery Sensor detect
distance: 40-70 adjustable, preset
at 50cm Detect time: more than 5s
flush volume: 6LPF@0.1PMa,



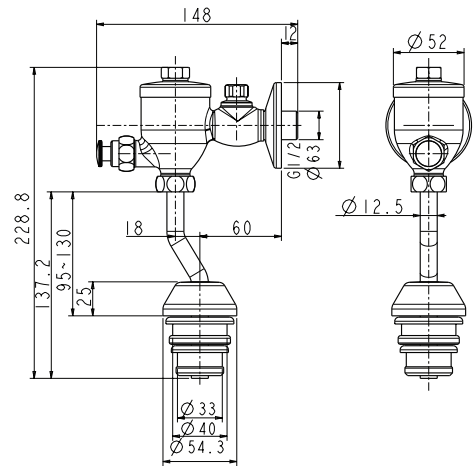
FLUSH VALVES (URINAL)



Exposed Urinal Flush Valve

FFAS9802-009500BF0

1/2" inlet with shut off valve, adjustable flow volume and flush pipe connection

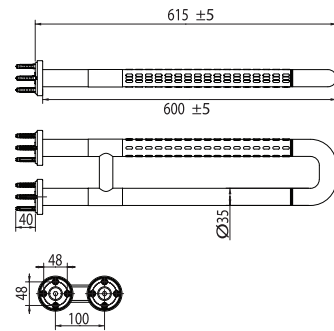


GRAB BARS



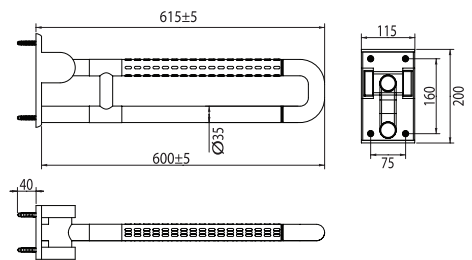
Nylon Grab Bar

FFAS9402-000040BC0



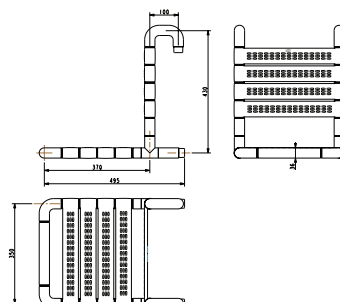
Turnup Nylon Grab Bar

FFAS9401-000040BC0



Shower Nylon Chair

FFAS9407-000040BC0

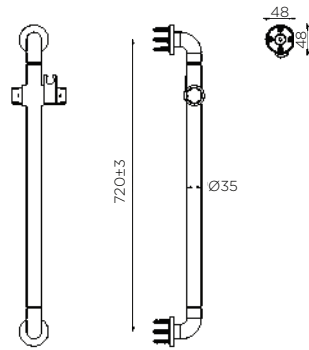


GRAB BARS



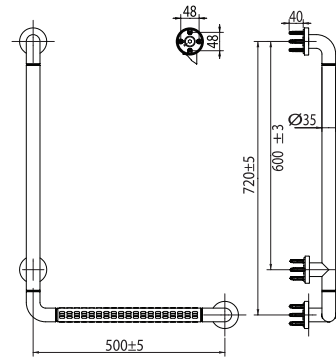
Shower Nylon Grab Bar

FFAS9406-000040BC0



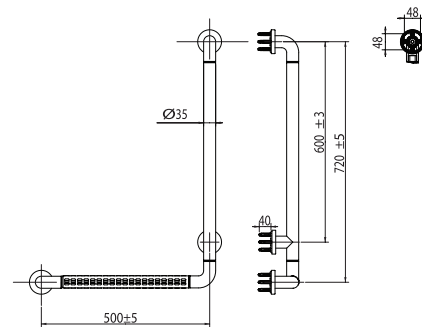
L-Shaped Nylon Grab Bar (Right)

FFAS9405-000040BC0



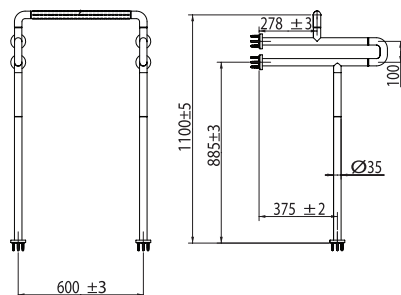
L-Shaped Nylon Grab Bar (Left)

FFAS9404-000040BC0



Floor Stand Nylon Grab Bar

FFAS9403-000040BC0



SOAP DISPENSERS



Automatic Soap Dispenser

FFAS8006-010090BFO

HAND DRYERS



Hand Dryer

FFAS8017-000230BA0

High speed hand dryer
220V/50Hz
1000W



Hand Dryer

FFAS8017-000090BA0

High speed hand dryer
220V/50Hz
1000W

KITCHEN FAUCETS

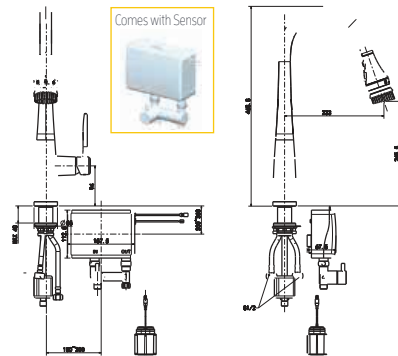


Edgewater



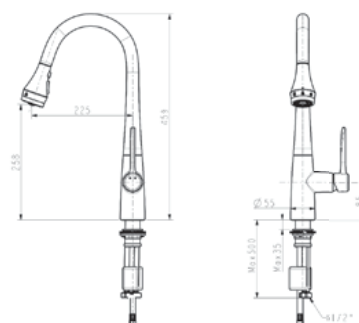
FFAS5644-5015LOBFO

Sensor Kitchen Faucet Chrome
5 Function DC, Function



FFAS5634-5015LOBFO

Kitchen Faucet 5 Function



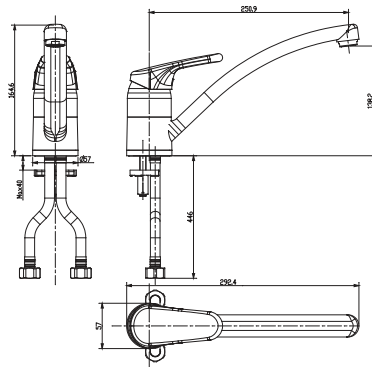
Kitchen Faucets



Ceraplan

FFAS5637-501500BFO

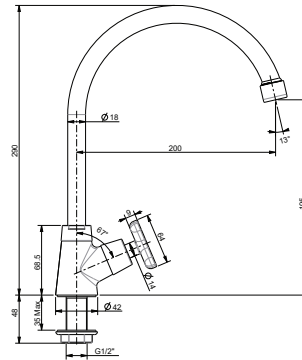
Deck Mounted Kitchen Mixer



Winston

FFAST706-501500BFO

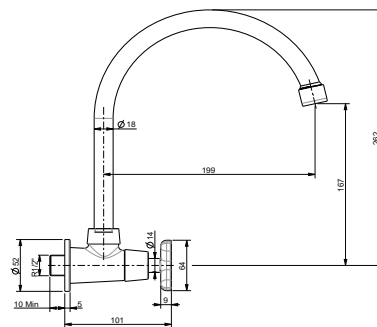
Deck Mounted Kitchen Tap
(Cross Handle)



Winston

FFAST707-501500BFO

Wall Mount Kitchen Tap
(Cross Handle)



Disappears into the wall



Universal Installation Box/ FFAS0625-000990BF0

American Standard now offers you a stylish and flexible installation to help achieve your dream bathroom. The Universal Box cleverly disappears into the wall, saving you space and allowing you to update your bathroom with beautiful concealed shower fittings. Because we understand those shower fittings that are flushed with the wall equal a more inviting space. We want you to have more room to move around in your bathroom, for that is your own divine relaxation space.

Besides allowing you to alternate mixer designs efficiently, the Universal box is suitable for different types of walls from thick to dry walls, as well as pre-fabricated housing systems. You can even install the Universal Box first, and decide on a mixer design at a later stage. The Universal Box offers you the freedom of choice, and is compatible with designs ranging from shower mixers to bath & shower mixers and thermostatic mixers.

Easy to install and maintain, this concealed installation provides greater flexibility for anyone building, planning or just looking to renovate.

Not only will you love it for the flawless look it produces, but your plumbers and guests will too.

Hidden from sight. Never cramping your style.

Compatible With Acacia E, Nobile, La Moda, KASTELLO Bath & Shower Diverters

Besides allowing you to alternate mixer designs efficiently, the Universal box is suitable for different types of walls from thick to dry walls, as well as pre-fabricated housing systems. You can even install the Universal Box first, and decide on a mixer design at a later stage. The Universal Box offers you the freedom of choice, and is compatible with designs ranging from shower mixers to bath & shower mixers and thermostatic mixers.

Easy to install and maintain, this concealed installation provides greater flexibility for anyone building, planning or just looking to renovate.

Not only will you love it for the flawless look it produces, but your plumbers and guests will too.

Hidden from sight. Never cramping your style.



PROJECT REFERENCES



A showcase of our bathroom collections from some of our satisfied global clients.



Four Points by Sheraton - Penghu, Taiwan



Crowne Plaza Tainan - Taiwan



Concorde Hotel - Singapore



Taiping Lake Resort - Anhui, China



Media Center Phoenix Hotel Dalian - Liaoning, China



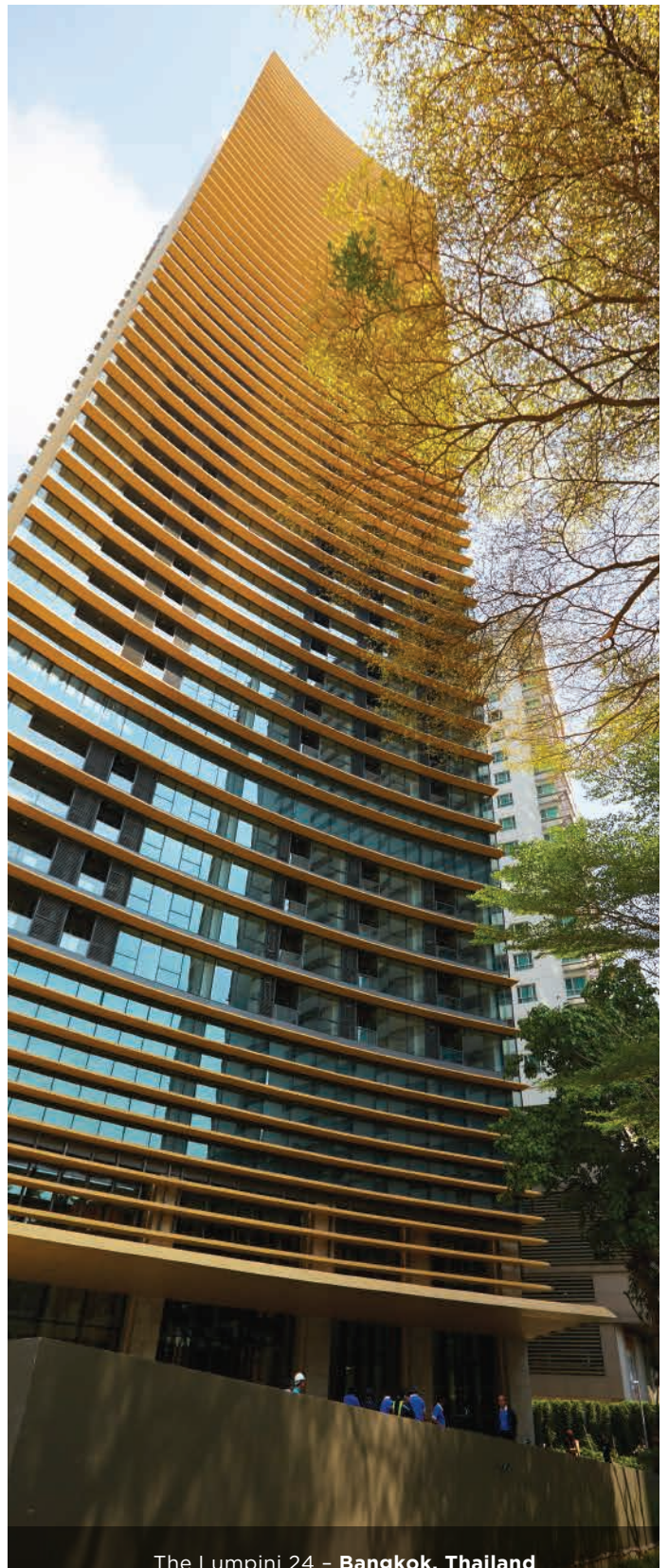
Sunshine Intl. Hotel Xiangxi - Hunan, China



Xian Paradise Hotel of Han Dynasty - Shanxi, China



The Central - Changsha, China



The Lumpini 24 - Bangkok, Thailand



Grande Centre Point Sukhumvit 55 - Bangkok, Thailand



Grande Centre Point Terminal 21 - Bangkok, Thailand



Incheon International Airport - Incheon, South Korea



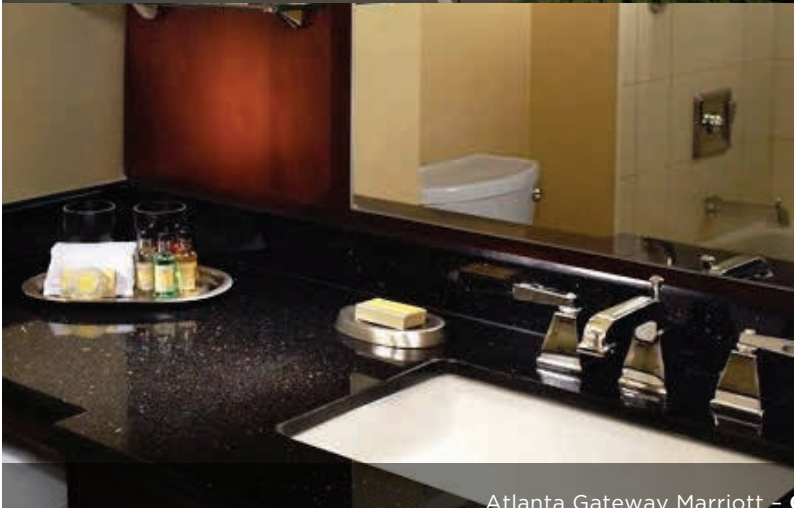
Okada Manila - Manila, Philippines



The Myst Dong Khoi Hotel - Ho Chi Minh City, Vietnam



Loews Miami - Miami, Florida, USA



Atlanta Gateway Marriott - Georgia, USA



Texas Children's Hospital: Pavilion for Women - Houston, Texas, USA

American Standard
Raising The Standard

PART OF **LIXIL**

LIXILIndia Private Limited

10th floor, Bani Address One, Golf Course Road,
Sector-56, Gurugram-122 011

☎ 1800 102 8372 | www.americanstandard.in



/americanstandardindia



/americanstandard_ind